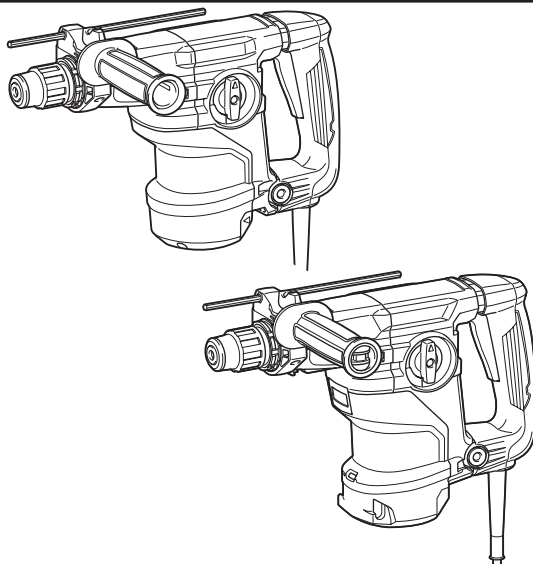
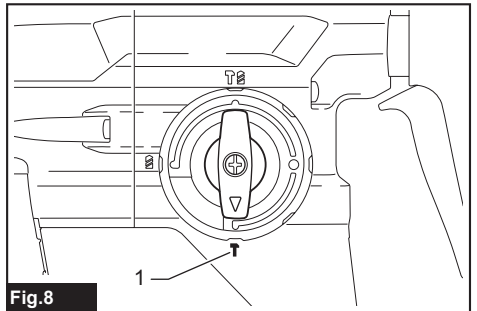
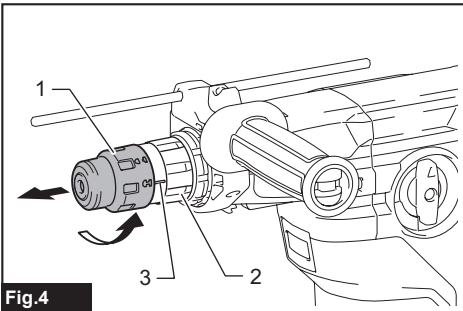
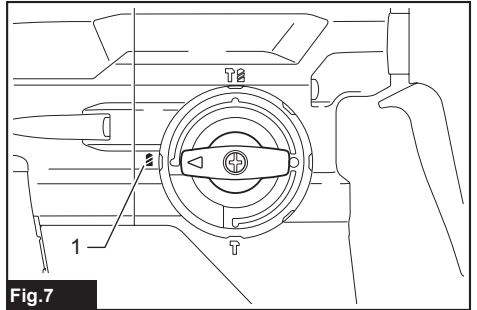
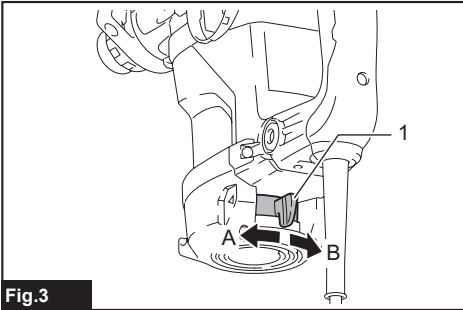
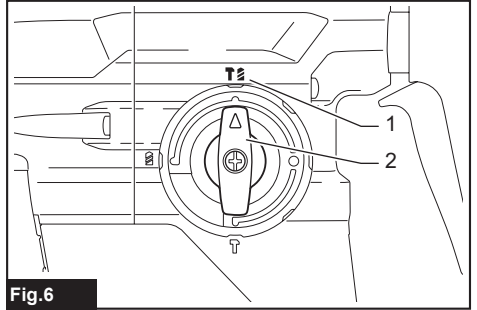
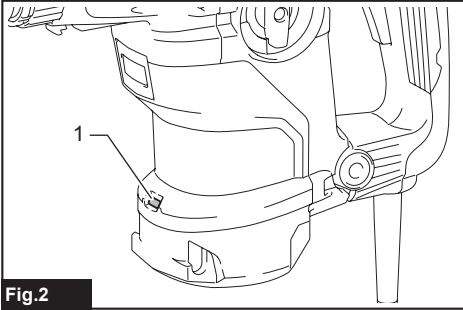
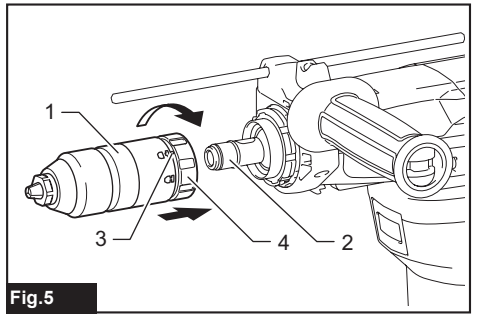
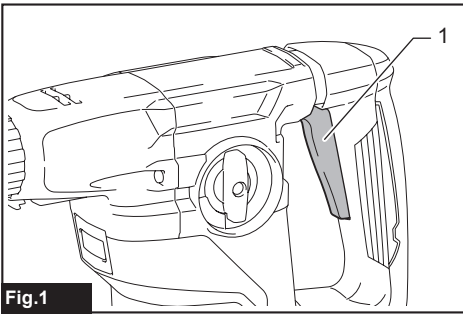




<b>EN</b>	Combination Hammer	<b>INSTRUCTION MANUAL</b>	<b>9</b>
<b>SL</b>	Kombinirano kladivo	<b>NAVODILA ZA UPORABO</b>	<b>17</b>
<b>SQ</b>	Çekiç me kombinim	<b>MANUALI I PËRDORIMIT</b>	<b>26</b>
<b>BG</b>	Комбиниран перфоратор	<b>РЪКОВОДСТВО ЗА ЕКСПЛОАТАЦИЯ</b>	<b>35</b>
<b>HR</b>	Kombinirani čekić	<b>PRIRUČNIK S UPUTAMA</b>	<b>45</b>
<b>MK</b>	Комбинирана чекан-дупчалка	<b>УПАТСТВО ЗА УПОТРЕБА</b>	<b>54</b>
<b>SR</b>	Комбиновани чекић	<b>УПУТСТВО ЗА УПОТРЕБУ</b>	<b>64</b>
<b>RO</b>	Ansamblu percutor multifuncțional	<b>MANUAL DE INSTRUCȚIUNI</b>	<b>73</b>
<b>UK</b>	Перфоратор	<b>ІНСТРУКЦІЯ З ЕКСПЛУАТАЦІЇ</b>	<b>82</b>
<b>RU</b>	Трехрежимный перфоратор	<b>РУКОВОДСТВО ПО ЭКСПЛУАТАЦИИ</b>	<b>92</b>

**HR3011FC**  
**HR3012FC**  
**HR3001C**





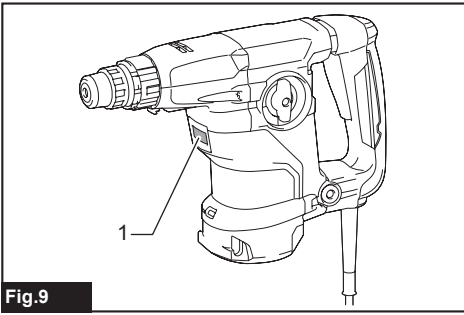


Fig.9

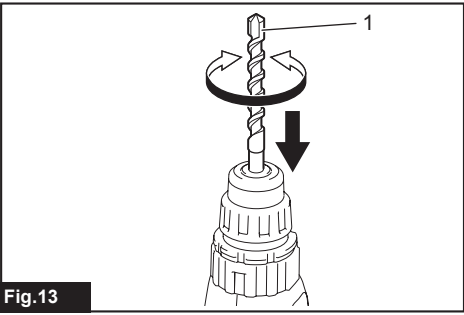


Fig.13

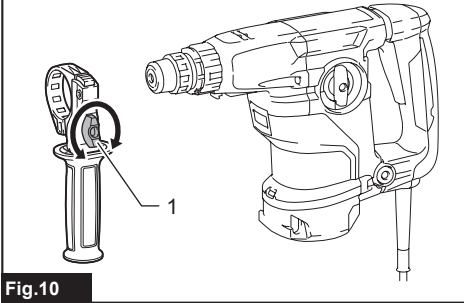


Fig.10

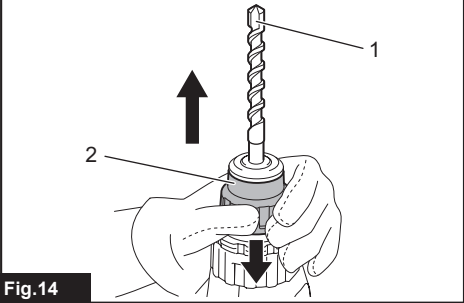


Fig.14

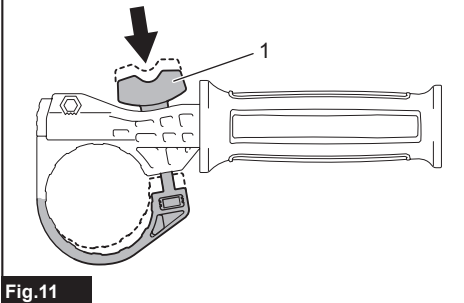


Fig.11

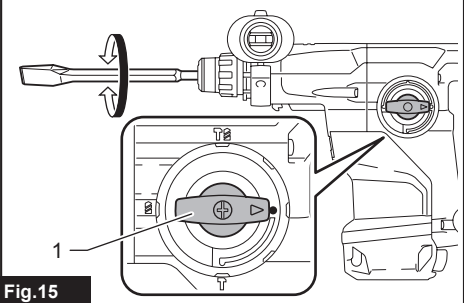


Fig.15

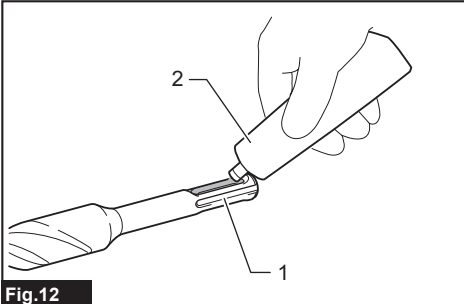


Fig.12

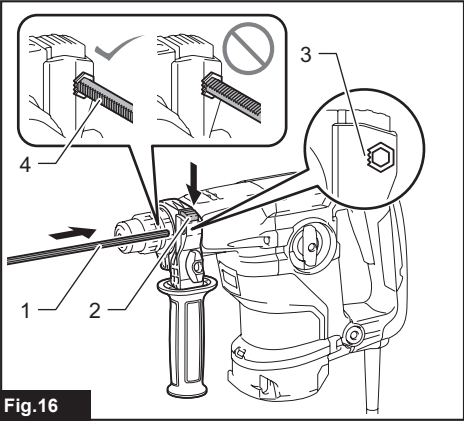
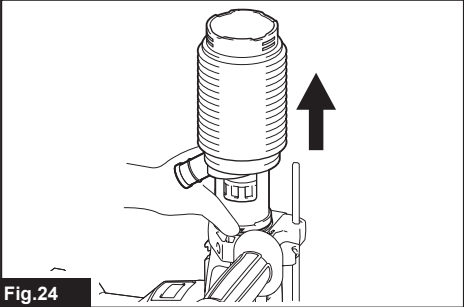
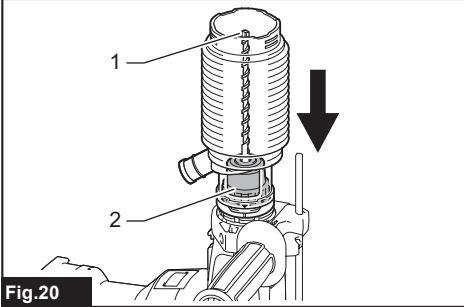
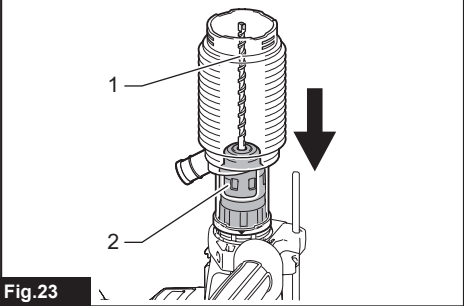
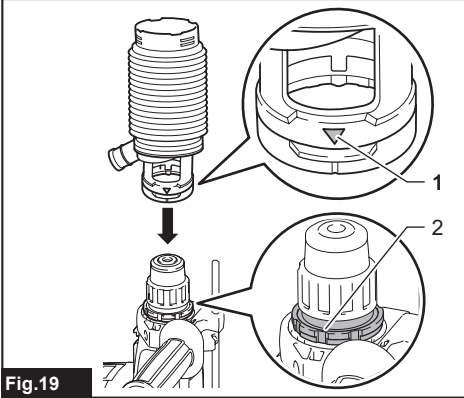
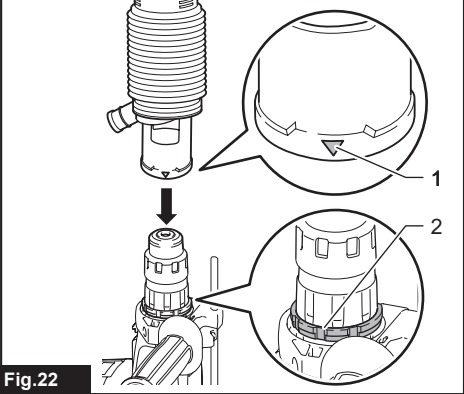
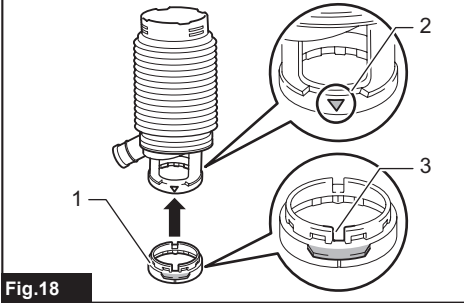
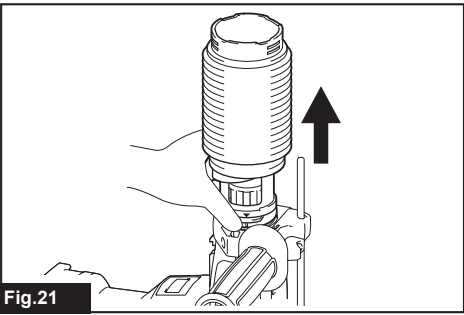
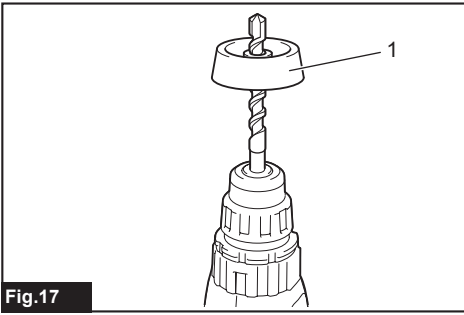


Fig.16



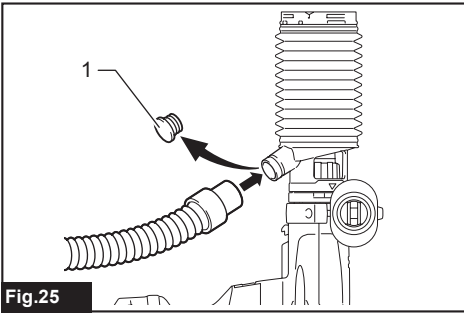


Fig.25

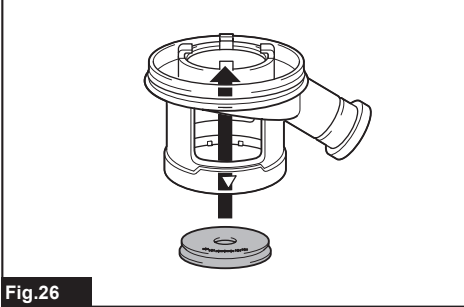


Fig.26

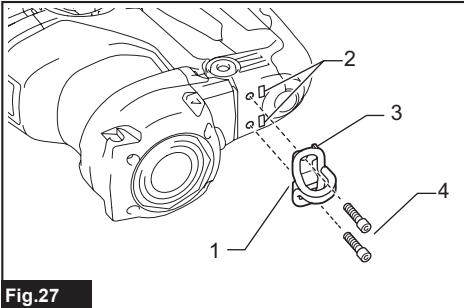


Fig.27

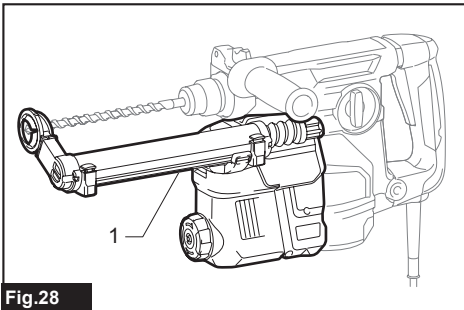


Fig.28

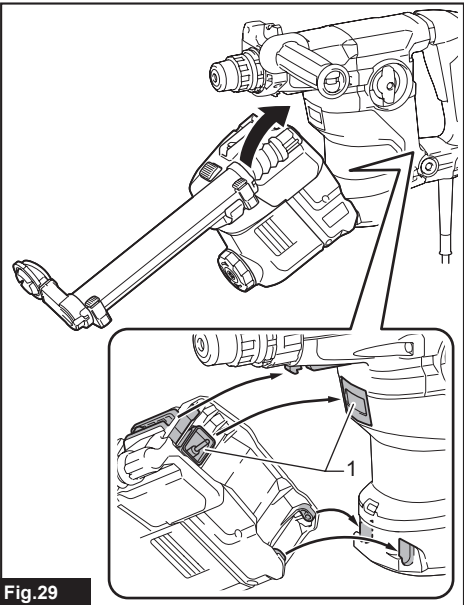


Fig.29

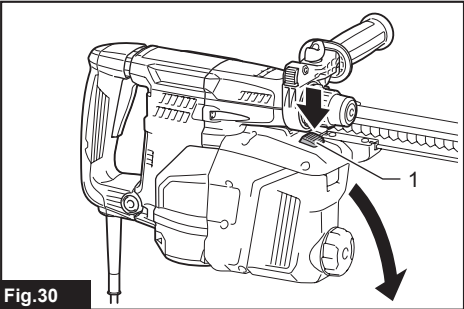


Fig.30

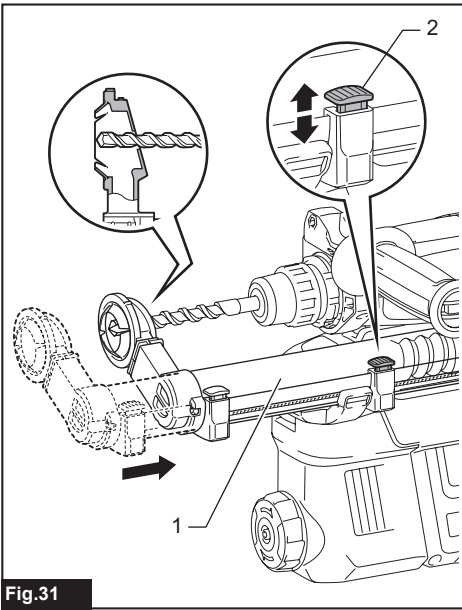


Fig.31

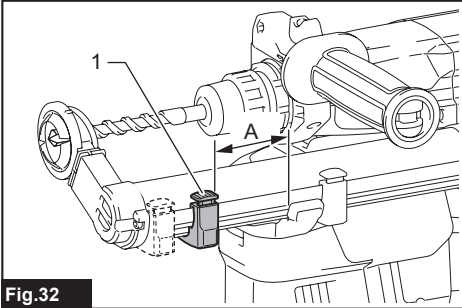


Fig.32

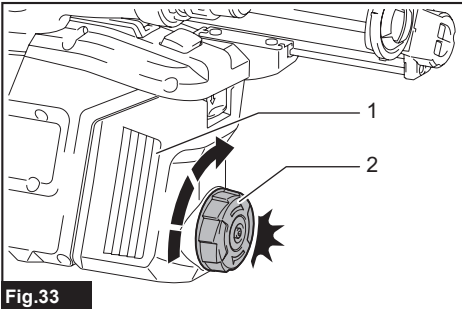


Fig.33

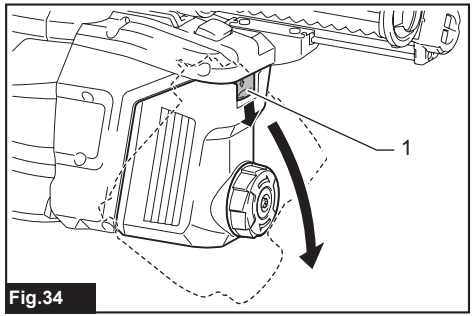


Fig.34

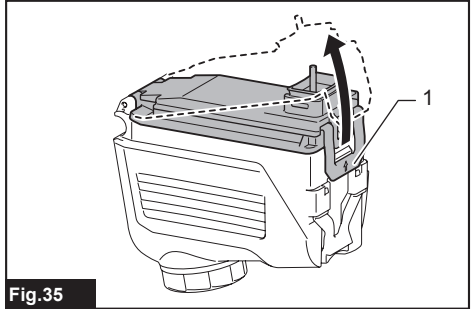


Fig.35

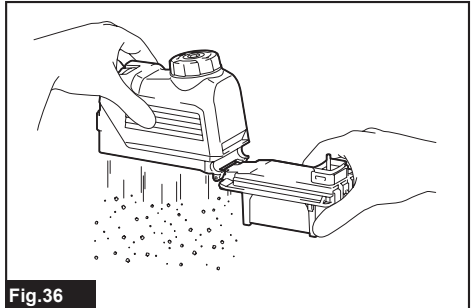


Fig.36

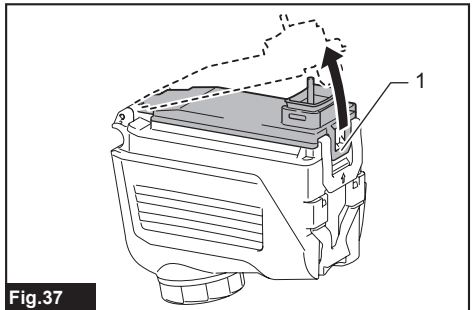


Fig.37

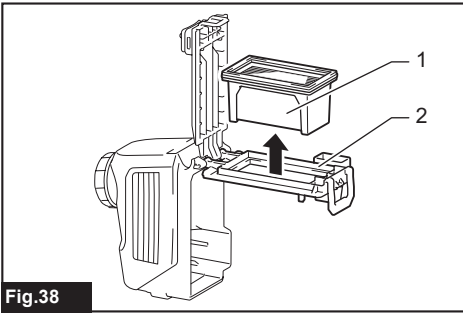


Fig.38

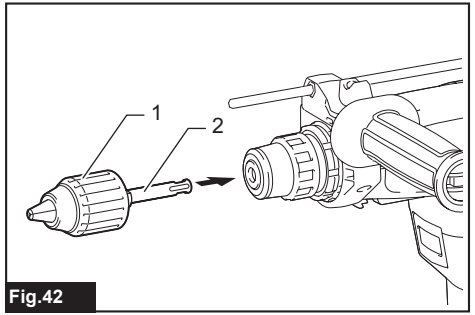


Fig.42

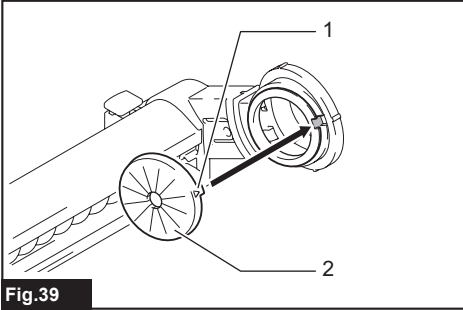


Fig.39

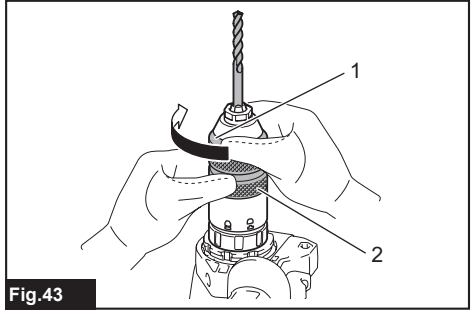


Fig.43

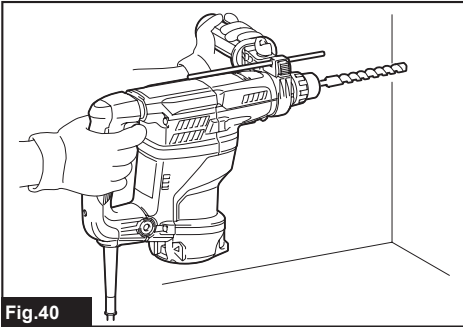


Fig.40

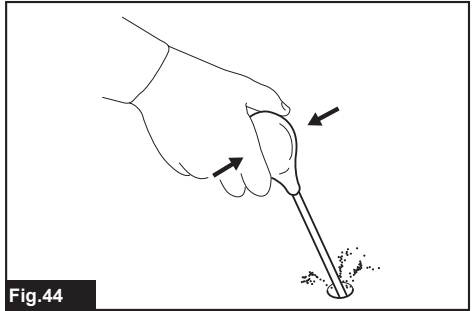


Fig.44

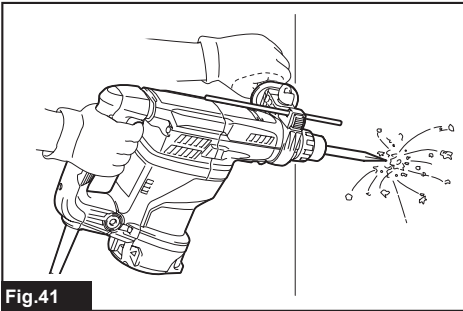


Fig.41

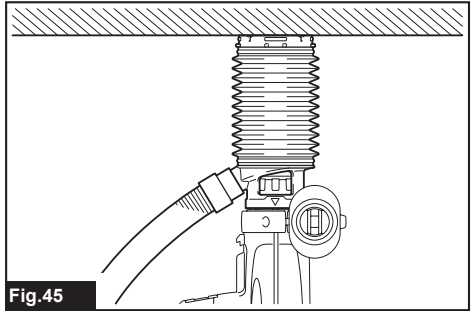
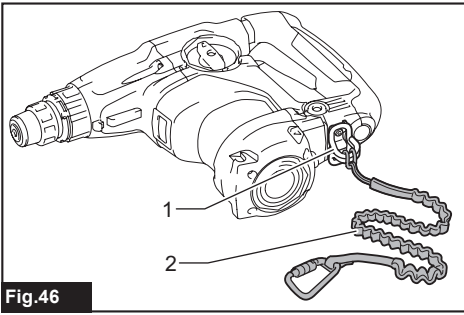


Fig.45



**Fig.46**



# SPECIFICATIONS

Model:		HR3011FC	HR3012FC	HR3001C
Capacities	Concrete	30 mm		
	Core bit	80 mm		
	Diamond core bit (dry type)	80 mm		
	Steel	13 mm		
	Wood	32 mm		
No load speed		0 - 840 min <sup>-1</sup>		
Blows per minute		0 - 4,500 min <sup>-1</sup>		
Overall length		369 mm	386 mm	369 mm
Net weight		4.4 - 4.8 kg	4.5 - 4.8 kg	4.1 - 4.6 kg
Safety class		☐/II		

## Optional accessory

Model:	DX10 (For HR3011FC)	DX11 (For HR3012FC)
Applicable workpiece and workmode	for concrete drilling only (not for metal or wood, and not for core drilling or chiseling)	
Suction performance	0.35 l/min	
Operating stroke	Up to 190 mm	
Suitable drill bit	Up to 265 mm	
Net weight	1.2 kg	

- Due to our continuing program of research and development, the specifications herein are subject to change without notice.
- Specifications may differ from country to country.
- The weight may differ depending on the attachment(s). The lightest and heaviest combination, according to EPTA-Procedure 01/2014, are shown in the table.

## Intended use

The tool is intended for hammer drilling and drilling in brick, concrete and stone as well as for chiselling work. It is also suitable for drilling without impact in wood, metal, ceramic and plastic.

## Power supply

The tool should be connected only to a power supply of the same voltage as indicated on the nameplate, and can only be operated on single-phase AC supply. They are double-insulated and can, therefore, also be used from sockets without earth wire.

## Noise

The typical A-weighted noise level determined according to EN60745-2-6:

### Model HR3011FC

Sound pressure level ( $L_{pA}$ ) : 94 dB(A)  
 Sound power level ( $L_{WA}$ ) : 105 dB (A)  
 Uncertainty (K) : 3 dB(A)

### Model HR3012FC

Sound pressure level ( $L_{pA}$ ) : 93 dB(A)  
 Sound power level ( $L_{WA}$ ) : 104 dB (A)  
 Uncertainty (K) : 3 dB(A)

### Model HR3001C

Sound pressure level ( $L_{pA}$ ) : 94 dB(A)  
 Sound power level ( $L_{WA}$ ) : 105 dB (A)  
 Uncertainty (K) : 3 dB(A)

### Model HR3011FC with DX10

Sound pressure level ( $L_{pA}$ ) : 96 dB(A)  
 Sound power level ( $L_{WA}$ ) : 107 dB (A)  
 Uncertainty (K) : 3 dB(A)

### Model HR3012FC with DX11

Sound pressure level ( $L_{pA}$ ) : 94 dB(A)  
 Sound power level ( $L_{WA}$ ) : 105 dB (A)  
 Uncertainty (K) : 3 dB(A)

**NOTE:** The declared noise emission value(s) has been measured in accordance with a standard test method and may be used for comparing one tool with another.

**NOTE:** The declared noise emission value(s) may also be used in a preliminary assessment of exposure.

**⚠ WARNING: Wear ear protection.**

**⚠ WARNING: The noise emission during actual use of the power tool can differ from the declared value(s) depending on the ways in which the tool is used especially what kind of workpiece is processed.**

**⚠ WARNING: Be sure to identify safety measures to protect the operator that are based on an estimation of exposure in the actual conditions of use (taking account of all parts of the operating cycle such as the times when the tool is switched off and when it is running idle in addition to the trigger time).**

## Vibration

The following table shows the vibration total value (tri-axial vector sum) determined according to applicable standard.

### Model HR3011FC

Work mode	Vibration emission	Uncertainty (K)	Applicable standard
Hammer drilling into concrete ( $a_{h, HD}$ )	9.5 m/s <sup>2</sup>	1.5 m/s <sup>2</sup>	EN60745-2-6
Hammer drilling into concrete with DX10 ( $a_{h, HD}$ )	9.5 m/s <sup>2</sup>	1.5 m/s <sup>2</sup>	EN60745-2-6
Chiselling function with side grip ( $a_{h, Chseq}$ )	6.0 m/s <sup>2</sup>	1.5 m/s <sup>2</sup>	EN60745-2-6
Drilling into metal ( $a_{h, D}$ )	5.5 m/s <sup>2</sup>	1.5 m/s <sup>2</sup>	EN62841-2-1

### Model HR3012FC

Work mode	Vibration emission	Uncertainty (K)	Applicable standard
Hammer drilling into concrete ( $a_{h, HD}$ )	9.5 m/s <sup>2</sup>	1.5 m/s <sup>2</sup>	EN60745-2-6
Hammer drilling into concrete with DX11 ( $a_{h, HD}$ )	8.0 m/s <sup>2</sup>	1.5 m/s <sup>2</sup>	EN60745-2-6
Chiselling function with side grip ( $a_{h, Chseq}$ )	5.5 m/s <sup>2</sup>	1.5 m/s <sup>2</sup>	EN60745-2-6
Drilling into metal ( $a_{h, D}$ )	6.0 m/s <sup>2</sup>	1.5 m/s <sup>2</sup>	EN62841-2-1

### Model HR3001C

Work mode	Vibration emission	Uncertainty (K)	Applicable standard
Hammer drilling into concrete ( $a_{h, HD}$ )	13.5 m/s <sup>2</sup>	1.5 m/s <sup>2</sup>	EN60745-2-6
Chiselling function with side grip ( $a_{h, Chseq}$ )	11.0 m/s <sup>2</sup>	1.5 m/s <sup>2</sup>	EN60745-2-6
Drilling into metal ( $a_{h, D}$ )	6.0 m/s <sup>2</sup>	1.5 m/s <sup>2</sup>	EN62841-2-1

**NOTE:** The declared vibration total value(s) has been measured in accordance with a standard test method and may be used for comparing one tool with another.

**NOTE:** The declared vibration total value(s) may also be used in a preliminary assessment of exposure.

**⚠ WARNING: The vibration emission during actual use of the power tool can differ from the declared value(s) depending on the ways in which the tool is used especially what kind of workpiece is processed.**

**⚠ WARNING: Be sure to identify safety measures to protect the operator that are based on an estimation of exposure in the actual conditions of use (taking account of all parts of the operating cycle such as the times when the tool is switched off and when it is running idle in addition to the trigger time).**

## EC Declaration of Conformity

### For European countries only

The EC declaration of conformity is included as Annex A to this instruction manual.

## SAFETY WARNINGS

### General power tool safety warnings

**⚠ WARNING: Read all safety warnings, instructions, illustrations and specifications provided with this power tool.** Failure to follow all instructions listed below may result in electric shock, fire and/or serious injury.

### Save all warnings and instructions for future reference.

The term "power tool" in the warnings refers to your mains-operated (corded) power tool or battery-operated (cordless) power tool.

## ROTARY HAMMER SAFETY WARNINGS

1. **Wear ear protectors.** Exposure to noise can cause hearing loss.
2. **Use auxiliary handle(s), if supplied with the tool.** Loss of control can cause personal injury.
3. **Hold power tool by insulated gripping surfaces, when performing an operation where the cutting accessory may contact hidden wiring or its own cord.** Cutting accessory contacting a "live" wire may make exposed metal parts of the power tool "live" and could give the operator an electric shock.
4. **Wear a hard hat (safety helmet), safety glasses and/or face shield.** Ordinary eye or sun glasses are NOT safety glasses. It is also highly recommended that you wear a dust mask and thickly padded gloves.
5. **Be sure the bit is secured in place before operation.**
6. **Under normal operation, the tool is designed to produce vibration.** The screws can come loose easily, causing a breakdown or accident. Check tightness of screws carefully before operation.

7. In cold weather or when the tool has not been used for a long time, let the tool warm up for a while by operating it under no load. This will loosen up the lubrication. Without proper warm-up, hammering operation is difficult.
8. Always be sure you have a firm footing. Be sure no one is below when using the tool in high locations.
9. Hold the tool firmly with both hands.
10. Keep hands away from moving parts.
11. Do not leave the tool running. Operate the tool only when hand-held.
12. Do not point the tool at any one in the area when operating. The bit could fly out and injure someone seriously.
13. Do not touch the bit, parts close to the bit, or workpiece immediately after operation; they may be extremely hot and could burn your skin.
14. Some material contains chemicals which may be toxic. Take caution to prevent dust inhalation and skin contact. Follow material supplier safety data.
15. Do not touch the power plug with wet hands.

## SAVE THESE INSTRUCTIONS.

**⚠ WARNING:** DO NOT let comfort or familiarity with product (gained from repeated use) replace strict adherence to safety rules for the subject product. MISUSE or failure to follow the safety rules stated in this instruction manual may cause serious personal injury.

## FUNCTIONAL DESCRIPTION

**⚠ CAUTION:** Always be sure that the tool is switched off and unplugged before adjusting or checking function on the tool.

### Switch action

**⚠ CAUTION:** Before plugging in the tool, always check to see that the switch trigger actuates properly and returns to the "OFF" position when released.

To start the tool, simply pull the switch trigger. Tool speed is increased by increasing pressure on the switch trigger. Release the switch trigger to stop.

► Fig.1: 1. Switch trigger

### Lighting up the front lamp

For HR3011FC, HR3012FC only

**⚠ CAUTION:** Do not look in the light or see the source of light directly.

To turn on the lamp, pull the switch trigger. Release the switch trigger to turn it off.

► Fig.2: 1. Lamp

**NOTE:** Use a dry cloth to wipe the dirt off the lens of the lamp. Be careful not to scratch the lens of lamp, or it may lower the illumination.

## Reversing switch action

**⚠ CAUTION:** Always check the direction of rotation before operation.

**⚠ CAUTION:** Use the reversing switch only after the tool comes to a complete stop. Changing the direction of rotation before the tool stops may damage the tool.

**NOTICE:** When changing the direction of rotation, be sure to fully set the reversing switch to A side or B side. Otherwise, when the switch trigger is pulled, the motor may not rotate or the tool may not work properly.

This tool has a reversing switch to change the direction of rotation. Move the reversing switch lever to the position A side for clockwise rotation or to the position B side for counterclockwise rotation.

► Fig.3: 1. Reversing switch lever



## Changing the quick change chuck for SDS-plus

For HR3012FC only

The quick change chuck for SDS-plus can be easily exchanged for the quick change drill chuck.




### Removing the quick change chuck for SDS-plus

**⚠ CAUTION:** Before removing the quick change chuck for SDS-plus, be sure to remove the bit.

Grasp the change cover of the quick change chuck for SDS-plus and turn in the direction of the arrow until the change cover line moves from the  symbol to the  symbol. Pull forcefully in the direction of the arrow.

► Fig.4: 1. Quick change chuck for SDS-plus  
2. Change cover 3. Change cover line

### Installing the quick change drill chuck

Check the line of the quick change drill chuck shows the  symbol. Grasp the change cover of the quick change drill chuck and set the line to the  symbol. Place the quick change drill chuck on the spindle of the tool. Grasp the change cover of the quick change drill chuck and turn the change cover line to the  symbol until a click can clearly be heard.


► Fig.5: 1. Quick change drill chuck 2. Spindle  
3. Change cover line 4. Change cover

## Selecting the action mode

**NOTICE:** Do not rotate the action mode changing knob when the tool is running. The tool will be damaged.


**NOTICE:** To avoid rapid wear on the mode change mechanism, be sure that the action mode changing knob is always positively located in one of the three action mode positions.

## Rotation with hammering

For drilling in concrete, masonry, etc., rotate the action mode changing knob to the  symbol. Use a tungsten-carbide tipped bit (optional accessory).


► **Fig.6:** 1. Rotation with hammering 2. Action mode changing knob

## Rotation only

For drilling in wood, metal or plastic materials, rotate the action mode changing knob to the  symbol. Use a twist drill bit or wood drill bit.

► **Fig.7:** 1. Rotation only

## Hammering only

For chipping, scaling or demolition operations, rotate the action mode changing knob to the  symbol. Use a bull point, cold chisel, scaling chisel, etc.

► **Fig.8:** 1. Hammering only

## Torque limiter

**NOTICE:** As soon as the torque limiter actuates, switch off the tool immediately. This will help prevent premature wear of the tool.

**NOTICE:** Drill bits such as hole saw, which tend to pinch or catch easily in the hole, are not appropriate for this tool. This is because they will cause the torque limiter to actuate too frequently.

The torque limiter will actuate when a certain torque level is reached. The motor will disengage from the output shaft. When this happens, the drill bit will stop turning.

## Electronic function

The tool is equipped with the electronic functions for easy operation.

- Constant speed control  
The speed control function provides the constant rotation speed regardless of load conditions.

## Air duct

For HR3011FC, HR3012FC only

**CAUTION:** Do not put your finger into the air duct or do not insert any other object into the air duct. Otherwise you may get injured or the tool may get damaged.

The air duct is to connect to the dust collection system. When using the dust collection system, read the section about the dust collection system.

► **Fig.9:** 1. Air duct

## ASSEMBLY

**CAUTION:** Always be sure that the tool is switched off and unplugged before carrying out any work on the tool.

## Side grip (auxiliary handle)

**CAUTION:** Always use the side grip to ensure safe operation.

**CAUTION:** After installing or adjusting the side grip, make sure that the side grip is firmly secured.

To install the side grip, follow the steps below.

1. Loosen the thumb screw on the side grip.

► **Fig.10:** 1. Thumb screw

2. Attach the side grip while pressing the thumb screw so that the grooves on the grip fit in the protrusions on the tool barrel.

► **Fig.11:** 1. Thumb screw

3. Tighten the thumb screw to secure the grip. The grip can be fixed at desired angle.

## Grease

Coat the shank end of the drill bit beforehand with a small amount of grease (about 0.5 - 1 g). This chuck lubrication assures smooth action and longer service life.

## Installing or removing drill bit

Clean the shank end of the drill bit and apply grease before installing the drill bit.

► **Fig.12:** 1. Shank end 2. Grease

Insert the drill bit into the tool. Turn the drill bit and push it in until it engages.


After installing the drill bit, always make sure that the drill bit is securely held in place by trying to pull it out.

► **Fig.13:** 1. Drill bit


To remove the drill bit, pull the chuck cover down all the way and pull the drill bit out.

► **Fig.14:** 1. Drill bit 2. Chuck cover

## Chisel angle (when chipping, scaling or demolishing)

The chisel can be secured at the desired angle. To change the chisel angle, rotate the action mode changing knob to the  symbol. Turn the chisel to the desired angle.

► **Fig.15:** 1. Action mode changing knob

Rotate the action mode changing knob to the  symbol. Then make sure that the chisel is securely held in place by turning it slightly.

## Depth gauge

The depth gauge is convenient for drilling holes of uniform depth. Press and hold the lock button, and then insert the depth gauge into the hex hole. Make sure that the toothed side of the depth gauge faces the marking.

► **Fig.16:** 1. Depth gauge 2. Lock button 3. Marking 4. Toothed side

Adjust the depth gauge by moving it back and forth while pressing the lock button. After the adjustment, release the lock button to lock the depth gauge.

**NOTE:** Make sure that the depth gauge does not touch the main body of the tool when attaching it.

## Dust cup

### Optional accessory

Use the dust cup to prevent dust from falling over the tool and on yourself when performing overhead drilling operations. Attach the dust cup to the bit as shown in the figure. The size of bits which the dust cup can be attached to is as follows.

Model	Bit diameter
Dust cup 5	6 mm - 14.5 mm
Dust cup 9	12 mm - 16 mm

► **Fig.17:** 1. Dust cup

## Dust cup set

### Optional accessory

### For Models HR3011FC, HR3001C

**NOTICE:** When using the dust cup set in HR3011FC, HR3001C, the spacer is also required.

Before installing the dust cup set, remove the bit from the tool if installed.

Attach the spacer to the dust cup set.  $\triangle$  symbol on the dust cup is aligned with the groove in the spacer.

► **Fig.18:** 1. Spacer 2.  $\triangle$  symbol 3. Groove

Install the dust cup set with the spacer on the tool so that the  $\triangle$  symbol on the dust cup is aligned with the groove in the tool.

► **Fig.19:** 1.  $\triangle$  symbol 2. Groove

To remove the dust cup set, remove the bit while pulling the chuck cover in the direction of the arrow.

► **Fig.20:** 1. Bit 2. Chuck cover

Hold the spacer and pull it out.

► **Fig.21**

### For Model HR3012FC

Before installing the dust cup set, remove the bit from the tool if installed.

Install the dust cup set on the tool so that the  $\triangle$  symbol on the dust cup is aligned with the groove in the tool.

► **Fig.22:** 1.  $\triangle$  symbol 2. Groove

To remove the dust cup set, remove the bit while pulling the chuck cover in the direction of the arrow.

► **Fig.23:** 1. Bit 2. Chuck cover

Hold the root of dust cup and pull it out.

► **Fig.24**

**NOTE:** If you connect a vacuum cleaner to the dust cup set, remove the dust cap before connecting it.

► **Fig.25:** 1. Dust cap

**NOTE:** If the cap comes off from the dust cup, attach it with its printed side facing up so that groove on the cap fits in the inside periphery of the attachment.

► **Fig.26**

## Tool hanger

### Optional accessory

**⚠WARNING:** Do not use damaged tool hanger and screw.

**⚠WARNING:** Use the screw provided with the tool hanger only.

**⚠WARNING:** Before using the tool hanger, check for damages, cracks or deformations, and make sure that the screw is tightened.

**⚠CAUTION:** Install or remove the tool hanger on a stable table or surface.

The tool hanger is intended for connecting the lanyard (tether strap). To install the tool hanger to the tool, follow the steps below.

1. Disconnect the plug from the power source.
2. Insert the projections of the tool hanger into the holes on the tool.
3. Tighten the screws firmly.

► **Fig.27:** 1. Tool hanger 2. Hole 3. Projection 4. Screw

## DUST COLLECTION SYSTEM

### For HR3011FC, HR3012FC only

### Optional accessory

The dust collection system is designed to collect dusts effectively when the concrete drilling operation.

► **Fig.28:** 1. Dust collection system

**⚠CAUTION:** Make sure that the tool is switched off and unplugged before carrying out any work on the tool. Failure to do so may result in personal injury from accidental start-up.

**⚠CAUTION:** Always attach the filter to the dust collection system. Failure to do so cause dust inhalation.

**⚠CAUTION:** Check that the filter is not damaged. Failure to do so may cause dust inhalation.

**NOTICE:** Do not use the dust collection system for core drilling or chiseling. The dust collection system is intended for drilling only.

**NOTICE:** Do not use the dust collection system for metal or wood. The dust collection system is intended for concrete only.

**NOTICE:** Do not use the dust collection system for drilling in wet concrete or use this system in wet environment. Failure to do so may cause malfunction.

**NOTE:** The dust collection system collects the generated dust at a considerable rate, but not all dust can be collected.

## Installing or removing the dust collection system

**NOTICE:** Before installing the dust collection system, clean the joint parts of the tool and the dust collection system.

Foreign matters on the joint parts may cause it difficult to install the dust collection system. Particularly the foreign matters on the electrical interface may cause malfunction.

If any dust remains on the air duct, the dust comes into the tool and causes jam in the airflow or breakage of the tool.

Hook the dust collection system on the tool, and then insert the dust collection system all the way, until it locks in place with a little double click.

After that, make sure that the dust collection system is securely installed.

► Fig.29: 1. Air duct

When removing the dust collection system, press the lock-off button.

► Fig.30: 1. Lock-off button

## Adjusting the nozzle position of the dust collection system

**CAUTION:** Do not point the nozzle at yourself or others when releasing the nozzle by pushing the guide adjustment button.

Push in the guide while pushing the guide adjustment button, and then release the guide adjustment button at the desired position.

► Fig.31: 1. Guide 2. Guide adjustment button

## Adjusting the drilling depth of the dust collection system

Slide the depth adjustment button to the desired position while pushing it. The distance (A) is the drilling depth.

► Fig.32: 1. Depth adjustment button

## Beating dust on the filter

**CAUTION:** Do not turn the dial on the dust case while the dust case is removed from the dust collection system. Doing so may cause dust inhalation.

**CAUTION:** Always switch off the tool when turning the dial on the dust case. Turning the dial while the tool is running may result in the loss of control of the tool.

By beating the dust on the filter inside the dust case, you can keep the vacuum efficiency and also reduce the number of times to dispose of the dust.

Turn the dial on the dust case three times after collecting every 50,000 mm<sup>3</sup> of dust or when you feel the vacuum performance declined.

**NOTE:** 50,000 mm<sup>3</sup> of dust equivalents to drilling 10 holes of  $\varnothing 10$  mm and 14 mm depth (2 holes of  $\varnothing 65''$  and 3/8" depth).

► Fig.33: 1. Dust case 2. Dial

## Disposing of dust

**CAUTION:** Wear dust mask when disposing of dust.

**CAUTION:** Empty the dust case regularly before the dust case becomes full. Failure to do so may decrease the dust collection performance, and then cause dust inhalation.

**CAUTION:** Replace the filter with new one after approximately 200 times of dust fulfillment as a guide. A clogged filter decreases dust collection performance, and then cause dust inhalation.

**NOTICE:** When cleaning the filter, tap the case of the filter gently by hand to remove dust. Do not tap the filter directly; touch the filter with brush or similar; or blow compressed air on the filter. Doing so may damage the filter.

1. Remove the dust case while pressing down the lever of the dust case.

► Fig.34: 1. Lever

2. Open the cover of the dust case.

► Fig.35: 1. Cover

3. Dispose of the dust, and then clean the filter.

► Fig.36

## Replacing filter of dust case

1. Remove the dust case while pressing down the lever of the dust case. (Refer to the section for disposing of dust.)

2. Open the filter cover of the dust case.

► Fig.37: 1. Filter cover

3. Remove the filter from the filter case.

► Fig.38: 1. Filter 2. Filter case

4. Attach a new filter to the filter case, and then attach the filter cover.

5. Close the cover of the dust case, and then attach the dust case to the dust collection system.

## Replacing sealing cap

If the sealing cap is worn out, the performance of the dust collection decreases. Replace it if it is worn out. Remove the sealing cap, and then attach a new one with its protrusion facing upward.

► **Fig.39:** 1. Protrusion 2. Sealing cap

## OPERATION

**CAUTION:** Always use the side grip (auxiliary handle) and firmly hold the tool by both side grip and switch handle during operations.

**CAUTION:** Always make sure that the workpiece is secured before operation.


**CAUTION:** Do not pull the tool out forcibly even the bit gets stuck. Loss of control may cause injury.

**CAUTION:** For HR3011FC, HR3012FC only  
Before using the dust collection system with the tool, read the section about the dust collection system.

► **Fig.40**

## Hammer drilling operation


**CAUTION:** There is tremendous and sudden twisting force exerted on the tool/drill bit at the time of hole break-through, when the hole becomes clogged with chips and particles, or when striking reinforcing rods embedded in the concrete. **Always use the side grip (auxiliary handle) and firmly hold the tool by both side grip and switch handle during operations.** Failure to do so may result in the loss of control of the tool and potentially severe injury.

Set the action mode changing knob to the  symbol. Position the drill bit at the desired location for the hole, then pull the switch trigger. Do not force the tool. Light pressure gives best results. Keep the tool in position and prevent it from slipping away from the hole.

Do not apply more pressure when the hole becomes clogged with chips or particles. Instead, run the tool at an idle, then remove the drill bit partially from the hole. By repeating this several times, the hole will be cleaned out and normal drilling may be resumed.

**NOTE:** Eccentricity in the drill bit rotation may occur while operating the tool with no load. The tool automatically centers itself during operation. This does not affect the drilling precision.

## Chipping/Scaling/Demolition

Set the action mode changing knob to the  symbol. Hold the tool firmly with both hands. Turn the tool on and apply slight pressure on the tool so that the tool will not bounce around, uncontrolled.

Pressing very hard on the tool will not increase the efficiency.

► **Fig.41**

## Drilling in wood or metal

**CAUTION:** Hold the tool firmly and exert care when the drill bit begins to break through the workpiece. There is a tremendous force exerted on the tool/drill bit at the time of hole break through.

**CAUTION:** A stuck drill bit can be removed simply by setting the reversing switch to reverse rotation in order to back out. However, the tool may back out abruptly if you do not hold it firmly.

**CAUTION:** Always secure workpieces in a vise or similar hold-down device.

**NOTICE:** Never use "rotation with hammering" when the drill chuck is installed on the tool. The drill chuck may be damaged.

Also, the drill chuck will come off when reversing the tool.

**NOTICE:** Pressing excessively on the tool will not speed up the drilling. In fact, this excessive pressure will only serve to damage the tip of your drill bit, decrease the tool performance and shorten the service life of the tool.

Set the action mode changing knob to the  symbol.

## For Models HR3011FC, HR3001C

### Optional accessory

Attach the chuck adapter to a keyless drill chuck to which 1/2"-20 size screw can be installed, and then install them to the tool. When installing it, refer to the section "Installing or removing drill bit".

► **Fig.42:** 1. Keyless drill chuck 2. Chuck adapter

## For Model HR3012FC

Use the quick change drill chuck as standard equipment. When installing it, refer to "changing the quick change chuck for SDS-plus".


Hold the ring and turn the sleeve counterclockwise to open the chuck jaws. Place the bit in the chuck as far as it will go. Hold the ring firmly and turn the sleeve clockwise to tighten the chuck.

► **Fig.43:** 1. Sleeve 2. Ring

To remove the bit, hold the ring and turn the sleeve counterclockwise.

## Diamond core drilling

**NOTICE:** If performing diamond core drilling operations using "rotation with hammering" action, the diamond core bit may be damaged.

When performing diamond core drilling operations, always set the action mode changing knob to the  position to use "rotation only" action.

## Blow-out bulb

### Optional accessory

After drilling the hole, use the blow-out bulb to clean the dust out of the hole.

► **Fig.44**

## Using dust cup set

### Optional accessory

Fit the dust cup set against the ceiling when operating the tool.

► Fig.45

**NOTICE:** Do not use the dust cup set when drilling in metal or similar. It may damage the dust cup set due to the heat produced by small metal dust or similar.

**NOTICE:** Do not install or remove the dust cup set with the drill bit installed in the tool. It may damage the dust cup set and cause dust leak.

## Connecting lanyard (tether strap) to tool hanger

**⚠ Safety warnings specific for use at height**  
Read all safety warnings and instructions. Failure to follow the warnings and instructions may result in serious injury.

1. Always keep the tool tethered when working "at height". Maximum lanyard length is 2 m. The maximum permissible fall height for lanyard (tether strap) must not exceed 2 m.
2. Use only with lanyards appropriate for this tool type and rated for at least 7.5 kg.
3. Do not anchor the tool lanyard to anything on your body or on movable components. Anchor the tool lanyard to a rigid structure that can withstand the forces of a dropped tool.
4. Make sure the lanyard is properly secured at each end prior to use.
5. Inspect the tool and lanyard before each use for damage and proper function (including fabric and stitching). Do not use if damaged or not functioning properly.
6. Do not wrap lanyards around or allow them to come in contact with sharp or rough edges.
7. Fasten the other end of the lanyard outside the working area so that a falling tool is held securely.
8. Attach the lanyard so that the tool will move away from the operator if it falls. Dropped tools will swing on the lanyard, which could cause injury or loss of balance.
9. Do not use near moving parts or running machinery. Failure to do so may result in a crush or entanglement hazard.
10. Do not carry the tool by the attachment device or the lanyard.
11. Only transfer the tool between your hands while you are properly balanced.
12. Do not attach lanyards to the tool in a way that keeps switches or trigger-lock (if supplied) from operating properly.
13. Avoid getting tangled in the lanyard.
14. Keep lanyard away from the drilling area of the tool.
15. Use multi-action and screw gate type carabineers. Do not use single action spring clip carabineers.
16. In the event the tool is dropped, it must be tagged and removed from service, and should be inspected by a Makita Factory or Authorized Service Center.

► Fig.46: 1. Tool hanger 2. Lanyard (tether strap)

## MAINTENANCE

**⚠ CAUTION:** Always be sure that the tool is switched off and unplugged before attempting to perform inspection or maintenance.

**NOTICE:** Never use gasoline, benzene, thinner, alcohol or the like. Discoloration, deformation or cracks may result.

To maintain product SAFETY and RELIABILITY, repairs, any other maintenance or adjustment should be performed by Makita Authorized or Factory Service Centers, always using Makita replacement parts.

## OPTIONAL ACCESSORIES

**⚠ CAUTION:** These accessories or attachments are recommended for use with your Makita tool specified in this manual. The use of any other accessories or attachments might present a risk of injury to persons. Only use accessory or attachment for its stated purpose.

If you need any assistance for more details regarding these accessories, ask your local Makita Service Center.

- Carbide-tipped drill bits (SDS-Plus carbide-tipped bits)
- Core bit
- Bull point
- Diamond core bit
- Cold chisel
- Scaling chisel
- Grooving chisel
- Chuck adapter
- Keyless drill chuck
- Bit grease
- Depth gauge
- Blow-out bulb
- Dust cup
- Dust cup set
- Spacer (for HR3011FC, HR3001C)
- Dust collection system (for HR3011FC, HR3012FC)
- Safety goggles
- Tool hanger

**NOTE:** Some items in the list may be included in the tool package as standard accessories. They may differ from country to country.



## TEHNIČNI PODATKI

Model:		HR3011FC	HR3012FC	HR3001C
Zmogljivosti	Beton	30 mm		
	Jedrni nastavek	80 mm		
	Diamantni jedrni nastavek (za suho rezanje)	80 mm		
	Jeklo	13 mm		
	Les	32 mm		
Hitrost brez obremenitve		0 - 840 min <sup>-1</sup>		
Udarci na minuto		0 - 4.500 min <sup>-1</sup>		
Celotna dolžina		369 mm	386 mm	369 mm
Neto teža		4,4 – 4,8 kg	4,5 – 4,8 kg	4,1 – 4,6 kg
Razred zaščite		□/II		

### Dotatna oprema

Model:	DX10 (za HR3011FC)	DX11 (za HR3012FC)
Dovoljen obdelovanec in način obdelave	Samo za vrтанje v beton (ni primerno za vrтанje v kovino ali les in za vrتانje z jedrom ali klesanje)	
Zmogljivost sesanja	0,35 l/min	
Delovni hod	Do 190 mm	
Primerni vrталni nastavek	Do 265 mm	
Neto teža	1,2 kg	

- Ker nenehno opravljamo raziskave in razvijamo svoje izdelke, se lahko tehnični podatki v tem dokumentu spremenijo brez obvestila.
- Tehnični podatki se lahko razlikujejo od države do države.
- Teža se lahko razlikuje glede na priključke. Najlažja in najtežja kombinacija v skladu s postopkom EPTA 01/2014 sta prikazani v preglednici.

### Namenska uporaba

Orodje je namenjeno za udarno vrтанje v opeke, beton in kamen ter za klesarska dela. Primerno je tudi za vrتانje v les, kovino, keramiko in plastiko.

### Priključitev na električno omrežje

Napetost električnega omrežja se mora ujemati s podatki na tipski ploščici. Stroj deluje samo z enofazno izmenično napetostjo. Stroj je po evropskih smernicah dvojno zaščitno izoliran, zato se ga lahko priključi tudi v vtičnice brez ozemljitvenega voda.

### Hrup

Običajna A-ovrednotena raven hrupa v skladu z EN60745-2-6:

#### Model HR3011FC

Raven zvočnega tlaka ( $L_{pA}$ ): 94 dB (A)  
Raven zvočne moči ( $L_{WA}$ ): 105 dB (A)  
Odstopanje (K): 3 dB (A)

#### Model HR3012FC

Raven zvočnega tlaka ( $L_{pA}$ ): 93 dB (A)  
Raven zvočne moči ( $L_{WA}$ ): 104 dB (A)  
Odstopanje (K): 3 dB (A)

#### Model HR3001C

Raven zvočnega tlaka ( $L_{pA}$ ): 94 dB (A)  
Raven zvočne moči ( $L_{WA}$ ): 105 dB (A)  
Odstopanje (K): 3 dB (A)

#### Model HR3011FC z DX10

Raven zvočnega tlaka ( $L_{pA}$ ): 96 dB (A)  
Raven zvočne moči ( $L_{WA}$ ): 107 dB (A)  
Odstopanje (K): 3 dB (A)

#### Model HR3012FC z DX11

Raven zvočnega tlaka ( $L_{pA}$ ): 94 dB (A)  
Raven zvočne moči ( $L_{WA}$ ): 105 dB (A)  
Odstopanje (K): 3 dB (A)

**OPOMBA:** Navedene vrednosti oddajanja hrupa so bile izmerjene v skladu s standardnimi metodami testiranja in se lahko uporabljajo za primerjavo orodij.

**OPOMBA:** Navedene vrednosti oddajanja hrupa se lahko uporabljajo tudi pri predhodni oceni izpostavljenosti.

**⚠ OPOZORILO:** Uporabljajte zaščito za sluh.

**⚠ OPOZORILO:** Oddajanje hrupa med dejansko uporabo električnega orodja se lahko razlikuje od navedenih vrednosti, odvisno od načina uporabe orodja in predvsem vrste obdelovanca.

**⚠ OPOZORILO:** Upravljevec mora za lastno zaščito poznati varnostne ukrepe, ki temeljijo na oceni izpostavljenosti v dejanskih pogojih uporabe (poleg časa proženja je treba upoštevati celoten delovni cikel, vključno s časom, ko je orodje izklopljeno, in časom, ko deluje v prostem teku).

## Vibracije

V naslednji tabeli je prikazana skupna vrednost vibracij (vektorska vsota treh osi), določena v skladu z veljavnim standardom.

### Model HR3011FC

Delovni način	Emisije vibracij	Odstopanje (K)	Veljavni standard
Udarno vrtnje v beton ( $a_{h, HD}$ )	9,5 m/s <sup>2</sup>	1,5 m/s <sup>2</sup>	EN60745-2-6
Udarno vrtnje v beton z DX10 ( $a_{h, HD}$ )	9,5 m/s <sup>2</sup>	1,5 m/s <sup>2</sup>	EN60745-2-6
Funkcija klesanja s stranskim ročajem ( $a_{h, Chrg}$ )	6,0 m/s <sup>2</sup>	1,5 m/s <sup>2</sup>	EN60745-2-6
Udarno vrtnje v kovino ( $a_{h, D}$ )	5,5 m/s <sup>2</sup>	1,5 m/s <sup>2</sup>	EN62841-2-1

### Model HR3012FC

Delovni način	Emisije vibracij	Odstopanje (K)	Veljavni standard
Udarno vrtnje v beton ( $a_{h, HD}$ )	9,5 m/s <sup>2</sup>	1,5 m/s <sup>2</sup>	EN60745-2-6
Udarno vrtnje v beton z DX11 ( $a_{h, HD}$ )	8,0 m/s <sup>2</sup>	1,5 m/s <sup>2</sup>	EN60745-2-6
Funkcija klesanja s stranskim ročajem ( $a_{h, Chrg}$ )	5,5 m/s <sup>2</sup>	1,5 m/s <sup>2</sup>	EN60745-2-6
Udarno vrtnje v kovino ( $a_{h, D}$ )	6,0 m/s <sup>2</sup>	1,5 m/s <sup>2</sup>	EN62841-2-1

### Model HR3001C

Delovni način	Emisije vibracij	Odstopanje (K)	Veljavni standard
Udarno vrtnje v beton ( $a_{h, HD}$ )	13,5 m/s <sup>2</sup>	1,5 m/s <sup>2</sup>	EN60745-2-6
Funkcija klesanja s stranskim ročajem ( $a_{h, Chrg}$ )	11,0 m/s <sup>2</sup>	1,5 m/s <sup>2</sup>	EN60745-2-6
Udarno vrtnje v kovino ( $a_{h, D}$ )	6,0 m/s <sup>2</sup>	1,5 m/s <sup>2</sup>	EN62841-2-1

**OPOMBA:** Navedene skupne vrednosti oddajanja vibracij so bile izmerjene v skladu s standardnimi metodami testiranja in se lahko uporabljajo za primerjavo orodij.

**OPOMBA:** Navedene skupne vrednosti oddajanja vibracij se lahko uporabljajo tudi pri predhodni oceni izpostavljenosti.

**⚠ OPOZORILO:** Oddajanje vibracij med dejansko uporabo električnega orodja se lahko razlikuje od navedenih vrednosti, odvisno od načina uporabe orodja in predvsem vrste obdelovanca.

**⚠ OPOZORILO:** Upravljevec mora za lastno zaščito poznati varnostne ukrepe, ki temeljijo na oceni izpostavljenosti v dejanskih pogojih uporabe (poleg časa proženja je treba upoštevati celoten delovni cikel, vključno s časom, ko je orodje izklopljeno, in časom, ko deluje v prostem teku).

## Izjava o skladnosti ES

*Samo za evropske države*

Izjava ES o skladnosti je vključena v dodatku A, ki je priložen tem navodilom za uporabo.

## VARNOSTNA OPOZORILA

### Splošna varnostna opozorila za električno orodje

**⚠ OPOZORILO:** Preberite vsa varnostna opozorila in navodila s slikami in tehničnimi podatki, ki so dobavljeni skupaj z električnim orodjem. Ob neupoštevanju spodaj navedenih navodil obstaja nevarnost električnega udara, požara in/ali hudih telesnih poškodb.

### Shranite vsa opozorila in navodila za poznejšo uporabo.

Izraz „električno orodje“ v opozorilih se nanaša na vaše električno orodje (s kablom) ali baterijsko električno orodje (brez kabla).

### VARNOSTNA OPOZORILA PRI UPORABI VRTALNEGA KLADIVA

1. **Uporabljajte zaščito za sluh.** Izpostavljenost hrupu lahko povzroči izgubo sluha.
2. **Uporabite pomožne ročaje, če so dobavljeni z orodjem.** Izguba nadzora lahko povzroči poškodbe oseb.
3. **Če obstaja nevarnost, da bi z rezilnim orodjem prerezali skrito električno napeljavo ali lasten kabel, držite električno orodje na izoliranih držalnih površinah.** Če pride do stika z vodniki pod napetostjo, so pod napetostjo vsi neizolirani kovinski deli električnega orodja, zaradi česar lahko uporabnik utрпи električni udar.

4. Nosite trdo pokrivalo (zaščitno čelado), zaščitna očala in/ali obrazno masko. Navadna ali sončna očala NISO zaščitna očala. Prav tako je zelo priporočljivo, da nosite protiprašno masko in debelo oblazinjene rokavice.
5. Pred delom se prepričajte, ali je nastavek trdno pritrjen.
6. Pri običajnih pogojih orodje oddaja vibracije. Vijaki lahko hitro popustijo, kar povzroči poškodbe orodja ali nesrečo. Pred delom skrbno preverite zategjenost vijakov.
7. V hladnem vremenu ali če orodja dlje časa niste uporabljali, počakajte, da se orodje nekaj časa ogreva, tako da deluje brez obremenitve. To bo sprostilo mazanje. Brez ustreznega ogrevanja bo udarno vijačenje oteženo.
8. Vedno zagotovite, da imate trden oprijem na podlagi, kjer stojite. Kadar uporabljate orodje na višini, se prepričajte, da spodaj ni nikogar.
9. Orodje trdno držite z obema rokama.
10. Ne približujte rok premikajočim se delom.
11. Orodja ne pustite delovati brez nadzora. Dovoljeno ga je uporabljati samo ročno.
12. Med delom ne usmerjajte orodja v druge osebe v območju. Nastavek lahko odleti in povzroči hude telesne poškodbe.
13. Takoj po končani obdelavi se ne dotikajte nastavka, delov v bližini nastavka ali obdelovanca; lahko so zelo vroči in povzročijo opekline kože.
14. Nekateri materiali vsebujejo kemikalije, ki so lahko strupene. Bodite previdni in preprečite vdihavanje prahu in stik s kožo. Upoštevajte varnostne podatke dobavitelja materiala.
15. Napajalnega vtiča se ne dotikajte z mokrimi rokami.

## SHRANITE TA NAVODILA.

**⚠ OPOZORILO:** NE dovolite, da bi zaradi udobnejšega dela ali znanja o uporabi izdelka (pridobljenega z večkratno uporabo) opustili strogo upoštevanje varnostnih zahtev v okviru pravilne uporabe orodja. ZLORABA ali neupoštevanje varnostnih zahtev v teh navodilih za uporabo lahko povzroči resne telesne poškodbe.

## OPIS DELOVANJA

**⚠ POZOR:** Pred vsako nastavitvijo ali pregledom nastavitve orodja se prepričajte, da je orodje izklopljeno in izključeno z električnega omrežja.

### Delovanje stikala

**⚠ POZOR:** Pred priključitvijo orodja na električno omrežje se vedno prepričajte, da je stikalo brezhibno in se vrača v položaj za izklop (OFF), ko ga spustite.

Za zagon orodja pritisnite sprožilno stikalo. Hitrost orodja se poveča za povečani tlak na sprožilnem stikalu. Za izklop spustite stikalo.

► **SI.1:** 1. Sprožilno stikalo

### Vklop sprednje lučke

Samo za HR3011FC. HR3012FC

**⚠ POZOR:** Ne glejte neposredno v lučko ali vir svetlobe.

Lučko vklopite tako, da pritisnete sprožilec. Če želite ustaviti orodje, spustite sprožilec.

► **SI.2:** 1. Lučka

**OPOMBA:** Uporabite suho krpo, da obrišete umazanijo z leče lučke. Pazite, da ne opraskate stekla lučke, ker praske občutno zmanjšajo svetilnost.

### Stikalo za preklap smeri vrtenja

**⚠ POZOR:** Pred obratovanjem vedno preverite smer vrtenja.

**⚠ POZOR:** Stikalo za spreminjanje smeri vrtenja uporabite šele, ko se stroj popolnoma ustavi. Če smer vrtenja spremenite, preden se stroj ustavi, se ta lahko poškoduje.

**OBVESTILO:** Pri spreminjanju smeri vrtenja ročico za preklap smeri vrtenja premaknite do konca na stran A ali stran B. V nasprotnem primeru se lahko ob pritisku sprožila zgodi, da se motor ne bo vrtel ali pa orodje ne bo delalo pravilno.

To orodje je opremljeno z ročico za spremembo smeri vrtenja. Za vrtenje v smeri urnega kazalca pomaknite ročico za preklap smeri vrtenja na stran A, za vrtenje v nasprotni smeri urnega kazalca pa na stran B.

► **SI.3:** 1. Ročica za preklap smeri vrtenja



## Zamenjava vrtnalne glave za hitro zamenjavo za SDS-plus

### Samo za HR3012FC

Vrtnalno glavo za hitro zamenjavo za SDS-plus lahko enostavno zamenjate z vrtnalno glavo za hitro zamenjavo.




## Odstranjevanje vrtnalne glave za hitro zamenjavo za SDS-plus

**▲POZOR:** Preden odstranite vrtnalno glavo za hitro zamenjavo za SDS-plus, vedno najprej odstranite nastavek.

Primate menjalni pokrov vrtnalne glave za hitro zamenjavo za SDS-plus in ga obrnite v smeri puščice, da se črta na menjalnem pokrovu premakne s simbola  na simbol . Močno povlecite v smeri puščice.

- **SI.4:** 1. Vrtnalna glava za hitro zamenjavo za SDS-plus  
2. Menjalni pokrov 3. Črta na menjalnem pokrovu

## Nameščanje vrtnalne glave za hitro zamenjavo

Preverite, ali črta vrtnalne glave za hitro zamenjavo kaže na simbol . Primate menjalni pokrov vrtnalne glave za hitro zamenjavo in nastavite črto na simbol . Namestite vrtnalno glavo za hitro zamenjavo na vreteno orodje. Primate menjalni pokrov vrtnalne glave za hitro zamenjavo in obrnite črto na menjalnem pokrovu na simbol , da se slišno zaskoči.


- **SI.5:** 1. Vrtnalna glava za hitro zamenjavo 2. Vreteno  
3. Črta na menjalnem pokrovu 4. Menjalni pokrov

## Izbira načina delovanja

**OBVESTILO:** Ne premikajte preklopnika za spremembo načina delovanja, ko orodje deluje. S tem bi orodje poškodovali.


**OBVESTILO:** Da bi preprečili hitro obrabo mehanizma za spremembo načina delovanja, se vedno prepričajte, ali je preklopnik natančno postavljen v enega od treh možnih položajev.

## Udarno vrtnje

Za vrtnje v beton, zidove ipd. zavrtite preklopnik za spremembo načina delovanja na simbol . Uporabljajte nastavek s konico iz karbidne trdine (dodatna oprema).


- **SI.6:** 1. Udarno vrtnje 2. Preklopnik za spremembo načina delovanja

## Samo vrtnje

Za vrtnje v les, kovine ali plastične materiale, obrnite preklopnik za spremembo načina delovanja na simbol . Uporabljajte spiralne ali lesne vrtnalne nastavke.

- **SI.7:** 1. Samo vrtnje

## Samo udarjanje

Za klesanje, izbijanje ali rušenje zavrtite preklopnik načina delovanja na simbol . Uporabite sekač, hladno dleto, izbijlač itd.

- **SI.8:** 1. Samo udarjanje

## Omejevalnik navora

**OBVESTILO:** Ko se omejevalnik navora sproži, takoj izklopite orodje. To bo pomagalo preprečiti predčasno obrabo orodja.

**OBVESTILO:** Vrtnalni nastavki, kot je vbodna žaga, ki se hitro zagozdijo ali zatakejo v odprtini, niso primerni za to orodje. Ti namreč povzročijo, da se omejevalnik navora sproži prepogosto.

Omejevalnik navora se bo sprožil, ko je dosežen določen navor. Motor se bo odklopil od izhodne osi. Ko se to zgodi, se bo vrtnali nastavek nehal vrteti.

## Elektronska funkcija

Orodje je opremljeno z elektronskimi funkcijami za enostavno delovanje.

- Uravnavanje konstantnega števila vrtljajev  
Funkcija nadzora hitrosti zagotavlja stalno hitrost vrtenja ne glede na stanje obremenitve.

## Zračni kanal

### Samo za HR3011FC. HR3012FC

**▲POZOR:** Ne dajajte prstov v zračni kanal ter vanj ne vstavljajte nobenih drugih predmetov. V nasprotnem primeru se lahko poškodujete ali pride do okvare orodja.

Zračni kanal je povezan s sistemom za zbiranje prahu. Če uporabljate sistem za zbiranje prahu, preberite razdelek o sistemu za zbiranje prahu.

- **SI.9:** 1. Zračni kanal

## MONTAŽA

**▲POZOR:** Pred vsakim posegom v orodje se prepričajte, da je orodje izklopljeno in izključeno z električnega omrežja.

## Stranski ročaj (pomožni ročaj)

**▲POZOR:** Zaradi varnosti vedno uporabljajte stranski ročaj.

**▲POZOR:** Po namestitvi ali prilagajanju stranskega ročaja zagotovite, da je ta trdno pritrjen.

Za namestitvev stranskega ročaja upoštevajte spodnje korake.

1. Odvijte krilati vijak na stranskem ročaju.  
► **SI.10:** 1. Krilati vijak
2. Pritisnite krilati vijak in ga zadržite ter hkrati stranski ročaj namestite tako, da se utori ročaja prilagodijo izboklinam na ohišju orodja.  
► **SI.11:** 1. Krilati vijak
3. Zategnite krilati vijak, da pritrdite ročaj. Ročaj lahko pritrdite pod zelenim naklonom.

## Namastite

Pred tem na steblo vrtnega nastavka nanesite nekaj masti (pribl. 0,5–1 g). Mazanje vpenjalne glave zagotavlja nemoteno delovanje in daljšo življenjsko dobo.

## Nameščanje ali odstranjevanje vrtnega nastavka

Očistite steblo vrtnega nastavka in pred namestitvijo nanj nanesite mast.

► **SI.12:** 1. Steblo 2. Namastite

Vstavite vrtni nastavek v orodje. Zavrtite vrtni nastavek in ga potisnite v orodje, da se zaskoči.

Po namestitvi vrtnega nastavka se vedno prepričajte, da je vrtni nastavek trdno pritrjen tako, da ga poskušate izvelči.

► **SI.13:** 1. Vrtni nastavek

Če želite odstraniti vrtni nastavek, povlecite pokrov vpenjalne glave do konca navzdol in izvelcite vrtni nastavek.

► **SI.14:** 1. Vrtni nastavek 2. Pokrov vpenjalne glave

## Naklon dleta (pri klesanju, izbijanju ali rušenju)

Dleto lahko pritrdite pod želenim naklonom. Za spremembo naklona dleta zavrtite preklopnik za spremembo načina delovanja na simbol O. Zavrtite dleto na zeleni naklon.

► **SI.15:** 1. Preklopnik za spremembo načina delovanja

Premaknite preklopnik za spremembo načina delovanja na simbol T. Nato se prepričajte, ali je dleto trdno pritrjeno, tako da ga rahlo zavrtite.

## Merilnik globine

Merilnik globine je priročen za vrtnje lukenj enakomerne globine. Pritisnite in zadržite gumb za zaklep ter vstavite merilnik globine v šestkotno luknjo. Prepričajte se, da je nazobčana stran merilnika globine obrnjena proti oznaki.

► **SI.16:** 1. Merilnik globine 2. Gumb za zaklep 3. Oznaka 4. Nazobčana stran

Prilagodite merilnik globine, tako da ga premaknete nazaj in naprej, medtem ko pritiskate gumb za zaklep. Po prilagoditvi spustite gumb za zaklep, da se merilnik globine zaskoči.

**OPOMBA:** Poskrbite, da se merilnik globine med nameščanjem ne dotika ohišja orodja.

## Protiprašni pokrov

### Dodatna oprema

Pri delu nad višino glave uporabljajte protiprašni pokrov, ki preprečuje padanje prahu na uporabnika in orodje. Protiprašni pokrov namestite na nastavek, kot je to prikazano na sliki. Protiprašni pokrov lahko uporabljate pri nastavkih z naslednjimi merami.

Model	Premer nastavka
Protiprašni pokrov 5	6 mm – 14,5 mm
Protiprašni pokrov 9	12 mm – 16 mm

► **SI.17:** 1. Protiprašni pokrov

## Komplet s protiprašnim pokrovom

### Dodatna oprema

## Za modele HR3011FC, HR3001C

**OBVESTILO:** Ko uporabljate komplet s protiprašnim pokrovom s HR3011FC, HR3001C, potrebujete tudi distančnik.

Preden namestite protiprašni pokrov, odstranite nastavek z orodja, če je nameščen.

Distančnik namestite na komplet s protiprašnim pokrovom. Simbol  $\Delta$  na kompletu s protiprašnim pokrovom je poravnan z utorom na distančniku.

► **SI.18:** 1. Distančnik 2. Simbol  $\Delta$  3. Utor

Namestite komplet s protiprašnim pokrovom z distančnikom na orodje tako, da je simbol  $\Delta$  na protiprašnem pokrovu poravnan z utorom na orodju.

► **SI.19:** 1. Simbol  $\Delta$  2. Utor

Če želite odstraniti komplet s protiprašnim pokrovom, povlecite pokrov glave v smeri puščice in odstranite nastavek.

► **SI.20:** 1. Nastavek 2. Pokrov vpenjalne glave

Držite spodnji del protiprašnega pokrova in ga izvelcite.

► **SI.21**

## Za model HR3012FC

Preden namestite protiprašni pokrov, odstranite nastavek z orodja, če je nameščen.

Namestite komplet s protiprašnim pokrovom na orodje tako, da je simbol  $\Delta$  na protiprašnem pokrovu poravnan z utorom na orodju.

► **SI.22:** 1. Simbol  $\Delta$  2. Utor

Če želite odstraniti komplet s protiprašnim pokrovom, povlecite pokrov glave v smeri puščice in odstranite nastavek.

► **SI.23:** 1. Nastavek 2. Pokrov vpenjalne glave

Držite spodnji del protiprašnega pokrova in ga izvelcite.

► **SI.24**

**OPOMBA:** Preden priključite sesalnik za prah s kompletom s protiprašnim pokrovom, odstranite protiprašni pokrov.

► **SI.25:** 1. Pokrovček protiprašnega pokrova

**OPOMBA:** Če se pokrovček sname s protiprašnega pokrova, ga namestite tako, da je natisnjena stran obrnjena navzgor in se utor pokrovčka prilega notranjemu robu priključka.

► **SI.26**

## Obešalo orodja

### Dodatna oprema

**⚠ OPOZORILO:** Ne uporabljajte poškodovane obešala orodja in vijaka.

**⚠ OPOZORILO:** Uporabite le vijak, ki je bil priložen obešalu orodja.

**⚠ OPOZORILO:** Pred uporabo preverite, da obešalo orodja ni poškodovano, razpokano ali obrabljeno in da je vijak trdno privit.

**⚠ POZOR:** Namestite ali odstranite obešalo orodja na stabilni mizi ali površini.

Obešalo orodja je namenjeno pritrditvi traka z vponko (pritrditveni trak). Za namestitev obešala orodja upoštevajte spodnje korake.

1. Odklopite vtič z vira napajanja.
  2. Vstavite izbokline obešala orodja v odprtine na orodju.
  3. Trdno privijte vijake.
- ▶ **SI.27:** 1. Obešalo orodja 2. Odprtina 3. Izboklina 4. Vijak

## SISTEM ZA ZBIRANJE PRAHU

Samo za **HR3011FC, HR3012FC**

### Dodatna oprema

Sistem za zbiranje prahu je zasnovan za učinkovito zbiranje prahu pri vrтанju v beton.

- ▶ **SI.28:** 1. Sistem za zbiranje prahu

**⚠ POZOR:** Pred vsakim posegom v orodje se prepričajte, da je orodje izklopljeno in izključeno iz električnega omrežja. V nasprotnem primeru lahko pride do telesnih poškodb zaradi nenamernega zagona.

**⚠ POZOR:** Na sistem za zbiranje prahu vedno pritrdite filter. V nasprotnem primeru pride do vdihavanja prahu.

**⚠ POZOR:** Preverite, ali je filter poškodovan. V nasprotnem primeru lahko pride do vdihavanja prahu.

**OBVESTILO:** Sistema za zbiranje prahu ne uporabljajte pri vrтанju z jedrom ali klesanju. Sistem za zbiranje prahu je namenjen samo za vrтанje.

**OBVESTILO:** Sistema za zbiranje prahu ne uporabljajte pri vrтанju kovine ali lesa. Sistem za zbiranje prahu je namenjen samo za beton.

**OBVESTILO:** Sistema za zbiranje prahu ne uporabljajte pri vrтанju v moker beton ali v mokrem okolju. V nasprotnem primeru lahko pride do okvare.

**OPOMBA:** Sistem za zbiranje prahu zbira nastali prah v veliki meri, vendar ni mogoče zbrati vsega prahu.

## Nameščanje ali odstranjevanje sistema za zbiranje prahu

**OBVESTILO:** Pred namestitvijo sistema za zbiranje prahu očistite priključne člene orodja in sistema za zbiranje prahu.

Tujki na priključnih členih lahko povzročijo težave pri namestitvi sistema za zbiranje prahu. Okvare lahko povzročijo zlasti tujki na električnem vmesniku.

Če je v zračnem kanalu ostalo še kaj prahu, lahko prah zaide v orodje in povzroči oviranje pretoka zraka ali okvaro orodja.

Priključite sistem za zbiranje prahu na orodje, nato vstavite sistem za zbiranje prahu do konca, dokler se ne zaskoči z dvakratnim klikom.

Nato poskrbite, da je sistem za zbiranje prahu trdno nameščen.

- ▶ **SI.29:** 1. Zračni kanal

Pri odstranjevanju sistema za zbiranje prahu pritisnite sprostilni gumb.

- ▶ **SI.30:** 1. Sprostilni gumb

## Prilagajanje položaja šobe sistema za zbiranje prahu

**⚠ POZOR:** Šobe ne usmerjajte proti sebi ali drugim, medtem ko šobo sprostite s pritiskom gumba za prilagajanje vodila.

Potisnite gumb za prilagajanje vodila, medtem ko potisnete vodilo in nato sprostite gumb v želenem položaju.

- ▶ **SI.31:** 1. Vodilo 2. Gumb za prilagajanje vodila

## Prilagajanje globine vrтанja sistema za zbiranje prahu

Potisnite gumb za nastavljanje globine v želeni položaj, medtem ko ga potiskate. Razdalja (A) je globina vrтанja.

- ▶ **SI.32:** 1. Gumb za prilagajanje globine

## Odstranjevanje prahu s filtra

**⚠ POZOR:** Gumba na posodi za prah ne obračajte, če posoda za prah ni nameščena na sistem za zbiranje prahu. Tako lahko pride do vdihavanja prahu.

**⚠ POZOR:** Orodje vedno izklopite, ko obračate gumb na posodi za prah. Če obračate gumb, medtem ko je orodje prižgano, lahko izgubite nadzor nad orodjem.

Če s filtra, ki je v posodi za prah, odstranite prah, lahko ohranite učinkovitost sesanja in zmanjšate število praznjenj posode za prah.

Vsakič, ko se zbere 50.000 mm<sup>3</sup> prahu ali ko imate občutek, da sesalnik slabše deluje, trikrat obrnite gumb na posodi za prah.

**OPOMBA:** 50.000 mm<sup>3</sup> prahu je enakovredno vrтанju 10 lukenj  $\varnothing$  10 mm in globine 14 mm (2 lukenj  $\varnothing$  65" in globine 3/8").

- ▶ **SI.33:** 1. Posoda za prah 2. Gumb

## Odstranjevanje prahu

**▲POZOR:** Pri odstranjevanju prahu nosite protiprašno masko.

**▲POZOR:** Redno praznite posodo za prah, preden se napolni. Če tega ne naredite, se lahko kakovost zbiranja prahu zmanjša in pride do vdihavanja prahu.

**▲POZOR:** Priporočljivo je, da filter zamenjate z novim po približno 200 polnjenjih. Zamašen filter zmanjša kakovost zbiranja prahu in lahko povzroči vdihavanje prahu.

**OBVESTILO:** Ko čistite filter, z roko rahlo tapnite ohišje filtra, da odstranite prah. Ne dotikajte se neposredno filtra; ne dotikajte se ga s krtačo ali podobnim predmetom oziroma na filter ne razpihujte stisnjenga zraka. S tem lahko poškodujete filter.

1. Pritisnite ročico posode za prah navzdol in odstranite posodo za prah.

► **SI.34:** 1. Ročica

2. Odprite pokrov posode za prah.

► **SI.35:** 1. Pokrov

3. Odstranite prah in nato očistite filter.

► **SI.36**

## Zamenjava filtra posode za prah

1. Pritisnite ročico posode za prah navzdol in odstranite posodo za prah. (Glejte razdelek o odstranjevanju prahu.)

2. Odprite pokrov filtra posode za prah.

► **SI.37:** 1. Pokrov filtra

3. Odstranite filter z ohišja filtra.

► **SI.38:** 1. Filter 2. Ohišje filtra

4. Na ohišje filtra pritrdite nov filter in nato namestite pokrov filtra.

5. Zaprite pokrov posode za prah in jo nato pritrdite na sistem za zbiranje prahu.

## Zamenjava tesnilnega pokrovčka

Če je tesnilni pokrovček izrabljen, se kakovost zbiranja prahu poslabša. Če je izrabljen, ga zamenjajte.

Odstranite tesnilni pokrovček in nato pritrdite novega tako, da je izbočeni del obrnjen navzgor.

► **SI.39:** 1. Izbočeni del 2. Tesnilni pokrovček

## UPRAVLJANJE

**▲POZOR:** Vedno uporabljajte stranski ročaj (dodatni ročaj) in med uporabo trdno držite orodje za stranski ročaj in preklonni ročaj.

**▲POZOR:** Pred uporabo orodja vedno zagotovite, da je nastavek trdno pritrjen.

**▲POZOR:** Ne vlecite orodja ven na silo, tudi če se nastavek zaskoči. Izguba nadzora lahko povzroči poškodbe.


**▲POZOR:** Samo za HR3011FC. HR3012FC

Pred uporabo sistema za zbiranje prahu z orodjem preberite razdelek o sistemu za zbiranje prahu.

► **SI.40**

## Udarno vrтанje

**▲POZOR:** Po prevrtanju izvrtine, zamašene z odrezki in delci ali ob stiku nastavka z železnimi palicami v armiranem betonu, delujejo na orodje/nastavek izjemno visoke in nenadne sile. **Vedno uporabljajte stranski ročaj (dodatni ročaj) in med uporabo trdno držite orodje za stranski ročaj in preklonni ročaj.** V nasprotnem primeru lahko izgubite nadzor nad orodjem, kar lahko privede do hudih telesnih poškodb.


Preklonnik za spremembo načina delovanja nastavite na simbol .

Vrtalni nastavek postavite na želeno mesto vrтанja in pritisnite sprožilno stikalo. Ne uporabljajte čezmerne sile. Z zmerno silo boste dosegli najboljše rezultate. Držite orodje na mestu, da vrtalni nastavek ne zdrsne iz vrтine.

Če se izvrtina zamaši z odkruški ali odrezki, ne povečujte pritiska. V tem primeru raje pustite orodje delovati brez obremenitve, nato pa nastavek postopoma odstranite iz vrтine. S ponavljanjem postopka lahko očistite izvrtino in nadaljujete običajno vrтанje.

**OPOMBA:** Medtem ko stroj deluje brez obremenitve, lahko pride do ekscentričnega vrтanja vrtalnega nastavka. Med delovanjem se orodje samodejno centrira. To ne vpliva na natančnost vrтанja.

## Klesanje/izbijanje/rušenje

Preklonnik za spremembo načina delovanja nastavite na simbol .

Orodje držite čvrsto z obema rokama. Vklpite orodje in rahlo pritisnite nanj, da ne bo nenadzorovano poskakovalo.

Močno pritiskanje na orodje ne bo povečalo njegove učinkovitosti.

► **SI.41**

## Vrtanje v les ali kovino

**▲POZOR:** Trdno držite orodje in bodite previdni, ko začne vrtalni nastavek prebijati obdelovance. Po prevrtanju materiala delujejo na orodje oz. vrtalni nastavek izjemno visoke sile.


**▲POZOR:** Zagodeni vrtalni nastavek lahko enostavno odstranite, tako da nastavite stikalo za spremembo smeri v položaj za vrтанje v obratno smer. Vseeno pa lahko orodje nenadoma sune nazaj, če ga ne držite trdno.

**▲POZOR:** Obdelovance vedno vpnite v primež ali podobno napravo za držanje.

**OBVESTILO:** Če je na orodje nameščena vrtna glava, ne smete nikakor uporabiti načina „udarno vrtnanje“. Vrtna glava se lahko poškoduje.

Prav tako se bo vrtna glava pri spremembi smeri orodja snela.

**OBVESTILO:** Čezmerno pritiskanje na orodje ne bo pospešilo napredovanja nastavka med vrtnjem. Nasprotno, s čezmernim pritiskanjem se poškoduje konica vrtnega nastavka, kar zmanjša učinkovitost delovanja ter skrajša življenjsko dobo orodja.

Nastavite gumb za spremembo načina delovanja na simbol .

## Za modele HR3011FC, HR3001C

### Dodatna oprema

Adapter vrtna glava pritrđite na vrtno glavo brez ključa, na katero lahko namestite vijak velikosti 1/2"-20, in nato vse skupaj namestite na orodje. Pri nameščanju glejte razdelek „Nameščanje ali odstranjanje vrtnega nastavka“.

► **SI.42:** 1. Vrtna glava brez ključa 2. Adapter vrtna glava

## Za model HR3012FC

Uporabljajte vrtno glavo za hitro zamenjavo kot standardno opremo. Kadar jo nameščate, glejte „Zamenjava vrtna glava za hitro zamenjavo za SDS-plus“.


Razprite čeljusti vpenjalne glave tako, da primete obroč in vpenjalno glavo zavrtite v nasprotni smeri urinega kazalca. Vstavite sveder/vijačni nastavek v vpenjalno glavo in ga potisnite do konca. Trdno držite obroč in obračajte vpenjalno glavo v smeri urinega kazalca, da se stisne.

► **SI.43:** 1. Vpenjalna glava 2. Obroč

Sveder odstranite tako, da primete obroč in vpenjalno glavo vrtite v nasprotni smeri urinega kazalca.

## Vrtanje s svedrom z diamantnim jedrom

**OBVESTILO:** Če boste vrtali z nastavkom z diamantnim jedrom v načinu „Udarno vrtnanje“, se nastavek z diamantnim jedrom lahko poškoduje.

Kadar vrtate z diamantnim jedrnim nastavkom, vedno nastavite obroč za spremembo načina delovanja v položaj , da uporabite „samo vrtnanje“.

## Izpihovalna pipeta

### Dodatna oprema

Ko izvrtate vrtno, uporabite izpihovalno pipeto, da iz nje očistite prah.

► **SI.44**

## Uporaba kompleta s protiprašnim pokrovom

### Dodatna oprema


Med uporabo orodja namestite komplet s protiprašnim pokrovom ob strop.

► **SI.45**

**OBVESTILO:** Ne uporabljajte kompleta s protiprašnim pokrovom, kadar vrtate v kovino ali podobne materiale. Toplota, ki jo proizvajajo majhni delci kovine ali podobni materiali, lahko poškoduje komplet s protiprašnim pokrovom.

**OBVESTILO:** Ne nameščajte ali odstranjujte kompleta s protiprašnim pokrovom, ko je vrtni nastavek nameščen na orodje. Komplet s protiprašnim pokrovom se lahko poškoduje, kar povzroči puščanje prahu.

## Pritrditev traku z vponko (pritrditveni trak) na obešalo orodja

 **Posebna varnostna opozorila za uporabo na višini**

**Preberite vsa varnostna opozorila in navodila.**

Neupoštevanje opozoril in navodil lahko privede do hudih telesnih poškodb.

1. **Ko delate „na višini“, mora biti orodje vedno pritrjeno s trakom. Maksimalna dolžina traku z vponko je 2 m.**  
**Največja dovoljena višina padca za trak z vponko (pritrditveni trak) ne sme presežati 2 m.**
  2. **Uporabljajte samo trakove z vponko, ustrezne za to vrsto orodja, z nosilnostjo vsaj 7,5 kg.**
  3. **Traku z vponko za orodje na noben način ne pripnite na kar koli na svojem telesu ali na premične predmete. Trak z vponko pripnite na trdno konstrukcijo, ki zdrži silo padca orodja.**
  4. **Pred uporabo se prepričajte, da je trak z vponko ustrezno pritrjen na obeh straneh.**
  5. **Pred vsako uporabo preglejte orodje in trak z vponko zaradi morebitnih poškodb in preverite delovanje (vključno s tkanino in šivi). V primeru poškodb ali nepravilnega delovanja ju ne uporabljajte.**
  6. **Traku z vponko ne ovijajte okoli ostrih ali grobih robov in poskrbite, da ne pride v stik z njimi.**
  7. **Drugi konec traku z vponko pritrđite izven delovnega področja, da je padajoče orodje čvrsto pritrjeno.**
  8. **Trak z vponko pritrđite tako, da bo orodje v primeru padca zanihalo stran od upravljavca.** Orodja, ki padejo, zanihajo na traku z vponko, kar lahko povzroči poškodbe ali izgubo ravnotežja.
  9. **Orodja ne uporabljajte v bližini premičnih delov ali delujočih strojev.** V nasprotnem primeru lahko pride do zmečkanin ali zapletanja v trak.
  10. **Orodja ne prenašajte tako, da visi s priključka ali traku z vponko.**
  11. **Orodje vedno držite z rokami in poskrbite, da imate dobro ravnotežje.**
  12. **Traku z vponko ne pripnite tako, da ovira pravično delovanje sprožilcev ali zaklepa sprožilcev (če je priložen).**
  13. **Pazite, da se ne zapletete v trak z vponko.**
  14. **Traku z vponko ne približujte območju vrtnanja.**
  15. **Uporabljajte večnamenske in navojne vponke. Ne uporabljajte samo enojnih vzmetnih vponk.**
  16. **Če vam orodje pade, ga morate označiti in prenehati uporabljati ter odnesti v pregled v tovarno Makita ali pooblaščenemu serviserju.**
- **SI.46:** 1. Obešalo orodja 2. Trak z vponko (pritrditveni trak)



# VZDRŽEVANJE

**⚠️ POZOR:** Preden se lotite pregledovanja ali vzdrževanja orodja, mora biti orodje izključeno in odklopljeno iz električnega omrežja.

**OBVESTILO:** Nikoli ne uporabljajte bencina, razredčila, alkohola ali podobnega sredstva. V tem primeru se lahko orodje razbarva ali deformira oziroma lahko nastanejo razpoke.

VARNO in ZANESLJIVO delovanje tega izdelka bo zagotovljeno le, če boste popravila, vzdrževanje in nastavitve prepustili pooblaščenemu servisu za orodja Makita ali tovarniškemu osebju, ki vgrajuje izključno originalne nadomestne dele.

# DODATNA OPREMA

**⚠️ POZOR:** Ta dodatni pribor ali pripomočki so predvideni za uporabo z orodjem Makita, ki je opisano v teh navodilih za uporabo. Pri uporabi drugega pribora ali pripomočkov obstaja nevarnost telesnih poškodb. Dodatni pribor ali pripomočke uporabljajte samo za navedeni namen.

Za več informacij o dodatni opremi se obrnite na najbližji pooblaščen servis za orodja Makita.

- Vrtalni nastavki s karbidno konico (nastavki s karbidno konico SDS-Plus)
- Jedrni nastavek
- Koničasti sekač
- Diamantni jedrni nastavek
- Hladni sekač
- Ploščati sekač
- Utorno dleto
- Adapter vrtalne glave
- Vrtalna glava brez ključa
- Mast za nastavke
- Merilnik globine
- Izpihovalna pipeta
- Protiprašni pokrov
- Komplet s protiprašnim pokrovom
- Distančnik (za HR3011FC, HR3001C)
- Sistem za zbiranje prahu (za HR3011FC, HR3012FC)
- Zaščitna očala
- Obešalo orodja

**OPOMBA:** Nekateri predmeti na seznamu so lahko priloženi orodju kot standardna dodatna oprema. Lahko se razlikujejo od države do države.

## SPECIFIKIMET

Modeli:		HR3011FC	HR3012FC	HR3001C
Kapacitetet	Beton	30 mm		
	Punto me majë	80 mm		
	Punto me majë diamanti (e lloji të thatë)	80 mm		
	Çelik	13 mm		
	Dru	32 mm		
Shpejtësia pa ngarkesë		0 - 840 min <sup>-1</sup>		
Goditje në minutë		0 - 4 500 min <sup>-1</sup>		
Gjatësia totale		369 mm	386 mm	369 mm
Pesha neto		4,4 - 4,8 kg	4,5 - 4,8 kg	4,1 - 4,6 kg
Kategoria e sigurisë		II/II		

### Aksesor opsional

Modeli:	DX10 (Për HR3011FC)	DX11 (Për HR3012FC)
Materiali i punës dhe regjimi i punës i aplikueshëm	vetëm për shpim në beton (jo për metal ose dru, dhe jo për shpim me diamant ose punim me daltë)	
Performanca në thithje	0,35 l/min	
Distanca e lëvizjes gjatë punës	Deri në 190 mm	
Maja e përshtatshme e puntos	Deri në 265 mm	
Pesha neto	1,2 kg	

- Për shkak të programit tonë të vazhdueshëm të kërkim-zhvillimit, specifikimet që jepen këtu mund të ndryshojnë pa dhënë njoftim.
- Specifikimet mund të ndryshojnë nga njëri shtet në tjetrin.
- Pesha mund të ndryshojë në varësi të aksesorit(ëve). Kombinimi më i lehtë dhe më i rëndë, sipas Procedurës EPTA 01/2014, tregohet në tabelë.

## Përdorimi i synuar

Pajisja është synuar për shpim me goditje dhe shpim në tulla, beton dhe gur, si edhe për punime me daltë. Është gjithashtu e përshtatshme për shpim pa goditje në dru, metal, qeramikë dhe plastikë.

## Furnizimi me energji

Vegla duhet të lidhet vetëm me një furnizim me energjie me të njëjtin tension të treguar në pllakëzën metalike udhëzuese dhe mund të funksionojë vetëm me rrymë alternative njëfazore. Ata kanë izolim të dyfishtë dhe mund të përdorin priza pa tokëzim.

## Zhurma

Niveli tipik i zhurmës A, i matur sipas EN60745-2-6:

### Modeli HR3011FC

Niveli i presionit të zhurmës ( $L_{pA}$ ): 94 dB (A)  
 Niveli i fuqisë së zhurmës ( $L_{WA}$ ): 105 dB (A)  
 Pasiguria (K): 3 dB (A)

### Modeli HR3012FC

Niveli i presionit të zhurmës ( $L_{pA}$ ): 93 dB (A)  
 Niveli i fuqisë së zhurmës ( $L_{WA}$ ): 104 dB (A)  
 Pasiguria (K): 3 dB (A)

### Modeli HR3001C

Niveli i presionit të zhurmës ( $L_{pA}$ ): 94 dB (A)  
 Niveli i fuqisë së zhurmës ( $L_{WA}$ ): 105 dB (A)  
 Pasiguria (K): 3 dB (A)

### Modeli HR3011FC me DX10

Niveli i presionit të zhurmës ( $L_{pA}$ ): 96 dB (A)  
 Niveli i fuqisë së zhurmës ( $L_{WA}$ ): 107 dB (A)  
 Pasiguria (K): 3 dB (A)

### Modeli HR3012FC me DX11

Niveli i presionit të zhurmës ( $L_{pA}$ ): 94 dB (A)  
 Niveli i fuqisë së zhurmës ( $L_{WA}$ ): 105 dB (A)  
 Pasiguria (K): 3 dB (A)

**SHËNIM:** Vlerat e deklaruar totale të emetimeve të zhurmës janë matur sipas një metode standarde testimi dhe mund të përdoren për të krahasuar një vegël me një tjetër.

**SHËNIM:** Vlerat e deklaruar të emetimeve të zhurmës mund të përdoren për një vlerësim paraprak të ekspozimit.

**⚠️ PARALAJMËRIM:** Mbani mbrojtëse për veshët.

**⚠️ PARALAJMËRIM:** Emetimet e zhurmës gjatë përdorimit aktual të veglës elektrike mund të ndryshojnë nga vlerat e deklaruara në varësi të mënyrave sesi përdoret vegla, veçanërisht nga lloji i materialit të punës që përdoret.

**⚠️ PARALAJMËRIM:** Vërtetoni që masat e sigurisë për mbrojtjen e përdoruesit bazohen në vlerësimin e ekspozimit ndaj kushteve aktuale të përdorimit (duke marrë parasysh të gjitha pjesët e ciklit të funksionimit si ato kur pajisja është e fikur dhe punon pa prerë ashtu edhe kohën e përdorimit).

## Dridhja

Tabela e mëposhtme tregon vlerën totale të dridhjeve (shuma e vektorit me tre akse) që përcaktohet sipas standardit të aplikueshëm.

### Modeli HR3011FC

Regjimi i punës	Emetimi i dridhjeve	Faktori i pasigurisë (K)	Standardi i zbatueshëm
Shpimi me goditje në beton ( $a_{h, HD}$ )	9,5 m/s <sup>2</sup>	1,5 m/s <sup>2</sup>	EN60745-2-6
Shpimi me goditje në beton me DX10 ( $a_{h, HD}$ )	9,5 m/s <sup>2</sup>	1,5 m/s <sup>2</sup>	EN60745-2-6
Funksioni i punimit me dallë me mbajtëse anësore ( $a_{h, Chex}$ )	6,0 m/s <sup>2</sup>	1,5 m/s <sup>2</sup>	EN60745-2-6
Shpimi në metal ( $a_{h, D}$ )	5,5 m/s <sup>2</sup>	1,5 m/s <sup>2</sup>	EN62841-2-1

### Modeli HR3012FC

Regjimi i punës	Emetimi i dridhjeve	Faktori i pasigurisë (K)	Standardi i zbatueshëm
Shpimi me goditje në beton ( $a_{h, HD}$ )	9,5 m/s <sup>2</sup>	1,5 m/s <sup>2</sup>	EN60745-2-6
Shpimi me goditje në beton me DX11 ( $a_{h, HD}$ )	8,0 m/s <sup>2</sup>	1,5 m/s <sup>2</sup>	EN60745-2-6
Funksioni i punimit me dallë me mbajtëse anësore ( $a_{h, Chex}$ )	5,5 m/s <sup>2</sup>	1,5 m/s <sup>2</sup>	EN60745-2-6
Shpimi në metal ( $a_{h, D}$ )	6,0 m/s <sup>2</sup>	1,5 m/s <sup>2</sup>	EN62841-2-1

### Modeli HR3001C

Regjimi i punës	Emetimi i dridhjeve	Faktori i pasigurisë (K)	Standardi i zbatueshëm
Shpimi me goditje në beton ( $a_{h, HD}$ )	13,5 m/s <sup>2</sup>	1,5 m/s <sup>2</sup>	EN60745-2-6
Funksioni i punimit me dallë me mbajtëse anësore ( $a_{h, Chex}$ )	11,0 m/s <sup>2</sup>	1,5 m/s <sup>2</sup>	EN60745-2-6
Shpimi në metal ( $a_{h, D}$ )	6,0 m/s <sup>2</sup>	1,5 m/s <sup>2</sup>	EN62841-2-1

**SHËNIM:** Vlerat e deklaruara totale të dridhjeve janë matur sipas një metode standarde testimi dhe mund të përdoren për të krahasuar një vegël me një tjetër.

**SHËNIM:** Vlerat e deklaruara totale të dridhjeve mund të përdoren për një vlerësim paraprak të ekspozimit.

**⚠️ PARALAJMËRIM:** Emetimet e dridhjeve gjatë përdorimit aktual të veglës elektrike mund të ndryshojnë nga vlerat e deklaruara në varësi të mënyrave sesi përdoret vegla, veçanërisht nga lloji i materialit të punës që përdoret.

**⚠️ PARALAJMËRIM:** Vërtetoni që masat e sigurisë për mbrojtjen e përdoruesit bazohen në vlerësimin e ekspozimit ndaj kushteve aktuale të përdorimit (duke marrë parasysh të gjitha pjesët e ciklit të funksionimit si ato kur pajisja është e fikur dhe punon pa prerë ashtu edhe kohën e përdorimit).

## Deklarata e konformitetit me KE-në

### Vetëm për shtetet evropiane

Deklarata e konformitetit me KE-në përfshihet si Shtojca A në këtë manual përdorimi.

## PARALAJMËRIME SIGURIE

### Paralajmërimet e përgjithshme për sigurinë e veglës

**⚠️ PARALAJMËRIM:** Lexoni të gjitha paralajmërimet për sigurinë, udhëzimet, ilustrimet dhe specifikimet e dhëna me këtë vegël elektrike. Mosndjekja e të gjitha udhëzimeve të renditura më poshtë mund të shkaktojë goditje elektrike, zjarr dhe/ose lëndim të rëndë.

### Ruajni të gjitha paralajmërimet dhe udhëzimet për të ardhmen.

Termi “vegël elektrike” në paralajmërimet i referohet veglës elektrike që përdoret e lidhur në prizë (me kordon) ose veglës së përdorur me bateri (pa kordon).

## PARALAJMËRIME SIGURIE PËR ÇEKIÇIN RROTULLUES

1. Mbani mbrojtëse për veshët. Ekspozimi ndaj zhurmës mund të shkaktojë humbjen e dëgjimit.
2. Përdorni dorezën(at) ndihmëse nëse jepen bashkë me pajisjen. Humbja e kontrollit mund të shkaktojë dëmtime personale.
3. Mbajeni veglën elektrike të sipërfaqet kapëse të izoluarra dorezën(at) ndihmëse nëse jepen bashkë me pajisjen. Humbja e kontrollit mund të shkaktojë dëmtime personale.
4. Mbajeni kapele të fortë (helmetë sigurie), syze sigurie dhe/ose mbrojtëse fytyre. Syzet e zakonshme ose syzet e diellit NUK janë syze sigurie. Gjithashtu rekomandohet që të mbani maskë kundër pluhurit dhe doreza të trasha.
5. Sigurohuni që puntoja të jetë e siguruar në vend përpara përdorimit.
6. Në përdorim normal, vegla është projektuar që të prodhojë dridhje. Vidat mund të lirohen lehtësisht, duke shkaktuar prishje ose aksident. Kontrolloni me kujdes shtrëngimin e vidave përpara përdorimit.
7. Në mot të ftohtë ose kur vegla nuk është përdorur për një kohë të gjatë, lërimi veglën të ngrohet për pak kohë duke e përdorur pa ngarkesë. Kjo do të lehtësojë lubrifikimin. Funksionimi me goditje është i vështirë pa pasur nxehjen e duhur.
8. Gjithmonë sigurohuni që të keni bazament të fortë qëndrimi. Sigurohuni që të mos ketë njeri poshtë ndërkohë që e përdorni pajisjen në vende të larta.
9. Mbajeni veglën fort me të dyja duart.
10. Mbajini duart larg pjesëve lëvizëse.
11. Mos e lini veglën të ndezur. Përdorimi i veglës vetëm duke e mbajtur në dorë.
12. Ndërsa punoni, mos ia drejtoni veglën asnjërit prej personave në zonë. Puntaja mund të fluturojë dhe mund të lëndojë rëndë ndonjë njeri.
13. Mos e prekni puntën, pjesët afër puntos ose materialin e punës, menjëherë pas veprimit; ato mund të jenë shumë të nxehta dhe mund t'ju djegin lëkurën.
14. Disa materiale përmbajnë kimikate që mund të jenë toksike. Kini kujdes që të parandaloni thithjen e pluhurave dhe kontaktin me lëkurën. Ndiqu të dhënat e sigurisë nga furnizuesi i materialit.
15. Mos e prekni prizën e rrymës me duar të lagura.

## RUAJINI KËTO UDHËZIME.

**▲PARALAJMËRIM:** MOS lejoni që njohja ose familjarizimi me produktin (të fituara nga përdorimi i shpeshtë) të zëvendësojnë zbatimin me përpikëri të rregullave të sigurisë për produktin në fjalë. KEQPËRDORIMI ose mosndjekja e rregullave të sigurisë të dhëna në këtë manual përdorimi mund të shkaktojë dëmtime të rënda personale.

## PËRSHKRIMI I PUNËS

**▲KUJDES:** Sigurohuni gjithmonë që vegla është fikur dhe hequr nga korrenti përpara se ta rregulloni apo t'i kontrolloni funksionet.

### Veprimi i ndërrimit

**▲KUJDES:** Përpara se ta vendosni veglën në korrent, kontrolloni gjithmonë nëse këmbëza e çelësit është në pozicionin e duhur dhe nëse kthehet në pozicionin "FIKUR" kur lëshohet.

Për ta ndezur veglën, thjesht tërhiqni këmbëzën e çelësit. Shpejtësia e veglës rritet me rritjen e trysnisë në këmbëzën e çelësit. Lëshoni këmbëzën e çelësit për ta fikur.

► Fig.1: 1. Këmbëza e çelësit

### Ndezja e llambës së përparme

Vetëm për HR3011FC HR3012FC

**▲KUJDES:** Mos e shikoni direkt dritën ose burimin e dritës.

Për të ndezur llambën, tërhiqni këmbëzën e çelësit. Lëshoni këmbëzën e çelësit për ta fikur.

► Fig.2: 1. Llamba

**SHËNIM:** Përdorni një leckë të thatë për të fshirë papastërtitë nga lentet e llambës. Bëni kujdes të mos gërvishitni lentet e llambës, në të kundërt ajo do të ulë ndriçimin.

### Çelësi i ndryshimit të veprimit

**▲KUJDES:** Kontrolloni gjithmonë drejtimin e rrotullimit përpara përdorimit.

**▲KUJDES:** Përdorni çelësin e ndryshimit vetëm pasi vegla të ndalojë plotësisht. Ndryshimi i drejtimin të rrotullimit përpara se të ndalojë vegla mund të dëmtojë veglën.

**VINI RE:** Kur ndërroni drejtimin e rrotullimit, sigurohuni që ta vendosni çelësin e ndryshimit në anën A ose anën B. Ndryshe, kur tërhiqet këmbëza e çelësit, motori mund të mos rrotullohet ose vegla mund të mos punojë siç duhet.

Vegla ka një çelës ndryshimi për të ndryshuar drejtimin e rrotullimit. Lëvizni levën e ndryshimit të veprimit në pozicionin e anës A për rrotullim në drejtim të akrepave të orës ose në pozicionin e anës B për rrotullim në drejtim të kundërt të akrepave të orës.

► Fig.3: 1. Leva e ndryshimit të veprimit



## Ndryshimi i mandrinës për ndryshimin e shpejtë të SDS-plus

### Vetëm për modelin HR3012FC

Mandrina për ndryshimin e shpejtë të SDS-plus mund të ndryshohet lehtësisht me mandrinën e shpimit për ndryshim të shpejtë.




## Heqja e mandrinës për ndryshimin e shpejtë të SDS-plus

**▲KUJDES:** Përpara se të hiqni mandrinën për ndryshimin e shpejtë të SDS-plus, sigurohuni që të hiqni puntun.

Merrni kapakun e ndryshimit të mandrinës për ndryshimin e shpejtë të SDS-plus dhe rrotullojeni në drejtim të shigjetës derisa vija e kapakut të ndryshimit të lëvizë nga simboli  në simbolin . Tërhiqni me gjithë forcën në drejtim të shigjetës.

► **Fig.4:** 1. Mandrina për ndryshimin e shpejtë të SDS-plus 2. Kapaku i ndërrimit 3. Vija e kapakut të ndërrimit

## Instalimi i mandrinës së shpimit për ndryshimin e shpejtë

Kontrolloni që vija e mandrinës së shpimit për ndryshimin e shpejtë të tregojë simbolin . Kapni kapakun e ndryshimit të mandrinës së shpimit për ndryshimin e shpejtë dhe vendosni vijën në simbolin . Vendoseni mandrinën e shpimit për ndryshimin e shpejtë në boshtin e veglës. Kapni kapakun e ndryshimit të mandrinës së shpimit për ndryshimin e shpejtë dhe rrotulloni vijën e kapakut të ndryshimit në simbolin  derisa të dëgjohet qartë një kërcitje.


► **Fig.5:** 1. Mandrina e shpimit për ndryshimin e shpejtë 2. Boshti 3. Vija e kapakut të ndërrimit 4. Kapaku i ndërrimit

## Zgjedhja e mënyrës së veprimit

**VINI RE:** Mos e rrotulloni dorezën për ndryshimin e modalitetit të punës kur vegla është ndezur. Vegla mund të dëmtohet.

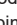
**VINI RE:** Për të shmangur konsumimin e shpejtë të mekanizmit të ndryshimit të modalitetit, sigurohuni që doreza e ndryshimit të modalitetit të punës të jetë vendosur siç duhet në një nga tre pozicionet e modalitetit të punës.

## Rrotullimi me goditje

Për shpime në beton, në mur etj., rrotulloni dorezën për ndryshimin e modalitetit të punës në simbolin . Përdorni punto me majë tungsten-karbiti (aksesor opsional).


► **Fig.6:** 1. Rrotullimi me goditje 2. Doreza për ndryshimin e modalitetit të punës

## Vetëm rrotullim

Për shpim në materiale druri, metali ose plastike, rrotulloni dorezën për ndryshimin e modalitetit të punës në simbolin . Përdorni një punto shpimi turjelë ose punto shpimi për dru.

► **Fig.7:** 1. Vetëm rrotullim

## Vetëm goditje

Për punime ciflozeje, leskërimi ose shkatërrimi, rrotulloni dorezën për ndryshimin e modalitetit të punës në simbolin . Përdorni një bulino shpuese, dalltë të ftohtë, dalltë për leskërim etj.

► **Fig.8:** 1. Vetëm goditje

## Kufizuesi i rrotullimit

**VINI RE:** Sapo të aktivizohet kufizuesi i rrotullimit, fikni menjëherë veglën. Kjo ndihmon në parandalimin e konsumimit të parakohshëm të veglës.

**VINI RE:** Punto shpimi, si sharra për vrima, që kanë tendencë të bllokohen ose të ngecin lehtësisht në vrimë nuk janë të përshtatshme për këtë vegël. Kjo do të bëjë që kufizuesi i rrotullimit të aktivizohet shumë shpesh.

Kufizuesi i rrotullimit do të aktivizohet kur të arrihet një nivel i caktuar i rrotullimit. Motori do të shkëputet nga boshti në dalje. Nëse ndodh diçka e tillë, puntotja ndalon së rrotulluari.

## Funksioni elektronik

Vegla është e pajisur me funksione elektronike për përdorim të lehtë.

- Kontrolli i shpejtësisë konstante  
Funksioni i kontrollit të shpejtësisë ofron rrotullim konstant pavarësisht kushteve të ngarkesës.

## Tubi i ajrit

### Vetëm për HR3011FC HR3012FC

**▲KUJDES:** Mos e fusni gishtin në tubin e ajrit ose mos fusni ndonjë objekt tjetër në tubin e ajrit. Ndryshe mund të lëndoheni ose vegla mund të dëmtohet.

Tubi i ajrit është për lidhjen me sistemin e thithjes së pluhurit.

Kur përdorni sistemin e thithjes së pluhurit, lexoni pjesën rreth sistemit të thithjes së pluhurit.

► **Fig.9:** 1. Tubi i ajrit

## MONTIMI

**▲KUJDES:** Jini gjithnjë të sigurt që vegla është fikur dhe hequr nga korrenti përpara se të bëni ndonjë punë mbi të.

## Mbajtëse anësore (dorezë ndihmëse)

**▲KUJDES:** Përdorni gjithmonë mbajtësen anësore për të garantuar funksionim të sigurt.

**▲KUJDES:** Pas instalimit apo rregullimit të mbajtëses anësore, sigurohuni që mbajtësja anësore të jetë mbërthyer mirë.

Për të instaluar mbajtësen anësore, ndiqni hapat e mëposhtëm.

1. Lironi vidën me veshë në mbajtësen anësore.  
► **Fig.10:** 1. Vida me veshë
2. Vendosni mbajtësen anësore ndërsa shtypni vidën me veshë në mënyrë të tillë që kanalet në mbajtëse të përshtaten me pjesët e dala në trupin e veglës.  
► **Fig.11:** 1. Vida me veshë
3. Shtrengoni vidën me veshë për të siguruar mbajtësen. Mbajtësja mund të fiksohet në këndin e dëshiruar.

## Grasoja

Lyejeni paraprakisht me një sasi të vogël grasoje (rreth 0,5-1 g) pjesën boshtore të puntos së shpimit. Ky grasoje mundëson një punë më të shtruar dhe jetëgjatësi shërbimi.

## Instalimi ose heqja e puntos së shpimit

Pastrojeni pjesën boshtore të puntos së shpimit dhe lyejeni me graso përpara se të vendosni puntën e shpimit.  
► **Fig.12:** 1. Pjesa boshtore 2. Grasoja

Futeni puntën e shpimit në vegël. Rrotullojeni puntën e shpimit dhe shtypni derisa të mbërthehet. Pas vendosjes së puntos së shpimit, sigurohuni gjithmonë që puntat e shpimit është siguruar mirë në vend duke u përpjekur ta nxirri.  
► **Fig.13:** 1. Maja e puntos

Për të hequr puntën e shpimit, tërhiqni poshtë deri në fund kapakun e mandrinës dhe nxirreni puntën e shpimit jashtë.  
► **Fig.14:** 1. Maja e puntos 2. Kapaku i mandrinës

## Këndi i daltës (gjatë ciflosjes, leskërimit ose shkatërrimit)

Dalta mund të sigurohet në këndin e dëshiruar. Për të ndryshuar këndin e daltës, rrotulloni dorezën e ndryshimit të modalitetit të punës në simbolin O. Rrotulloni daltën në këndin e dëshiruar.  
► **Fig.15:** 1. Doreza për ndryshimin e modalitetit të punës

Rrotulloni dorezën e ndryshimit të modalitetit të punës në simbolin T. Më pas sigurohuni që dalta të jetë shtrenguar sa duhet duke e rrotulluar pak.

## Matësi i thellësisë

Matësi i thellësisë është i përshtatshëm për shpimin e vrimave me thellësi të njëtrajtshme. Shtypni dhe mbani shtypur butonin e bllokimit dhe më pas vendosni matësin e thellësisë në vrimën hegzagonale. Sigurohuni që ana e dhëmbëzuar e matësit të thellësisë të jetë me drejtim nga shenja.  
► **Fig.16:** 1. Matësi i thellësisë 2. Butoni i bllokimit 3. Shenja 4. Ana e dhëmbëzuar

Rregulloni matësin e thellësisë duke e lëvizur përpara dhe pas ndërkohë që shtypni butonin e bllokimit. Pas rregullimit, lëshoni butonin e bllokimit për të bllokuar matësin e thellësisë.

**SHËNIM:** Sigurohuni që matësi i thellësisë të mos prekë trupin kryesor të veglës kur bashkohet.

## Kupa kundër pluhurit

### Aksesor opsional

Përdorni kupën kundër pluhurit për të parandaluar shpërndarjen e pluhurit mbi vegël dhe mbi veten tuaj gjatë punimeve të shpimit në tavan. Bashkëngjitni kupën kundër pluhurit në punto siç tregohet në figurë. Përmasa e puntave ku mund të bashkëngjitet kupa kundër pluhurit është si më poshtë.

Modeli	Diametri i puntos
Kupa kundër pluhurit 5	6 mm - 14,5 mm
Kupa kundër pluhurit 9	12 mm - 16 mm

► **Fig.17:** 1. Kupa kundër pluhurit

## Kompleti i kupës kundër pluhurit

### Aksesor opsional

## Për modelet HR3011FC, HR3001C

**VINI RE:** Kur përdorni kompletin e kupës kundër pluhurit në HR3011FC, HR3001C, kërkohet gjithashtu edhe distancatori.

Përpara instalimit të kompletit të kupës kundër pluhurit, hiqeni puntën nga vegla nëse është e instaluar. Bashkoni distancatorin me kompletin e kupës kundër pluhurit. Simboli  $\Delta$  në kupën kundër pluhurit është i bashkërenditur me kanalin në distancator.

► **Fig.18:** 1. Distancatori 2. Simboli  $\Delta$  3. Kanali

Instaloni kompletin e kupës kundër pluhurit me distancatorin në vegël në mënyrë që simboli  $\Delta$  në kupën kundër pluhurit të bashkërenditet me kanalin në vegël.

► **Fig.19:** 1. Simboli  $\Delta$  2. Kanali

Për të hequr kompletin e kupës së pluhurit, hiqeni puntën ndërsa tërhiqni kapakun e mandrinës në drejtimin e shijetës.

► **Fig.20:** 1. Puntat 2. Kapaku i mandrinës

Mbajeni bazën e kupës së pluhurit dhe tërhiqeni jashtë.

► **Fig.21**

## Për modelin HR3012FC

Përpara instalimit të kompletit të kupës kundër pluhurit, hiqeni puntën nga vegla nëse është e instaluar. Instaloni kompletin e kupës kundër pluhurit në vegël në mënyrë që simboli  $\Delta$  në kupën kundër pluhurit të bashkërenditet me kanalin në vegël.

► **Fig.22:** 1. Simboli  $\Delta$  2. Kanali

Për të hequr kompletin e kupës së pluhurit, hiqeni puntën ndërsa tërhiqni kapakun e mandrinës në drejtimin e shijetës.

► **Fig.23:** 1. Puntat 2. Kapaku i mandrinës

Mbajeni bazën e kupës së pluhurit dhe tërhiqeni jashtë.

► **Fig.24**

**SHËNIM:** Nëse lidhni një fshesë me korrent me kompletin e kupës kundër pluhurit, hiqeni kapakun kundër pluhurit përpara se ta lidhni.

► **Fig.25:** 1. Kapaku kundër pluhurit

**SHËNIM:** Nëse kapaku hiqet nga kupa kundër pluhurit, bashkojeni me anën e printuar lart në mënyrë që kanali në kapak të puthitet me pjesën e brendshme të periferisë së aksesorit.

► **Fig.26**

## Varësja e veglës

### Aksesor opsional

**▲ PARALAJMËRIM:** Mos e përdorni varësen e veglës dhe vidën nëse janë të dëmtuara.

**▲ PARALAJMËRIM:** Përdorni vetëm vidën e dhënë me varësen e veglës.

**▲ PARALAJMËRIM:** Përpara përdorimit të varës së veglës, kontrolloni për dëmtime, plasaritje ose deformime dhe sigurohuni që vida të jetë e shtrënguar.

**▲ KUIJDES:** Instaloni ose hiqni varësen e veglës në një tavolinë ose sipërfaqe të qëndrueshme.

Varësja e veglës është prodhuar për lidhjen e kordonit (rripit lidhës). Për të instaluar varësen e veglës me veglën, ndiqni hapat e mëposhtëm.

1. Shkëputeni spinën nga burimi i energjisë.
2. Fusi pjesët e dala të varës së veglës në vrimat e veglës.
3. Shtrëngoju mirë vidat.

► Fig.27: 1. Varësja e veglës 2. Vrima 3. Pjesa e dalë 4. Vida

## SISTEMI I THITHJES SË PLUHRIT

### Vetëm për HR3011FC HR3012FC

#### Aksesor opsional

Sistemi i thithjes së pluhurit është projektuar për të thithur pluhurin me efikasitet kur shpini beton.

► Fig.28: 1. Sistemi i thithjes së pluhurit

**▲ KUIJDES:** Sigurohuni që vegla të jetë fikur dhe hequr nga korrenti përpara se të bëni ndonjë punë mbi të. Moskryerja e këtij veprimi mund të shkaktojë lëndim personal nga ndezja aksidentale.

**▲ KUIJDES:** Gjithmonë vendosni filtrin e sistemit të thithjes së pluhurit. Në të kundërt shkaktohet thithje e pluhurit me frymëmarrje.

**▲ KUIJDES:** Kontrolloni që filtri nuk është dëmtuar. Në të kundërt mund të shkaktohet thithje e pluhurit me frymëmarrje.

**VINI RE:** Mos e përdorni sistemin e thithjes së pluhurit për shpim me diamant ose punim me daltë. Sistemi i thithjes së pluhurit është vetëm për shpim.

**VINI RE:** Mos e përdorni sistemin e thithjes së pluhurit për metal ose dru. Sistemi i thithjes së pluhurit është vetëm për beton.

**VINI RE:** Mos e përdorni sistemin e thithjes së pluhurit për shpim në beton të lagur ose mos e përdorni këtë sistem në ambient të lagur. Në të kundërt mund të shkaktohet keqfunksionim.

**SHËNIM:** Sistemi i thithjes së pluhurit e thith pluhurin e krijuar në një shkallë të konsiderueshme, por nuk mund të thithet i gjithë pluhuri.

## Instalimi ose heqja e sistemit të thithjes së pluhurit

**VINI RE:** Përpara instalimit të sistemit të thithjes së pluhurit, pastroni pjesët bashkuese të veglës dhe sistemit të thithjes së pluhurit.

Lëndët e huaja në pjesët bashkuese mund ta bëjnë të vështirë instalimin e sistemit të thithjes së pluhurit. Në veçanti, lëndët e huaja në ndërfaqen elektrike mund të shkaktojnë keqfunksionim.

Nëse mbetet pluhur në tubin e ajrit, pluhuri hyn në vegël dhe shkakton bllokim të qarkullimit të ajrit ose prishje të veglës.

Lidheni sistemin e thithjes së pluhurit me veglën, dhe më pas fusni sistemin e thithjes së pluhurit deri në fund derisa të kyçet në vend me një kërcitje të lehtë të dyfishtë. Pas kësaj, sigurohuni që sistemi i thithjes së pluhurit të jetë instaluar mirë.

► Fig.29: 1. Tubi i ajrit

Pas heqjes së sistemit të thithjes së pluhurit, shtypni butonin e zhbllokimit.

► Fig.30: 1. Butoni i zhbllokimit

## Rregullimi i pozicionit të hundëzës së sistemit të thithjes së pluhurit

**▲ KUIJDES:** Mos e drejtoni hundëzën drejt vetes ose të tjerëve kur lëshoni hundëzën duke shtypur butonin e rregullimit të udhëzuesit.

Shtyni përpara udhëzuesin ndërsa shtyni butonin e rregullimit të udhëzuesit dhe më pas lëshojeni butonin e rregullimit të udhëzuesit në pozicionin e dëshiruar.

► Fig.31: 1. Udhëzuesi 2. Butoni i rregullimit të udhëzuesit

## Rregullimi i thellësisë së shpimit të sistemit të thithjes së pluhurit

Rrëshqiteni butonin e rregullimit të thellësisë në pozicionin e dëshiruar ndërsa e shtyni. Distanca (A) është thellësia e shpimit.

► Fig.32: 1. Butoni i rregullimit të thellësisë

## Shkundja e pluhurit në filtër

**▲ KUIJDES:** Mos e rrotulloni diskun në kutinë e pluhurit ndërkohë që pluhuri hiqet nga sistemi i grumbullimit të pluhurit. Duke vepruar kështu mund të shkaktohet thithje të pluhurit me frymëmarrje.

**▲ KUIJDES:** Gjithmonë fikeni veglën kur rrotulloni diskun në kutinë e pluhurit. Rrotullimi i diskut gjatë kohës që vegla është në punë mund të rezultojë në humbje të kontrollit të veglës.

Duke shkundur pluhurin në filtër brenda kutisë së pluhurit, mund të ruani efikasitetin e fshesës me korrent dhe gjithashtu të reduktoni numrin e rasteve që hidhni pluhurin. Rrotulloni diskun në kutinë e pluhurit tri herë pasi grumbullohen çdo 50 000 mm<sup>3</sup> pluhur ose kur e ndieni se performanca e fshesës me korrent bie.

**SHËNIM:** 50 000 mm<sup>3</sup> pluhur janë të barabarta me shpimin e 10 vrimave prej ø10 mm dhe 14 mm thellësi (2 vrima prej ø65" dhe 3/8" thellësi).

► **Fig.33:** 1. Kutia e pluhurit 2. Disku

## Flakja e pluhurit

**▲KUJDES:** Kur të hidhni pluhurin mbani veshur maskë kundër pluhurit.

**▲KUJDES:** Zbrazeni kutinë e pluhurit rregullisht përpara se kutia e pluhurit të mbushet plot. Nëse nuk veproni kështu, mund të ulet rendimenti i thithjes së pluhurit dhe më pas mund të shkaktohet thithje e pluhurit me frymëmarrje.

**▲KUJDES:** Si udhëzim, zëvendësojeni filtrin me një të ri pas rreth 200 herësh mbushjeje me pluhur. Filtri i bllokuar ul rendimentin e thithjes së pluhurit dhe më pas mund të shkaktohet thithje e pluhurit me frymëmarrje.

**VINI RE:** Kur pastroni filtrin, goditni lehtë me dorë kutinë e filtrit për të hequr pluhurat. Mos goditni drejtpërdrejt filtrin; mos e prekni filtrin me furçë ose diçka të ngjashme dhe mos fryni ajër të ngjeshur mbi filtër. Ky veprim mund ta dëmtojë filtrin.

1. Hiqeni kutinë e pluhurit ndërsa mbani shtypur levën e kutisë së pluhurit.

► **Fig.34:** 1. Leva

2. Hapni kapakun e kutisë së pluhurit.

► **Fig.35:** 1. Kapaku

3. Hidhni pluhurin dhe më pas pastroni filtrin.

► **Fig.36**

## Zëvendësimi i filtrit të kutisë së pluhurit

1. Hiqeni kutinë e pluhurit ndërsa mbani shtypur levën e kutisë së pluhurit. (Referojuni seksionit për hedhjen e pluhurit.)

2. Hapni kapakun e filtrit të kutisë së pluhurit.

► **Fig.37:** 1. Kapaku i filtrit

3. Hiqni filtrin nga kutia e filtrit.

► **Fig.38:** 1. Filtri 2. Kutia e filtrit

4. Vendosni një filtër të ri në kutinë e filtrit dhe më pas vendosni kapakun e filtrit.

5. Mbyllni kapakun e kutisë së filtrit dhe më pas vendosni kutinë e pluhurit te sistemi i thithjes së pluhurit.

## Zëvendësimi i kapakut izolues

Nëse kapaku izolues është i konsumuar, ulet rendimenti i thithjes së pluhurit. Zëvendësojeni nëse është konsumuar.

Hiqni kapakun izolues dhe më pas vendosni një të ri me pjesën e dalë lart.

► **Fig.39:** 1. Pjesa e dalë 2. Kapaku izolues

## PËRDORIMI

**▲KUJDES:** Gjatë përdorimit, përdorni gjithmonë mbajtësen anësore (dorezën ndihmëse) dhe mbajeni veglën fort nga mbajtësja anësore dhe nga doreza e çelësit.

**▲KUJDES:** Sigurohuni gjithnjë që materiali i punës të jetë siguruar përpara fillimit të punës.

**▲KUJDES:** Mos e tërhiqni veglën me forcë, edhe nëse puntoja ngec. Humbja e kontrollit mund të shkaktojë lëndime.


**▲KUJDES:** Vetëm për HR3011FC HR3012FC

Përpara se të përdorni sistemin e thithjes së pluhurit me veglën, lexoni pjesën rreth sistemit të thithjes së pluhurit.

► **Fig.40**

## Funksionimi i shpimit me goditje

**▲KUJDES:** Kur vrima bllokohet me cifla dhe grimca ose gjatë goditjes së shufrave përforcuese të futura në beton, ushtrohet një forcë e madhe dhe e papritur përdredhjeje në vegël/punton turjelë në momentin e çarjes së vrimës. **Gjatë përdorimit, përdorni gjithmonë mbajtësen anësore (dorezën ndihmëse) dhe mbajeni veglën fort nga mbajtësja anësore dhe nga doreza e çelësit.** Në të kundërt, mund të shkaktohet humbja e kontrollit të veglës dhe lëndim i rëndë i mundshëm.


Vendosni dorezën e ndryshimit të regjimit të punës në simbolin .

Poziciononi majën e trapanit në vendin e dëshiruar për vrimën, pastaj tërhiqni çelësin. Mos ushtroni forcë mbi veglën. Presioni i lehtë jep rezultatet më të mira. Mbajeni veglën në pozicion dhe mos lejoni që të rrëshqasë nga vrima.

Mos ushtroni më shumë forcë kur vrima bllokohet nga cifla ose grimca. Më mirë ndizeni veglën pa e vënë në punë dhe më pas hiqeni majën e trapanit pjesërisht nga vrima. Duke e përsëritur këtë disa herë, vrima do të pastrohet dhe do të rifillojë shpimi normal.

**SHËNIM:** Jashtëqendërimi në rrotullimin e puntos së shpimit mund të ndodhë gjatë vënies në punë të veglës pa ngarkesë. Vegla qendërzohet vetë gjatë punës. Kjo nuk ndikon në precizionin e shpimit.

## Ciflosje/Leskërim/Shkatërrim

Vendosni dorezën për ndryshimin e modalitetit të punës në simbolin .

Mbajeni veglën fort me të dyja duart. Ndizeni veglën dhe ushtroni një presion të lehtë mbi vegël në mënyrë që të mos bëjë lëvizje të pakontrolluara.

Ushtrimi i presionit të madh mbi vegël nuk do të rrisë efikasitetin.

► **Fig.41**



## Shpimi në dru ose metal


**▲KUJDES:** Mbajeni veglën fort dhe bëni kujdes kur maja e puntos fillon të depërtojë përmes objektit që po punohet. Gjatë depërtimit të puntos në anën e kundërt të objektit mbi vegël/majën e puntos ushtrohet një forcë e madhe shpuese.

**▲KUJDES:** Maja e puntos e ngecur mund të hiqet thjesht duke vendosur çelësin e ndryshimit në rrotullimin e anasjelltë për ta nxjerrë puntos. Megjithatë, vegla mund të dalë papritmas nëse nuk e mbani fort.

**▲KUJDES:** Sigurori gjithmonë materialet e punës në morskë ose pajisje të ngjashme për shtrëngim.

**VINI RE:** Mos përdorni kurrë “rrotullim me goditje” kur mandrina e shpimit është e instaluar në vegël. Mandrina e shpimit mund të dëmtohet. Gjithashtu mandrina e shpimit do të hiqet kur vegla të kthehet mbrapsht.

**VINI RE:** Shtypja e tepërt e veglës nuk do të shpejtojë shpimin. Në fakt, shtypja e madhe do të dëmtojë majën e puntos, zvogëlon efikasitetin e veglës dhe shkurton afatin e përdorimit të veglës.

Vendoseni dorezën për ndryshimin e modalitetit të punës në simbolin .

## Për modelet HR3011FC, HR3001C

### Aksesor opsional

Vendoseni përshtatësin e mandrinës në një mandrinë shpimi pa çelësa te e cila mund të instalohet një vidë e madhësisë 1/2"-20 dhe më pas instalohet ato te vegla. Gjatë instalimit të saj referojuni seksionit “Instalimi ose heqja e puntos së shpimit”.

► **Fig.42:** 1. Mandrinë shpimi pa çelësa 2. Përshtatësi i mandrinës

## Për modelin HR3012FC


Përdorni mandrinën e shpimit që ndërrohet shpejt si pajisje standarde. Për ta instaluar referojuni “Ndryshimi i mandrinës për ndryshimin e shpejtë të SDS-plus”. Mbani unazën dhe ktheni bokullën në drejtimin e kundërt të akrepave të orës për të hapur nofullat e mandrinës. Vendosni puntos në mandrinë deri në fund. Shtrengoni unazën fort dhe ktheni bokullën në drejtimin e akrepave të orës për të shtrenguar mandrinën.

► **Fig.43:** 1. Bokulla 2. Unaza

Për të hequr puntos, mbani unazën dhe ktheni bokullën në drejtim të kundërt të akrepave të orës.

## Shpime me pjesën qendrore prej diamanti

**VINI RE:** Nëse gjatë veprimeve të shpimit me diamant përdorni veprimin “rrotullim me goditje” puntoja me majë diamanti mund të dëmtohet.

Kur kryeni veprime shpimi me diamant, çelësin e ndryshimit të mënyrës së veprimit vendoseni gjithmonë në pozicionin  për të përdorur veprimin “vetëm rrotullim”.

## Fryrësja

### Aksesor opsional

Pas shpimit të vrimës, përdorni fryrësen për të hequr pluhurin nga vrima.

► **Fig.44**

## Përdorimi i kompletit të kupës kundër pluhurit

### Aksesor opsional

Vendoseni kompletin e kupës kundër pluhurit kundrejt tavanit kur përdorni veglën.

► **Fig.45**

**VINI RE:** Mos e përdorni kompletin e kupës kundër pluhurit kur shpini në metal ose material të ngjashëm. Kjo mund të dëmtojë kupën kundër pluhurit për shkak të nxehtësisë së prodhuar nga pluhuri i imët i metalit ose materialeve të ngjashme.

**VINI RE:** Mos e instaloni ose hiqni kompletin e kupës kundër pluhurit me punto të vendosur në vegël. Ajo mund të dëmtojë kompletin e kupës kundër pluhurit dhe mund të shkaktojë rrjedhje të pluhurit.

## Lidhja e kordonit (rripit lidhës) me varësen e veglës

**▲Paralajmërimet e sigurisë specifike për përdorimin në lartësi**

**Lexoni të gjitha paralajmërimet dhe udhëzimet për sigurinë.** Mosndjekja e paralajmërimeve dhe e udhëzimeve mund të rezultojë në lëndime serioze.

1. Gjithmonë mbajeni veglën të lidhur kur punoni “në lartësi”. Gjatësia maksimale e kordonit është 2 m. Lartësia maksimale e lejueshme e rënies së kordonit (rripit lidhës) nuk duhet të jetë mbi 2 m.
2. Përdoreni vetëm me kordon të përshtatshëm për këtë lloj vegle dhe të miratuar për të paktën 7,5 kg.
3. Mos e ancoroni kordonin e veglës në ndonjë gjë në trupin tuaj ose në komponentë të lëvizshëm. Ankoroheni kordonin e veglës në një strukturë të fortë që mund t’u bëjë ballë forcave të një vegle që bie.
4. Sigurohuni që kordoni të jetë siguruar mirë në secilën anë përpara përdorimit.
5. Inspektojini veglën dhe kordonin përpara çdo përdorimi për dëmtime dhe për funksionimin e rregullt (duke përfshirë copën dhe fijet e qepjes). Mos e përdorni nëse është i dëmtuar ose nuk funksionon në rregull.
6. Mos i mbështillni kordonët rrotull cepave të mprehtë ose të ashpër, ose mos i lejoni të bien në kontakt me to.
7. Shtrengojeni anën tjetër të kordonit jashtë zonës së punës në mënyrë që vegla të mbahet në mënyrë të sigurt nëse bie.

8. **Lidheni kordonin në mënyrë të tillë që vegla të lëvizë larg nga operatori nëse bie.** Veglat që bien do të luhaten në kordon, gjë që mund të shkaktojë lëndim ose humbje të ekuilibrit.
9. **Mos e përdorni pranë pjesëve që lëvizin ose makinerive që janë në punë.** Në të kundërt, mund të shkaktohet rrezik shtypjeje ose ngecjeje.
10. **Mos e transportoni veglën nga pajisja e bashkuar ose nga kordoni.**
11. **Verërojeni veglën nga njëra dorë në tjetrën vetëm kur keni ekuilibrin e duhur.**
12. **Mos i bashkoni kordonët me veglën në mënyrë të tillë që pengon funksionimin e duhur të çelësave ose zhbllokuesve (nëse jepen).**
13. **Shmangni ngecjen nëpër kordon.**
14. **Mbajeni kordonin larg zonës së shpimit të veglës.**
15. **Përdorni kllapa me shumë funksione dhe të llojit me vidhosje. Mos përdorni kllapa me një funksion dhe me kapëse.**
16. **Në rast se vegla rrëzohet, ajo duhet të etiketohet dhe të hiqet nga shërbimi dhe duhet të inspektohet nga një fabrikë ose qendër e autorizuar shërbimi Makita.**

► **Fig.46:** 1. Varësja e veglës 2. Kordoni (rripi lidhës)

- Daltë për leskërim
- Daltë për kanale
- Përshtatësi i mandrinos
- Mandrino shpimi pa çelësa
- Grasoja për punton
- Matësi i thellësisë
- Fryrësja
- Kupa kundër pluhurit
- Kompleti i kupës kundër pluhurit
- Distancatori (për HR3011FC, HR3001C)
- Sistemi i thithjes së pluhurit (për HR3011FC, HR3012FC)
- Syzet mbrojtëse
- Varësja e veglës

**SHËNIM:** Disa artikuj të listës mund të përfshihen në paketën e veglës si aksesorë standardë. Ato mund të ndryshojnë nga njëri shtet në tjetrin.

## MIRËMBAJTJA

**▲KUJDES:** Sigurohuni gjithnjë që vegla të jetë fikur dhe të jetë hequr nga korrenti përpara se të kryeni inspektimin apo mirëmbajtjen.

**VINI RE:** Mos përdorni kurrë benzinë, benzinë pastrimi, hollues, alkool dhe të ngjashme. Mund të shkaktoni çngjyrosje, deformime ose krisje.

Për të ruajtur SIGURINË dhe QËNDRUESHMËRINË, riparimet dhe çdo mirëmbajtje apo rregullim tjetër duhen kryer nga qendrat e autorizuara të shërbimit ose të shërbimit të fabrikës të Makita-s, duke përdorur gjithnjë pjesë këmbimi të Makita-s.

## AKSESORË OPSIONALË

**▲KUJDES:** Këta aksesorë ose shtojca rekomandohen për përdorim me veglën Makita të përcaktuar në këtë manual. Përdorimi i aksesorëve apo shtojcave të tjera ndryshe nga këto mund të përbëjë rrezik lëndimi. Aksesorët ose shtojcat përdorini vetëm për qëllimin e tyre të përcaktuar.

Nëse keni nevojë për më shumë të dhëna në lidhje me aksesorët, pyesni qendrën vendore të shërbimit të Makita-s.

- Puntot e trapanos me majë karbiti (puntot me majë karbiti SDS-Plus)
- Punto me majë
- Bulino shpuese
- Puntot me majë diamanti
- Daltë e ftohtë

## СПЕЦИФИКАЦИИ

Модел:		HR3011FC	HR3012FC	HR3001C
Технически възможности	Бетон	30 мм		
	Накрайник за ядково сондиране	80 мм		
	Диамантен накрайник за ядково сондиране (сух тип)	80 мм		
	Стомана	13 мм		
	Дърво	32 мм		
Обороти на празен ход		0 – 840 мин <sup>-1</sup>		
Удари в минута		0 – 4 500 мин <sup>-1</sup>		
Обща дължина		369 мм	386 мм	369 мм
Тегло нето		4,4 – 4,8 кг	4,5 – 4,8 кг	4,1 – 4,6 кг
Клас на безопасност		□/ll		

### Допълнителна принадлежност

Модел:	DX10 (За HR3011FC)	DX11 (За HR3012FC)
Приложими детайли и работни режими	само за пробиване на бетон (не е предназначен за метал или дърво, както и за ядково сондиране или работа със секач)	
Засмукване	0,35 л/мин	
Работен ход	До 190 мм	
Подходящо свредло	До 265 мм	
Нетно тегло	1,2 кг	

- Поради нашата непрекъсната научно-развойна дейност посочените тук спецификации могат да бъдат променени без предизвестие.
- Спецификациите може да са различни в различните държави.
- Теглото може да бъде различно в зависимост от приставката(ите). Най-леката и най-тежката комбинация в съответствие с процедурата на ЕРТА 01/2014 са показани в таблицата.

### Предназначение

Инструментът е предназначен за ударно пробиване в тухла, бетон и камък, както и за дълбаене. Също така, той е подходящ за пробиване без удар в дърво, метал, керамика и пластмаса.

### Захранване

Инструментът трябва да се включва само към захранване със същото напрежение, като посоченото на фирмената табелка и работи само с монофазно променливо напрежение. Той е с двойна изолация и затова може да се включва и в контакти без заземяване.

### Шум

Обичайното ниво на шума с тегловен коефициент А, определено съгласно EN60745-2-6:

#### Модел HR3011FC

Ниво на звуково налягане ( $L_{pA}$ ): 94 dB(A)  
 Ниво на звукова мощност ( $L_{WA}$ ): 105 dB(A)  
 Коефициент на неопределеност (K): 3 dB(A)

#### Модел HR3012FC

Ниво на звуково налягане ( $L_{pA}$ ): 93 dB(A)  
 Ниво на звукова мощност ( $L_{WA}$ ): 104 dB(A)  
 Коефициент на неопределеност (K): 3 dB(A)

#### Модел HR3001C

Ниво на звуково налягане ( $L_{pA}$ ): 94 dB(A)  
 Ниво на звукова мощност ( $L_{WA}$ ): 105 dB(A)  
 Коефициент на неопределеност (K): 3dB(A)

#### Модел HR3011FC с DX10

Ниво на звуково налягане ( $L_{pA}$ ): 96 dB(A)  
 Ниво на звукова мощност ( $L_{WA}$ ): 107 dB(A)  
 Коефициент на неопределеност (K): 3 dB(A)

#### Модел HR3012FC с DX11

Ниво на звуково налягане ( $L_{pA}$ ): 94 dB(A)  
 Ниво на звукова мощност ( $L_{WA}$ ): 105 dB(A)  
 Коефициент на неопределеност (K): 3 dB(A)

**ЗАБЕЛЕЖКА:** Обявената(ите) стойност(и) на шумовите емисии е(са) измерена(и) в съответствие със стандартни методи за изпитване и може да се използва(т) за сравняване на инструменти.

**ЗАБЕЛЕЖКА:** Обявеното(ите) стойност(и) на шумови емисии може да се използва(т) също и за предварителна оценка на вредното въздействие.

**▲ ПРЕДУПРЕЖДЕНИЕ:** Използвайте предпазни средства за слуха.

**▲ ПРЕДУПРЕЖДЕНИЕ:** Нивото на шума при работа с електрически инструмент може да се различава от обявената(ите) стойност(и) в зависимост от начина на използване на инструмента, по-специално какъв детайл се обработва.

**▲ ПРЕДУПРЕЖДЕНИЕ:** Задължително определете предпазни мерки за защита на оператора въз основа на оценка на риска в реални работни условия (като се вземат предвид всички етапи на работния цикъл, като например момента на изключване на инструмента, работата на празен ход, както и времето на задействане).

## Вибрации

Следващата таблица показва общата стойност на вибрациите (сума от три осови вектора), определена съгласно приложимия стандарт.

### Модел HR3011FC

Работен режим	Ниво на вибрациите	Коефициент на неопределеност (K)	Приложим стандарт
Ударно пробиване в бетон ( $a_{h, HD}$ )	9,5 м/с <sup>2</sup>	1,5 м/с <sup>2</sup>	EN60745-2-6
Ударно пробиване в бетон с DX10 ( $a_{h, HD}$ )	9,5 м/с <sup>2</sup>	1,5 м/с <sup>2</sup>	EN60745-2-6
Функция на дълбаене със странична дръжка ( $a_{h, CHG}$ )	6,0 м/с <sup>2</sup>	1,5 м/с <sup>2</sup>	EN60745-2-6
Пробиване в метал ( $a_{h, D}$ )	5,5 м/с <sup>2</sup>	1,5 м/с <sup>2</sup>	EN62841-2-1

### Модел HR3012FC

Работен режим	Ниво на вибрациите	Коефициент на неопределеност (K)	Приложим стандарт
Ударно пробиване в бетон ( $a_{h, HD}$ )	9,5 м/с <sup>2</sup>	1,5 м/с <sup>2</sup>	EN60745-2-6
Ударно пробиване в бетон с DX11 ( $a_{h, HD}$ )	8,0 м/с <sup>2</sup>	1,5 м/с <sup>2</sup>	EN60745-2-6
Функция на дълбаене със странична дръжка ( $a_{h, CHG}$ )	5,5 м/с <sup>2</sup>	1,5 м/с <sup>2</sup>	EN60745-2-6
Пробиване в метал ( $a_{h, D}$ )	6,0 м/с <sup>2</sup>	1,5 м/с <sup>2</sup>	EN62841-2-1

### Модел HR3001C

Работен режим	Ниво на вибрациите	Коефициент на неопределеност (K)	Приложим стандарт
Ударно пробиване в бетон ( $a_{h, HD}$ )	13,5 м/с <sup>2</sup>	1,5 м/с <sup>2</sup>	EN60745-2-6
Функция на дълбаене със странична дръжка ( $a_{h, CHG}$ )	11,0 м/с <sup>2</sup>	1,5 м/с <sup>2</sup>	EN60745-2-6
Пробиване в метал ( $a_{h, D}$ )	6,0 м/с <sup>2</sup>	1,5 м/с <sup>2</sup>	EN62841-2-1

**ЗАБЕЛЕЖКА:** Обявената(ите) обща(и) стойност(и) на вибрациите е(са) измерена(и) в съответствие със стандартни методи за изпитване и може да се използва(т) за сравняване на инструменти.

**ЗАБЕЛЕЖКА:** Обявената(ите) обща(и) стойност(и) на вибрациите може да се използва(т) също и за предварителна оценка на вредното въздействие.

**▲ ПРЕДУПРЕЖДЕНИЕ:** Нивото на вибрациите при работа с електрически инструмент може да се различава от обявената(ите) стойност(и) в зависимост от начина на използване на инструмента, по-специално какъв детайл се обработва.

**▲ ПРЕДУПРЕЖДЕНИЕ:** Задължително определете предпазни мерки за защита на оператора въз основа на оценка на риска в реални работни условия (като се вземат предвид всички етапи на работния цикъл, като например момента на изключване на инструмента, работата на празен ход, както и времето на задействане).

## ЕО декларация за съответствие

*Само за европейските страни*

ЕО декларацията за съответствие е включена като Анекс А към тази инструкция за употреба.

## ПРЕДУПРЕЖДЕНИЯ ЗА БЕЗОПАСНОСТ

### Общи предупреждения за безопасност при работа с електрически инструменти

**▲ ПРЕДУПРЕЖДЕНИЕ:** Прочетете всички предупреждения, инструкции, илюстрации и спецификации за безопасността, предоставени с този електрически инструмент. При неспазване на изброените по-долу инструкции има опасност от токов удар, пожар и/или тежко нараняване.

## Запазете всички предупреждения и инструкции за справка в бъдеще.

Терминът "електрически инструмент" в предупрежденията се отнася за вашия инструмент (с кабел за включване в мрежата) или работещ на батерии (безжичен) електрически инструмент.

## ПРЕДУПРЕЖДЕНИЯ ЗА БЕЗОПАСНОСТ ПРИ РАБОТА С ПЕРФОРАТОР

1. Носете предпазни средства за слуха. Излагането на въздействието на шум може да доведе до загуба на слуха.
2. Използвайте помощната дръжка(и), ако е доставена с инструмента. Загубата на контрол може да причини нараняване.
3. Когато има опасност режещата принадлежност да допре в скрити кабели или в собствения захранващ кабел, дръжете електрическия инструмент за изолираните и повърхности за хващане. Ако режещата принадлежност докосне проводник под напрежение, токът може да преминае през металните части на електрическия инструмент и да предизвика „електрически удар“ на работещия.
4. Носете каска (предпазна каска), защитни очила и/или маска за лицето. Обикновените или слънчеви очила НЕ са защитни очила. Освен това ви препоръчваме горещо да ползвате маска за прах и ръкавици с дебела подплата.
5. Преди да пристъпите към работа се уверете, че найкрайникът е закрепен здраво.
6. При нормална работа инструментът е предназначен да създава вибрации. Винтовете се разхлабват лесно, а това може да доведе до повреда или злополука. Преди работа проверете дали винтовете са здраво затегнати.
7. Когато е студено или след дълъг престой на инструмента, изчакайте той да загрее, като го оставите да работи на празен ход. Така смазването ще се улесни. Ударното пробиване е трудно без необходимото загряване.
8. Винаги осигурявайте добра опора за краката си. Когато използвате инструмента на високи места, се убедете, че отдолу няма никой.
9. Дръжте инструмента здраво с двете си ръце.
10. Дръжте ръцете си далеч от подвижните части.
11. Не оставяйте инструмента да работи без надзор. Инструментът трябва да работи само когато го държите с ръце.
12. Не насочвайте инструмента към лица, намиращи се в работната зона. Найкрайникът може да изхвърчи и да нарани някого тежко.
13. Не докосвайте найкрайника, близките до него части или работния детайл непосредствено след работа; те могат да са много горещи и да изгорят кожата Ви.
14. Някои материали съдържат химикали, които е възможно да са токсични. Вземете предпазни мерки, за да предотвратите вдишването на прах и контакта с кожата. Следвайте информацията на доставчика за безопасната работа с материала.
15. Не докосвайте щепсела с голи ръце.

## ЗАПАЗЕТЕ НАСТОЯЩИТЕ ИНСТРУКЦИИ.

**▲ПРЕДУПРЕЖДЕНИЕ:** НЕ позволявайте комфорта от познаването на продукта (придобит при дългата му употреба) да замени стриктното спазване на правилата за безопасност за въпросния продукт. **НЕПРАВИЛНАТА УПОТРЕБА** и неспазването на правилата за безопасност, посочени в настоящото ръководство за експлоатация, може да доведе до тежки наранявания.

## ОПИСАНИЕ НА ФУНКЦИИТЕ

**▲ВНИМАНИЕ:** Винаги проверявайте дали инструментът е изключен от бутона и от контакта, преди да регулирате или проверявате функция на инструмента.

## Включване

**▲ВНИМАНИЕ:** Преди да включите инструмента в контакта, винаги проверявайте дали пусковият прекъсвач работи нормално и се връща в положение "OFF" (ИЗКЛ.) при отпускането му.

За да включите инструмента, просто натиснете пусковия прекъсвач. Обратите на инструментата се увеличават с увеличаване на натиска върху пусковия прекъсвач. За спиране отпуснете пусковия прекъсвач.

► **Фиг.1:** 1. Пусков прекъсвач

## Включване на предната лампичка

Само за **HR3011FC HR3012FC**

**▲ВНИМАНИЕ:** Не гледайте директно в светлинния източник.

За да включите лампата, натиснете пусковия прекъсвач. Освободете пусковия прекъсвач, за да изключите.

► **Фиг.2:** 1. Лампа

**ЗАБЕЛЕЖКА:** Използвайте суха кърпа, за да изчистите полепналата по лупата на лампата мръсотия. Внимавайте да не надраскате лупата на лампата, тъй като това ще влоши осветяването.

## Действие на превключвателя за промяна на посоката

**▲ВНИМАНИЕ:** Винаги проверявайте посоката на въртене преди работа.

**▲ВНИМАНИЕ:** Използвайте превключвателя за промяна на посоката на въртене само когато инструментът е напълно спрял. Промяна на посоката на въртене преди спиране на инструмента може да го повреди.

**БЕЛЕЖКА:** Когато промените посоката на въртене, проверете дали превключателят на посоката на въртене е изцяло поставен в страна А или страна В. В противен случай, когато пусковият прекъсвач се натисне, моторът може да не се завърти или инструментът може да не работи правилно.

Инструментът е снабден с превключател на посоката на въртене. Натиснете превключателя на посоката на въртене към положение на страна А за въртене по посока на часовниковата стрелка или към положение на страна В за въртене по посока обратна на часовниковата стрелка.

► **Фиг.3:** 1. Превключател на посоката на въртене



## Смяна на бързодействащ патронник за SDS-plus

### Само за HR3012FC

Бързодействащият патронник за SDS-plus може лесно да се смени с бързодействащ патронник за пробиване.




## Изваждане на бързодействащ патронник за SDS-plus

**ВНИМАНИЕ:** Преди изваждане на бързодействащия патронник за SDS-plus винаги махайте накрайника.

Хванете капака за смяна на бързодействащия патронник за SDS-plus и го въртете по посоката на стрелката, докато линията върху капака за смяна се премести от символа  към символа . Дръпнете силно по посоката на стрелката.

► **Фиг.4:** 1. Бързодействащ патронник за SDS-plus  
2. Капак за смяна 3. Линия върху капака за смяна

## Монтиране на бързодействащ патронник за пробиване

Проверете дали линията на бързодействащия патронник за пробиване сочи символа . Хванете капака за смяна на бързодействащия патронник за пробиване и нагласете линията на символа . Поставете бързодействащия патронник за пробиване върху шпиндела на инструмента. Хванете капака за смяна на бързодействащия патронник за пробиване и завъртете линията на капака за смяна към символа , докато се чуе отчетливо щракване.


► **Фиг.5:** 1. Бързодействащ патронник за пробиване 2. Шпиндел 3. Линия върху капака за смяна 4. Капак за смяна

## Избиране на режим на работа

**БЕЛЕЖКА:** Не завъртайте превключателя за смяна на режима, докато инструментът работи. Инструментът ще се повреди.

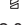
**БЕЛЕЖКА:** За предотвратяване на бързото износване на механизма за режима на работа, превключателят за режима трябва винаги да е поставен точно в една от трите възможни позиции.

## Въртене с удар

За пробиване в бетон, тухли и др., завъртете превключателя за смяна на режима на работа до символа . Използвайте накрайник с връх от волфрамов карбид (допълнителен аксесоар).


► **Фиг.6:** 1. Въртене с удар 2. Превключател за смяна на режима на работа

## Само въртене

За пробиване в дърво, метал или пластмаса, завъртете превключателя за смяна на режима на работа до символа . Използвайте пробивен накрайник или свредло за дърво.

► **Фиг.7:** 1. Само въртене

## Само удар

За раздробяване, къртене или рушене, завъртете превключателя за смяна на режима на работа до символа . Използвайте шило, секач, широко длето и др.

► **Фиг.8:** 1. Само удар

## Ограничител на въртящия момент

**БЕЛЕЖКА:** Ако ограничителят на въртящ момент се задейства, незабавно изключете инструмента. Така ще предотвратите преждевременно износване на инструмента.

**БЕЛЕЖКА:** Свредлата като боркорона, които проявяват склонност лесно да се заклещават в отвора, не са подходящи за този инструмент. Причината за това е, че те ще предизвикват твърде често задействане на ограничителя на въртящ момент.

Ограничителят на въртящ момент се задейства, когато бъде достигнато определено ниво на въртящия момент. Електромоторът прекъсва връзката си с изходния вал. Когато това се случи свредлото спира да се върти.

## Електронна функция

За лесно управление инструментът е оборудван с електронни функции.

- Управление за постоянни обороти  
Функцията за управление на оборотите гарантира постоянна скорост на въртене, независимо от натоварването.

## Въздухопровод

### Само за HR3011FC HR3012FC

**ВНИМАНИЕ:** Не поставяйте пръста си във въздухопровода и не поставяйте каквито и да е предмети в него. В противен случай може да се нараните или инструментът да се повреди.

Въздухопроводът е предназначен за свързване към прахоуловителя.

Когато използвате прахоуловителя, прочетете раздела относно прахоуловителя.

► **Фиг.9:** 1. Въздухопровод

## СГЛОБЯВАНЕ

**⚠ ВНИМАНИЕ:** Преди да извършвате никакви работи по инструмента, винаги се уверявайте, че той е изключен от бутона и от контакта.

### Странична ръкохватка (допълнителна ръкохватка)

**⚠ ВНИМАНИЕ:** Винаги използвайте страничната ръкохватка, за да гарантирате безопасна работа.

**⚠ ВНИМАНИЕ:** След монтиране или регулиране на страничната ръкохватка се уверете, че тя е здраво закрепена.

За да монтирате страничната ръкохватка, следвайте стъпките по-долу.

1. Развийте винта с крилчата глава на страничната ръкохватка.  
▶ **Фиг.10:** 1. Винт с крилчата глава
2. Прикрепете страничната ръкохватка, като натискате винта с крилчата глава, така, че каналите на дръжката да попаднат между издатините върху цилиндричната част на корпуса на инструмента.  
▶ **Фиг.11:** 1. Винт с крилчата глава
3. Затегнете винта с крилчата глава, за да закрепите дръжката. Дръжката може да бъде закрепена под желания ъгъл.

## Грес

Предварително нанесете малко количество грес върху края на опашката на свредлото (около 0,5 – 1 г).

Такова смазване на патронника осигурява плавна работа и по-дълъг експлоатационен живот.

### Монтаж или демонтаж на свредлото

Почистете края на опашката на свредлото и нанесете грес, преди да монтирате свредлото.

▶ **Фиг.12:** 1. Край на опашката 2. Грес

Вкарайте свредлото в инструмента. Завъртете свредлото и го натиснете, докато се зацепи. След монтирането на свредлото винаги проверявайте дали свредлото се държи здраво на мястото си, като се опитате да го издърпате.  
▶ **Фиг.13:** 1. Свредло

За да демонтирате свредлото, издърпайте докрай надолу капачката на патронника и извадете свредлото.

▶ **Фиг.14:** 1. Свредло 2. Капак на патронника

## Ъгъл на длетото (при раздробяване, къртене или рушене)

Длетото може да бъде фиксирано под желания ъгъл. За промяна на ъгъла на длетото, завъртете превключвателя за смяна на режима на работа до символа O. Завъртете длетото до желания ъгъл.

▶ **Фиг.15:** 1. Превключвател за смяна на режима на работа

Завъртете превключвателя за смяна на режима на работа до символа T. След това се уверете, че длетото е сигурно закрепено, като леко го завъртите.

## Ограничител за дълбочина

Ограничителят за дълбочина е удобен за пробиване на отвори с еднаква дълбочина.

Натиснете и задръжте бутон за блокиране, а след това поставете ограничителя за дълбочина в шестоъгълния отвор. Уверете се, че назъбената страна на ограничителя за дълбочина е обърната към маркера.

▶ **Фиг.16:** 1. Ограничител за дълбочина 2. Бутон за блокиране 3. Маркер 4. Назъбена страна

Регулирайте ограничителя за дълбочина, като го движите назад и напред, докато натискате бутон за блокиране. След като регулирате ограничителя за дълбочина, освободете бутон за блокиране, за да блокирате ограничителя.

**ЗАБЕЛЕЖКА:** Уверете се, че ограничителят не докосва основното тяло на инструмента при закрепването му.

## Капачка за прах

### Допълнителна принадлежност

Използвайте капачката за прах, за да предотвратите попадането на прах върху инструмента и върху вас, когато пробивате вертикално нагоре. Монтирайте капачката за прах към свредлото, както е показано на фигурата. По-долу са посочени размерите на свредлата, към които може да се монтира капачка за прах.

Модел	Диаметър на накрайника
Капачка за прах 5	6 мм – 14,5 мм
Капачка за прах 9	12 мм – 16 мм

▶ **Фиг.17:** 1. Капачка за прах

## Капачка за прах (комплект)

### Допълнителна принадлежност

### За модели HR3011FC, HR3001C

**БЕЛЕЖКА:** Когато използвате капачка за прах (комплект) в HR3011FC, HR3001C, е необходим и дистанционен елемент.

Преди поставяне на капачката за прах (комплект) извадете накрайника от инструмента, ако е бил монтиран. Монтирайте дистанционния елемент към капачката за прах (комплект). Символът  $\Delta$  върху капачката за прах е подравнен спрямо жлеба на дистанционния елемент.

▶ **Фиг.18:** 1. Дистанционен елемент 2.  $\Delta$  символ 3. Жлеб

Монтирайте капачката за прах (комплект) с дистанционния елемент върху инструмента така, че символът  $\Delta$  върху капачката за прах да се подравни спрямо жлеба в инструмента.

► **Фиг.19:** 1.  $\Delta$  символ 2. Жлеб

За да отстраните капачката за прах (комплект), отстранете накрайника, като дръпнете капака на патронника по посока на стрелката.

► **Фиг.20:** 1. Накрайник 2. Капак на патронника

Хванете основата на капачката за прах и я издърпайте навън.

► **Фиг.21**

## За модел HR3012FC

Преди поставяне на капачката за прах (комплект) извадете накрайника от инструмента, ако е бил монтиран.

Монтирайте капачката за прах (комплект) върху инструмента така, че символът  $\Delta$  върху капачката за прах да се изравни с канала в инструмента.

► **Фиг.22:** 1.  $\Delta$  символ 2. Канал

За да отстраните капачката за прах (комплект), отстранете накрайника, като дръпнете капака на патронника по посока на стрелката.

► **Фиг.23:** 1. Накрайник 2. Капак на патронника

Хванете основата на капачката за прах и я издърпайте навън.

► **Фиг.24**

**ЗАБЕЛЕЖКА:** Ако свързвате прахосмукачка към капачката за прах (комплект), махнете капачката за прах, преди да я свържете.

► **Фиг.25:** 1. Капачка за прах

**ЗАБЕЛЕЖКА:** Ако капачката излезе от капачката за прах, закрепете я с напечатаната страна нагоре така, че каналът на капачката да попадне във вътрешната периферия на приставката.

► **Фиг.26**

## Приспособление за окачване на инструмента

### Допълнителна принадлежност

**▲ ПРЕДУПРЕЖДЕНИЕ:** Не използвайте повредено приспособление за окачване на инструмента и винт.

**▲ ПРЕДУПРЕЖДЕНИЕ:** Използвайте само винта, предоставен с приспособлението за окачване на инструмента.

**▲ ПРЕДУПРЕЖДЕНИЕ:** Преди употреба на приспособлението за окачване на инструмента проверявайте за повреди, пукнатини или деформации и дали винтът е затегнат.

**▲ ВНИМАНИЕ:** Монтирайте или преместете приспособлението за окачване на инструмента върху стабилна маса или повърхност.

Приспособлението за окачване на инструмента е предназначено за закрепване на ремъка (колана). За да монтирате приспособлението за окачване към инструмента, следвайте стъпките по-долу.

1. Изключете щекера от захранващия източник.

2. Поставете изпъкналите части на приспособлението за окачване на инструмента в отворите на инструмента.

3. Затегнете здраво винтовете.

► **Фиг.27:** 1. Приспособление за окачване на инструмента 2. Отвор 3. Издадена част 4. Винт

## ПРАХОУЛОВИТЕЛ

### Само за HR3011FC HR3012FC

#### Допълнителна принадлежност

Прахоуловителят е предназначен за ефективно събиране на праха, когато се пробива бетон.

► **Фиг.28:** 1. Прахоуловител

**▲ ВНИМАНИЕ:** Преди да извършвате някакви работи по инструмента проверете дали той е изключен и дали щекерът е изваден от контакта. В противен случай съществува опасност от телесно нараняване при непреднамерено стартиране.

**▲ ВНИМАНИЕ:** Винаги монтирайте филтъра на прахоуловителя. В противен случай може да вдихате прах.

**▲ ВНИМАНИЕ:** Проверявайте дали филтърът не е повреден. В противен случай може да вдихате прах.

**БЕЛЕЖКА:** Не използвайте прахоуловителя, когато пробивате с корона или когато работите със сечак. Прахоуловителят е предназначен само за пробиване.

**БЕЛЕЖКА:** Не използвайте прахоуловителя при работа с метал или дърво. Прахоуловителят е предназначен само за пробиване в бетон.

**БЕЛЕЖКА:** Не използвайте прахоуловителя, когато пробивате в мокър бетон и при влажна околна среда. Това може да причини неизправност.

**ЗАБЕЛЕЖКА:** Прахоуловителят събира генерирания прах в значителна степен, но не може да събере целия прах.

## Поставяне и отстраняване на прахоуловителя

**БЕЛЕЖКА:** Преди да монтирате прахоуловителя, почистете съединителните части на инструмента и прахоуловителя.

Чужди частици по съединителните части може да доведат до затруднение при монтиране на прахоуловителя. По специално, чужди частици по електрическите контактни повърхности може да доведат до повреда.

Ако по въздухопровода остане прах, той навлиза в инструмента и води до препречване на въздушния поток или до счупване на инструмента.



Закачете прахоуловителя на инструмента, след което я вкарайте докрай, докато се застопори на мястото си с леко двукратно щракване.

След това се уверете, че прахоуловителят е надеждно монтиран.

► **Фиг.29:** 1. Въздухопровод

При демониране на прахоуловителя натиснете бутона за деблокиране.

► **Фиг.30:** 1. Бутон за деблокиране

## Регулиране на положението на дюзата на системата за отделяне на прах

**▲ВНИМАНИЕ:** Не насочвайте дюзата към себе си или други хора, когато я освобождавате, натискайки бутона за регулиране на водача.

Натиснете водача, като същевременно натиснете бутона за регулиране на водача, и след това освободете бутона за регулиране на водача в желаното положение.

► **Фиг.31:** 1. Водач 2. Бутон за регулиране на водача

## Регулиране на дълбочината на пробиване на система за отделяне на прах

Плъзнете бутона за регулиране на дълбочината в желаното положение, като го натиснете. Разстоянието (А) е дълбочината на пробиване.

► **Фиг.32:** 1. Бутон за регулиране на дълбочината

## Изтупване на праха от филтъра

**▲ВНИМАНИЕ:** Докато разкачвате контейнера за прах от системата за отделяне на прах, не въртете кръглия му бутон. В противен случай може да вдишате прах.

**▲ВНИМАНИЕ:** Винаги изключвайте инструмента, когато завъртате кръглия бутон върху контейнера за прах. Завъртането на кръглия бутон, докато инструментът работи, може да доведе до загуба на контрол върху инструмента.

Чрез изтупване на праха от филтъра в контейнера за прах можете да запазите ефективността на вакуума и да намалите честотата на изхвърляне на праха.

Завъртете кръглия бутон върху контейнера за прах три пъти след събиране на всеки 50 000 мм<sup>3</sup> прах или когато усетите, че ефективността на вакуума намалява.

**ЗАБЕЛЕЖКА:** 50 000 мм<sup>3</sup> прах са еквивалентни на пробиване на 10 отвора ø 10 мм и дълбочина 14 мм (2 отвора ø 65" и дълбочина 3/8").

► **Фиг.33:** 1. Контейнер за прах 2. Кръгъл бутон

## Изхвърляне на праха

**▲ВНИМАНИЕ:** При изхвърляне на прах носете маска за прах.

**▲ВНИМАНИЕ:** Изпразвайте контейнера за прах редовно, преди да се напълни. В противен случай ефективността на прахоуловителя ще се намали и ще доведе до вдишване на прах.

**▲ВНИМАНИЕ:** Сменете филтъра с нов след около 200 напълвания с прах. Запушен филтър намалява ефективността прахоуловителя и води до вдишване на прах.

**БЕЛЕЖКА:** Когато почиствате филтъра, докоснете внимателно корпуса му с ръка, за да отстраните праха. Не докосвайте филтъра директно, нито с четка или други предмети и не го продухвайте със сгъстен въздух. Това може да повреди филтъра.

1. Отстранете контейнера за прах, като натискате лоста на контейнера.

► **Фиг.34:** 1. Лост

2. Отворете капака на контейнера за прах.

► **Фиг.35:** 1. Капак

3. Изхвърлете праха и след това почистете филтъра.

► **Фиг.36**

## Смяна на филтъра на контейнера за прах

1. Отстранете контейнера за прах, като натискате лоста на контейнера. (Вижте раздела за изхвърляне на праха.)

2. Отворете капака на филтъра на контейнера за прах.

► **Фиг.37:** 1. Капак на филтъра

3. Отстранете филтъра от корпуса на филтъра.

► **Фиг.38:** 1. Филтър 2. Корпус на филтър

4. Прикрепете нов филтър към корпуса на филтъра, след което поставете капака на филтъра.

5. Затворете капака на контейнера за прах и прикрепете контейнера към системата за отделяне на прах.

## Смяна на уплътнителната капачка

Ако уплътнителната капачка се износи, ефективността на прахоуловителя намалява. Сменете я, ако е износена.

Отстранете уплътнителната капачка и поставете нова, като издатыкът сочи нагоре.

► **Фиг.39:** 1. Издатык 2. Уплътнителна капачка

## Експлоатация

**⚠ВНИМАНИЕ:** Когато работите с инструмента винаги използвайте страничната ръкохватка (спомагателна ръкохватка) и дръжте здраво едновременно страничната ръкохватка и дръжката на ключа.

**⚠ВНИМАНИЕ:** Преди работа се уверете, че обработваният детайл е здраво закрепен.

**⚠ВНИМАНИЕ:** Не дърпайте инструмента със сила дори ако свредлото се заклещи. Загубата на контрол може да причини нараняване.


**⚠ВНИМАНИЕ:** Само за HR3011FC HR3012FC

Преди да използвате прахоуловителя с инструмента, прочетете раздела относно прахоуловителя.

► Фиг.40

## Работа с ударно пробиване


**⚠ВНИМАНИЕ:** В момента на пробиване на отвор, когато отворът се запълни със стружки и частици, или когато се попадне на арматура в бетона, върху инструмента/свредлото възниква рязко голяма усукваща сила. **Когато работите с инструмента винаги използвайте страничната ръкохватка (спомагателна ръкохватка) и дръжте здраво едновременно страничната ръкохватка и дръжката на ключа.** В противен случай може да загубите контрол върху инструмента и да се нараните тежко.

Поставете превключвателя за смяна на режима на работа в позицията, обозначена със символа . Поставете свредлото в желаната позиция за пробиване, след което натиснете пусковия прекъсвач. Не натискайте прекалено силно инструмента. Лекият натиск осигурява най-добри резултати. Задръжте инструмента на място и не позволявайте да се отклонява встрани от отвора.

Не прилагайте допълнителен натиск, когато отворът се задръсти с отломки или частици. Вместо това оставете инструментът да работи на празен ход, а след това извадете свредлото частично от отвора. След като повторите това няколко пъти, отворът ще се изчисти и отново може да се започне нормално пробиване.

**ЗАБЕЛЕЖКА:** Докато инструментът работи на празен ход, е възможно да се наблюдава ексцентрично отклонение при въртенето на свредлото. Инструментът се центрира автоматично по време на работа. Това не влияе на прецизността на пробиване.

## Раздробяване/къртене/рушене

Поставете превключвателя за смяна на режима на работа в позицията, обозначена със символа . Дръжте инструмента здраво с двете си ръце. Включете инструмента и приложете умерен натиск върху него, така че да не подскача неконтролируемо. Прилагането на прекомерен натиск върху инструмента няма да увеличи ефективността му.

► Фиг.41

## Пробиване на дърво или метал


**⚠ВНИМАНИЕ:** Дръжте инструмента здраво и работете с внимание, когато свредлото започне да прониква през обработвания детайл. В момента на разпробиване на отвор възниква огромна сила, упражнявана върху инструмента/свредлото.

**⚠ВНИМАНИЕ:** Блокирано свредло може да се извади лесно, като превключвателят на посоката на въртене се настрои за обратно въртене, за да се извади. Въпреки това инструментът може рязко да завърти обратно, ако не го дръжите здраво.

**⚠ВНИМАНИЕ:** Малките обработвани детайли трябва винаги да се закрепват в менгеме или подобно задържащо устройство.

**БЕЛЕЖКА:** Никога не използвайте режим „ударно пробиване“, когато към инструмента е монтиран патронникът за пробиване. Патронникът за пробиване може да се повреди. Наред с това, патронникът за пробиване ще изпадне, когато смените посоката на въртене на инструмента.

**БЕЛЕЖКА:** Прекомерно силен натиск върху инструмента няма да ускори пробиването. Всъщност този излишен натиск само може да доведе до повреда на върха на свредлото, да намали ефективността на инструмента и да съкрати срока за експлоатация на инструмента.

Поставете превключвателя за смяна на режима на работа в позицията, обозначена със символа .

## За модели HR3011FC, HR3001C

### Допълнителна принадлежност

Поставете адаптера за патронник към безключов патронник за пробиване, към който може да се монтира винт 1/2"–20, и ги монтирайте към инструмента. Когато го монтирате, вижте раздела „Монтаж или демонтаж на свредлото“.

► Фиг.42: 1. Безключов патронник за пробиване  
2. Адаптер на патронник

## За модел HR3012FC

Използвайте бързодействащия патронник за пробиване в качеството на стандартно оборудване. Когато го монтирате, вижте „Замяна на бързодействащ патронник за SDS-plus“.


Задръжте пръстена и завъртете патронника по посока, обратна на часовниковата стрелка, за да се отворят челюстите на патронника. Поставете найкрайника възможно най-навътре в патронника. Задръжте здраво пръстена и завъртете патронника по посока на часовниковата стрелка, за да го затегнете.

► Фиг.43: 1. Патронник 2. Пръстен

За да извадите найкрайника, задръжте пръстена и завъртете втулката по посока, обратна на часовниковата стрелка.

## Пробиване с диамантен накрайник

**БЕЛЕЖКА:** При пробиване с диамантен накрайник с използване на „въртене с ударно действие“, диамантеният накрайник за ядково сондиране може да се повреди.

За пробиване с диамантен накрайник за ядково сондиране винаги поставяйте копчето за смяна на режима на работа в положението със символ , за да използвате „пробиване без ударно действие“.

## Ръчна помпа за продухване

### Допълнителна принадлежност

След пробиване на отвора използвайте ръчна помпа за продухване, за да почистите праха от отвора.

► Фиг.44

## Използване на капачка за прах (комплект)

### Допълнителна принадлежност

Поставете капачката за прах (комплект) към тавана, докато работите с инструмента.

► Фиг.45

**БЕЛЕЖКА:** Не използвайте капачката за прах (комплект), когато пробивате в метал или подобни материали. Те могат да повредят капачката за прах (комплект) поради нагряването, предизвикано от частиците от метал или подобни материали.

**БЕЛЕЖКА:** Не монтирайте и не махайте капачката за прах (комплект) при поставено в инструмента свердело. Това може да повреди капачката за прах (комплект) и да доведе до пропускане на прах.

## Закрепване на ремъка (колана) към приспособлението за окачване на инструмента

**⚠**Предупреждения за безопасност, специфични за работа на височина

Прочетете всички предупреждения за безопасност и инструкции. Неспазването на предупрежденията и инструкциите може да доведе до тежко нараняване.

1. Винаги инструментът трябва да е вързан, когато се работи „на височина“. Максималната дължина на ремъка е 2 м. Максималната допустима височина на падане за ремък (колан) не трябва да превишава 2 м.
2. Използвайте само с ремъци, подходящи за този тип инструмент и изчислени за поне 7,5 кг.
3. Не прикрепвайте ремъка на инструмента към нищо по тялото си или към движещи се компоненти. Прикрепете ремъка на инструмента към здрава конструкция, която може да издържи силата на падащ инструмент.

4. Преди употреба се уверете, че ремъкът е закрепен правилно във всеки край.
5. Преди всяка употреба проверявайте инструмента и ремъка (включително тъканта и шевове) за повреди и правилно функциониране. Не използвайте при повреда или при неправилно функциониране.
6. Не увивайте ремъците около остри или грапави ръбове и не допускайте да влизат в контакт с тях.
7. Закрепете другия край на ремъка извън работната зона така, че при евентуално падане инструментът да се задържи здраво.
8. Прикрепете ремъка така, че ако инструментът падне, да се отдели от оператора. Изпадналият инструмент ще се люлее на ремъка, което може да причини наранявания или загуба на равновесие.
9. Не използвайте в близост до движещи се части или работещи машини. В противен случай може да възникне опасност от смачкване или заплитане.
10. Не носете инструмента, като го държите за приставката или ремъка.
11. Прехвърляйте инструмента от едната си ръка в другата само когато сте правилно балансирани.
12. Не прикрепвайте ремъци към инструмента по начин, който възпрепятства надеждната работа на превключватели или блокировки на спуська (ако са доставени).
13. Избягвайте заплитане в ремъка.
14. Дръжте ремъка далеч от зоната за пробиване на инструмента.
15. Използвайте карабинери с многостъпково отваряне и винтови карабинери. Не използвайте самозатварящи се с пружинна скоба карабинери.
16. В случай че инструментът падне, той трябва да бъде обозначен и изведен от експлоатация, и трябва да бъде проверен от фабрика на Makita или от упълномощен сервизен център.

► Фиг.46: 1. Приспособление за окачване на инструмента 2. Ремък (колан)

## ПОДДРЪЖКА

**⚠ВНИМАНИЕ:** Преди да проверявате или извършвате поддръжка на инструмента се уверете, че той е изключен от бутона и от контакта.

**БЕЛЕЖКА:** Не използвайте бензин, нафта, разредител, спирт и др. подобни. Това може да причини обезцветяване, деформация или пукнатини.

За да се поддържа БЕЗОПАСНОСТТА и НАДЕЖНОСТТА на продукта, ремонтите, поддръжката или регулирането трябва да се извършват от упълномощен сервиз или фабрични сервизни центрове на Makita, като винаги трябва да използвате резервни части от Makita.

# ДОПЪЛНИТЕЛНИ АКСЕСОАРИ

**⚠ ВНИМАНИЕ:** Препоръчва се използването на тези аксесоари или накрайници с вашия инструмент Makita, описан в настоящото ръководство. Използването на други аксесоари или накрайници може да доведе до опасност от телесни повреди. Използвайте съответния аксесоар или накрайник само по предназначение.

Ако имате нужда от помощ за повече подробности относно тези аксесоари, се обърнете към местния сервизен център на Makita.

- Свредла с карбидна вложка на върха (накрайници с карбидна вложка на върха SDS-Plus)
- Накрайник за ядково сондиране
- Шило
- Диамантен накрайник за ядково сондиране
- Секач
- Широко длето
- Длето за канали
- Адаптер на патронник
- Безключов патронник за пробиване
- Грес за накрайника
- Ограничител за дълбочина
- Ръчна помпа за продухване
- Капачка за прах
- Капачка за прах (комплект)
- Дистанционен елемент (за HR3011FC, HR3001C)
- Прахоуловител (за HR3011FC, HR3012FC)
- Предпазни очила
- Приспособление за окачване на инструмента

**ЗАБЕЛЕЖКА:** Някои артикули от списъка може да са включени в комплекта на инструмента, като стандартни аксесоари. Те може да са различни в различните държави.

## SPECIFIKACIJE

Model:		HR3011FC	HR3012FC	HR3001C
Kapaciteti	Beton	30 mm		
	Kruna	80 mm		
	Dijamantna kruna (suhi tip)	80 mm		
	Čelik	13 mm		
	Drvo	32 mm		
Brzina bez opterećenja		0 - 840 min <sup>-1</sup>		
Udarci po minuti		0 - 4.500 min <sup>-1</sup>		
Ukupna dužina		369 mm	386 mm	369 mm
Neto težina		4,4 - 4,8 kg	4,5 - 4,8 kg	4,1 - 4,6 kg
Sigurnosna klasa		□/II		

### Dodatni pribor

Model:	DX10 (za HR3011FC)	DX11 (za HR3012FC)
Odgovarajući izradak i način rada	isključivo za bušenje betona (nije namijenjeno za metal ili drvo ni za jezgreno bušenje ili klesanje)	
Usisne performanse	0,35 l/min	
Radni hod	Do 190 mm	
Odgovarajući nastavak za bušenje	Do 265 mm	
Neto težina	1,2 kg	

- Zahvaljujući našem stalnom programu razvoja i istraživanja, navedene specifikacije podložne su promjenama bez obavijesti.
- Specifikacije mogu biti različite ovisno o zemlji.
- Težina se može razlikovati ovisno o dodacima. Najlakša i najteža kombinacija, sukladno s postupkom EPTA 01/2014, prikazane su u nastavku.

### Namjena

Alat je namijenjen udarnom bušenju i bušenju cigle, betona i kamena te klesanju. Pogodan je i za bezudarno bušenje drva, metala, keramike i plastike.

### Električno napajanje

Alat se smije priključiti samo na električno napajanje s naponom istim kao na nazivnoj pločici i smije raditi samo s jednofaznim izmjeničnim napajanjem. Dvostruko su izolirani pa se mogu rabiti i iz utičnice bez uzemnog užeta.

### Buka

Tipična jačina buke označena s A, određena sukladno EN60745-2-6:

#### Model HR3011FC

Razina tlaka zvuka ( $L_{pA}$ ): 94 dB (A)  
Razina snage zvuka ( $L_{WA}$ ): 105 dB (A)  
Neodređenost (K): 3 dB (A)

#### Model HR3012FC

Razina tlaka zvuka ( $L_{pA}$ ): 93 dB (A)  
Razina snage zvuka ( $L_{WA}$ ): 104 dB (A)  
Neodređenost (K): 3 dB (A)

#### Model HR3001C

Razina tlaka zvuka ( $L_{pA}$ ): 94 dB (A)  
Razina snage zvuka ( $L_{WA}$ ): 105 dB (A)  
Neodređenost (K): 3 dB (A)

#### Model HR3011FC s DX10

Razina tlaka zvuka ( $L_{pA}$ ): 96 dB (A)  
Razina snage zvuka ( $L_{WA}$ ): 107 dB (A)  
Neodređenost (K): 3 dB (A)

#### Model HR3012FC s DX11

Razina tlaka zvuka ( $L_{pA}$ ): 94 dB (A)  
Razina snage zvuka ( $L_{WA}$ ): 105 dB (A)  
Neodređenost (K): 3 dB (A)

**NAPOMENA:** Deklarirana vrijednost emisije buke izmjerena je prema standardnoj metodi testiranja i može se rabiti za usporedbu jednog alata s drugim.

**NAPOMENA:** Deklarirana vrijednost emisije buke također se može rabiti za preliminarnu procjenu izloženosti.

**⚠ UPOZORENJE:** Nosite zaštitu za uši.

**⚠ UPOZORENJE:** Emisija buke tijekom stvarnog korištenja električnog ručnog alata se može razlikovati od deklariranih vrijednosti emisije, ovisno o načinu na koji se alat rabi, posebice ovisno o tome kakav se izradak izrađuje.

**⚠ UPOZORENJE:** Nemojte zaboraviti da identificirate sigurnosne mjere zaštite rukovatelja koje se temelje na procjeni izloženosti u stvarnim uvjetima korištenja (uzimajući u obzir sve dijelove radnog ciklusa, poput vremena kada je alat isključen i kada on radi u praznom hodu, a također i vrijeme okidanja).

## Vibracija

U sljedećoj tablici prikazana je ukupna vrijednost vibracija (troosni vektorski zbroj) izračunata u skladu s važećom normom:

### Model HR3011FC

Način rada	Emisija vibracija	Nesigurnost (K)	Važeća norma
Udarno bušenje betona ( $a_{h, HD}$ )	9,5 m/s <sup>2</sup>	1,5 m/s <sup>2</sup>	EN60745-2-6
Udarno bušenje betona s DX10 ( $a_{h, HD}$ )	9,5 m/s <sup>2</sup>	1,5 m/s <sup>2</sup>	EN60745-2-6
Funkcija klesanja s bočnom ručkom ( $a_{h, Cheq}$ )	6,0 m/s <sup>2</sup>	1,5 m/s <sup>2</sup>	EN60745-2-6
Bušenje metala ( $a_{h, D}$ )	5,5 m/s <sup>2</sup>	1,5 m/s <sup>2</sup>	EN62841-2-1

### Model HR3012FC

Način rada	Emisija vibracija	Nesigurnost (K)	Važeća norma
Udarno bušenje betona ( $a_{h, HD}$ )	9,5 m/s <sup>2</sup>	1,5 m/s <sup>2</sup>	EN60745-2-6
Udarno bušenje betona s DX11 ( $a_{h, HD}$ )	8,0 m/s <sup>2</sup>	1,5 m/s <sup>2</sup>	EN60745-2-6
Funkcija klesanja s bočnom ručkom ( $a_{h, Cheq}$ )	5,5 m/s <sup>2</sup>	1,5 m/s <sup>2</sup>	EN60745-2-6
Bušenje metala ( $a_{h, D}$ )	6,0 m/s <sup>2</sup>	1,5 m/s <sup>2</sup>	EN62841-2-1

### Model HR3001C

Način rada	Emisija vibracija	Nesigurnost (K)	Važeća norma
Udarno bušenje betona ( $a_{h, HD}$ )	13,5 m/s <sup>2</sup>	1,5 m/s <sup>2</sup>	EN60745-2-6
Funkcija klesanja s bočnom ručkom ( $a_{h, Cheq}$ )	11,0 m/s <sup>2</sup>	1,5 m/s <sup>2</sup>	EN60745-2-6
Bušenje metala ( $a_{h, D}$ )	6,0 m/s <sup>2</sup>	1,5 m/s <sup>2</sup>	EN62841-2-1

**NAPOMENA:** Deklarirana vrijednost ukupnih vibracija izmjerena je prema standardnoj metodi testiranja i može se rabiti za usporedbu jednog alata s drugim.

**NAPOMENA:** Deklarirana vrijednost ukupnih vibracija također se može rabiti za preliminarnu procjenu izloženosti.

**⚠ UPOZORENJE:** Emisija vibracija tijekom stvarnog korištenja električnog ručnog alata se može razlikovati od deklariranih vrijednosti emisije, ovisno o načinu na koji se alat rabi, posebice ovisno o tome kakav se izradak izrađuje.

**⚠ UPOZORENJE:** Nemojte zaboraviti da identificirate sigurnosne mjere zaštite rukovatelja koje se temelje na procjeni izloženosti u stvarnim uvjetima korištenja (uzimajući u obzir sve dijelove radnog ciklusa, poput vremena kada je alat isključen i kada on radi u praznom hodu, a također i vrijeme okidanja).

## Izjava o sukladnosti EZ

*Samo za države članice Europske unije*

Izjava o sukladnosti EZ u privitku je Priloga A ovih uputa za upotrebu.

## SIGURNOSNA UPOZORENJA

### Opća sigurnosna upozorenja za električne ručne alate

**⚠ UPOZORENJE:** Pročitajte sva sigurnosna upozorenja, upute, ilustracije i specifikacije priložene uz ovaj električni ručni alat. Nepridržavanje svih uputa navedenih u nastavku može rezultirati strujnim udarom, požarom i/ili ozbiljnim ozljedama.

### Sačuvajte sva upozorenja i upute radi kasnijeg korištenja.

Pojam „električni alat“ u upozorenjima odnosi se na električni (kabelski) alat uključen u struju ili na bežične električne alate (na baterije).

### SIGURNOSNA UPOZORENJA ZA UDARNU BUŠILICU

- Nosite zaštitu za uši.** Izloženost buci može dovesti do gubitka sluha.
- Koristite pomoćnu ručku(e) ako je isporučena s alatom.** Gubitak kontrole može uzrokovati ozljede.
- Držite električni ručni alat za izolirane rukohvate kada izvodite radnju pri kojoj rezni dodatak može doći u dodir sa skrivenim vodičima ili vlastitim kabelom.** Rezni dodatak koji dođe u doticaj s vodičem pod naponom može dovesti pod napon izložene metalne dijelove električnog alata i rukovatelj može pretrpjeti strujni udar.

4. Nosite tvrdo pokrivalo za glavu (zaštitna kaciga), zaštitne naočale i/ili štitićnik za lice. Obične ili sunčane naočale NISU zaštitne naočale. Također se preporučuje da nosite masku za prašinu i debelo podstavljene rukavice.
5. Prije rada obavezno učvrstite nastavak na njegovo mjesto.
6. Pri normalnom radu alat proizvodi vibracije. Vijci se mogu lako otpustiti, što može uzrokovati kvar ili nezgodu. Pažljivo provjerite zategnutost vijaka prije rada.
7. U hladnim vremenskim uvjetima ili kada se alat ne upotrebljava duže vrijeme, pustite da se neko vrijeme zagrijava u radu bez opterećenja. Tako će popustiti i mazivo. Bez pravilnog zagrijavanja udarno bušenje teško se izvodi.
8. Uvijek stojte na čvrstom uporištu. Pazite da nitko ne stoji ispod vas kad koristite uređaj na visini.
9. Alat držite čvrsto, objema rukama.
10. Držite ruke dalje od dijelova koji se kreću.
11. Ne ostavljajte alat da radi. Atom radite isključivo držeći ga u ruci.
12. Dok je alat u radu, ne usmjeravajte ga prema osobama u blizini. Nastavak bi mogao izletjeti i nekoga ozbiljno ozlijediti.
13. Ne dodirujte nastavak, dijelove u blizini nastavka ili izradak neposredno nakon rada; mogu biti izuzetno vrući i opeći vam kožu.
14. Neki materijal sadrži kemikalije koje mogu biti toksične. Poduzmite potrebne mjere opreza da biste spriječili udisanje prašine i dodir s kožom. Pročitajte sigurnosno-tehnički list dobavljača materijala.
15. Ne dodirujte utikač golim rukama.

## ČUVAJTE OVE UPUTE.

**⚠ UPOZORENJE:** NEMOJTE dozvoliti da udobnost ili znanje o proizvodu (stečeno stalnim korištenjem) zamijene strogo pridržavanje sigurnosnih propisa za određeni proizvod. ZLOUPORABA ili nepridržavanje sigurnosnih propisa navedenih u ovom priručniku s uputama mogu prouzročiti ozbiljne ozljede.

## FUNKCIONALNI OPIS

**⚠ OPREZ:** Prije podešavanja ili provjere rada alata obavezno provjerite je li stroj isključen i je li kabel iskopčan.

## Uključivanje i isključivanje

**⚠ OPREZ:** Prije uključivanja stroja na električnu mrežu provjerite radi li uključno/isključna sklopka i vraća li se u položaj za isključivanje „OFF” nakon otpuštanja.

Za pokretanje alata jednostavno povucite uključno/isključnu sklopku. Brzina alata povećava se povećanjem pritiska na uključno/isključnu sklopku. Za zaustavljanje alata otpustite uključno/isključnu sklopku.

► **SI.1:** 1. Uključno/isključna sklopka

## Uključuje se prednja žaruljica

*Isključivo za HR3011FC, HR3012FC*

**⚠ OPREZ:** Nemojte izravno gledati u svjetlo ili izvor svjetlosti.

Da biste uključili lampicu, povucite uključno/isključnu sklopku. Za isključivanje otpustite uključno/isključnu sklopku.

► **SI.2:** 1. Lampica

**NAPOMENA:** Suhom krpom obrišite prljavštinu s leće žaruljice. Budite oprezni da ne zagrebete leću žaruljice jer to može smanjiti osvjetljenje.

## Rad prekidača za promjenu smjera

**⚠ OPREZ:** Uvijek provjerite smjer vrtnje prije rada.

**⚠ OPREZ:** Koristite prekidač za promjenu smjera tek kad se alat do kraja zaustavi. Promjena smjera vrtnje prije zaustavljanja može oštetiti alat.

**NAPOMENA:** Prilikom promjene smjera okretanja ručicu prekidača za promjenu smjera svakako postavite u položaj strane A ili strane B. U protivnom, ako je uključno/isključna sklopka povučena, motor se možda neće okretati ili alat možda neće ispravno raditi.

Ovaj alat ima prekidač za promjenu smjera vrtnje. Pomaknite ručicu prekidača za promjenu smjera vrtnje u položaj strane A za okretanje u smjeru kazaljke na satu ili u položaj strane B za okretanje suprotno od smjera kazaljke na satu.

► **SI.3:** 1. Ručica prekidača za promjenu smjera



## Promjena glave za brzu promjenu za SDS-plus

### Isključivo za HR3012FC

Glava za brzu promjenu za SDS-plus može se lako zamijeniti brzosteznom glavom za brzu promjenu.




## Uklanjanje glave za brzu promjenu za SDS-plus

**▲OPREZ:** Prije uklanjanja glave za brzu promjenu za SDS-plus obavezno prvo uklonite nastavak.

Uхватite ovaj za promjenu glave za brzu promjenu za SDS-plus i okrećite ga u smjeru strelice sve dok se ovaj za promjenu ne pomakne od simbola  prema simbolu . Snažno povucite u smjeru strelice.

► **SI.4:** 1. Glave za brzu promjenu za SDS-plus 2. Ovoj za promjenu 3. Cijev ovoja za promjenu

## Postavljanje brzostezne glave za brzu promjenu

Provjerite je li na cijevi brzostezne glave za brzu promjenu prikazan simbol . Uхватite ovaj za promjenu brzostezne glave za brzu promjenu i postavite cijev na simbol . Postavite brzosteznu glavu za brzu promjenu na vreteno alata. Uхватite ovaj za promjenu brzostezne glave za brzu promjenu i okrećite cijev ovoja za promjenu do simbola  sve dok jasno ne čujete škljocaj.


► **SI.5:** 1. Brzostezna glava za brzu promjenu 2. Vratilo 3. Cijev ovoja za promjenu 4. Ovoj za promjenu

## Odabir načina rada

**NAPOMENA:** Nemojte okretati gumb za promjenu načina rada dok alat radi. U suprotnom, alat će se oštetiti.


**NAPOMENA:** Da bi se izbjeglo brzo trošenje mehanizma za promjenu načina rada, uvijek postavite gumb za promjenu načina rada u jedan od tri položaja.

## Rotacija s udarnim bušenjem

Za bušenje betona, zidova itd. okrenite gumb za promjenu načina rada na simbol . Upotrebljavajte nastavak s vrhom od volframovog karbida (dodatni pribor).

► **SI.6:** 1. Rotacija s udarnim bušenjem 2. Gumb za promjenu načina rada


## Samo rotacija

Za bušenje drvenih, metalnih ili plastičnih materijala okrenite gumb za promjenu načina rada na simbol .

Upotrebljavajte spiralni nastavak ili nastavak za drvo.

► **SI.7:** 1. Samo rotacija

## Samo udarno bušenje

Za otkidanje, struganje ili rušenje okrenite gumb za promjenu načina rada na simbol . Upotrebljavajte špicu, željezno dljeto ili dljeto za struganje itd.

► **SI.8:** 1. Samo udarno bušenje

## Graničnik okretnog momenta

**NAPOMENA:** Čim se graničnik okretnog momenta aktivira, odmah isključite alat. To će spriječiti prerano trošenje alata.

**NAPOMENA:** Nastavci poput pile s rupom koji se lako zaglave ili priklješte u rupi nisu pogodni za upotrebu s ovim alatom. To je zato jer izazivaju prečestu aktivaciju graničnika okretnog momenta.

Graničnik okretnog momenta aktivira se kada se postigne određena razina okretnog momenta. Motor se odvaja od izlaznog vratila. Kada se to dogodi, nastavak će se prestati okretati.

## Elektroničke funkcije

Alat je opremljen elektroničkim funkcijama za lakši rad.

- Konstantna kontrola brzine  
Funkcija upravljanja brzinom omogućuje stalnu brzinu okretanja bez obzira na opterećenje.

## Otvor za zrak

### Isključivo za HR3011FC. HR3012FC

**▲OPREZ:** Nemojte stavljati prste u otvor za zrak i nemojte u njega umetati nikakve predmete. U protivnom se možete ozlijediti ili može doći do oštećenja alata.

Otvor za zrak služi za spajanje sustava sakupljača prašine.

Kada upotrebljavate sustav sakupljača prašine, pročistite dio o sustavu sakupljača prašine.

► **SI.9:** 1. Otvor za zrak

## MONTAŽA

**▲OPREZ:** Prije svakog zahvata alat obavezno isključite, a priključni kabel iskopčajte iz utičnice.

## Bočna ručka (dodatna ručka)

**▲OPREZ:** Za siguran rad uvijek upotrebljavajte bočnu ručku.

**▲OPREZ:** Nakon montiranja ili podešavanja bočne ručke provjerite je li čvrsto zategnuta.

Za postavljanje bočne ručke slijedite korake u nastavku.

1. Otpustite plosnati vijak na bočnoj ručki.

► **SI.10:** 1. Plosnati vijak

2. Pričvrstite bočnu ručku pritiskanjem plosnatog vijka tako da utori na ručki sjedaju u izbočine na kućištu alata.

► **SI.11:** 1. Plosnati vijak

3. Zategnite plosnati vijak kako biste učvrstili ručku. Ručka se može pričvrstiti pod željenim kutom.



## Podmazivanje

Na usadni kraj nastavka za bušenje unaprijed nanosite malu količinu maziva (približno 0,5 - 1 g).

To podmazivanje brzostezne glave osigurava lakši rad i duži vijek trajanja alata.

## Postavljanje ili uklanjanje nastavka za bušenje

Prije postavljanja nastavka za bušenje očistite usadni kraj nastavka za bušenje i nanosite mazivo.

► **SI.12:** 1. Usadni kraj 2. Podmazivanje

Umetnite nastavak za bušenje u alat. Okrećite nastavak za bušenje dok ne sjedne na svoje mjesto.

Nakon postavljanja nastavka za bušenje uvijek pokušajte izvući nastavak za bušenje da biste provjerili stoji li čvrsto na svom mjestu.

► **SI.13:** 1. Nastavak za bušenje


Da biste uklonili nastavak za bušenje, povucite poklopac brzostezne glave do kraja prema dolje i izvucite nastavak za bušenje.

► **SI.14:** 1. Nastavak za bušenje 2. Poklopac brzostezne glave

## Kut dljetja (za otkidanje, struganje ili rušenje)

Dlijeto se može pričvrstiti pod željenim kutom. Za promjenu kuta dljetja okrenite gumb za promjenu načina rada na simbol O. Okrenite dlijeto u željeni kut.

► **SI.15:** 1. Gumb za promjenu načina rada

Okrenite gumb za promjenu načina rada na simbol . Zatim provjerite stoji li dlijeto čvrsto na mjestu tako da ga lagano okrenete.

## Graničnik dubine

Graničnik dubine prikladan je za bušenje otvora ujednačene dubine. Pritisnite i držite gumb za blokadu te umetnite graničnik dubine u šesterokutni otvor. Provjerite je li nazubljena strana graničnika dubine okrenuta prema oznaci.

► **SI.16:** 1. Graničnik dubine 2. Gumb za blokadu 3. Oznaka 4. Nazubljena strana

Prilagodite graničnik dubine tako da pritisnete gumb za blokadu te istodobno pomičete graničnik dubine naprijed-natrag. Nakon namještanja graničnika otpustite gumb za blokadu kako biste učvrstili graničnik dubine.

**NAPOMENA:** Pazite da graničnik dubine ne dodiruje glavno kućište alata prilikom pričvršćivanja.

## Čašica za prašinu

### Dodatni pribor

Upotrijebite čašicu za prašinu kako prašina ne bi padala po alatu i vama dok bušite rupe iznad glave. Pričvrstite čašicu za prašinu na nastavak kao što je prikazano na slici. Veličine nastavaka na koje se čašica za prašinu može postaviti su sljedeće.

Model	Promjer nastavka
Čašica za prašinu 5	6 mm - 14,5 mm
Čašica za prašinu 9	12 mm - 16 mm

► **SI.17:** 1. Čašica za prašinu

## Komplet čašica za prašinu


### Dodatni pribor

## Za modele HR3011FC, HR3001C


**NAPOMENA:** Pri upotrebi kompleta čašica za prašinu na modelima HR3011FC, HR3001C potreban je i razmačnik.

Prije postavljanja kompleta čašica za prašinu uklonite nastavak iz alata ako je umetnut.

Pričvrstite razmačnik na komplet čašica za prašinu.

Simbol  na čašici za prašinu poravnat je s utorom na razmačniku.

► **SI.18:** 1. Razmačnik 2. Simbol  3. Utor

Komplet čašica za prašinu s razmačnikom postavite na alat tako da je simbol  na čašici za prašinu poravnat s utorom na alatu.

► **SI.19:** 1. Simbol  2. Utor

Za uklanjanje kompleta čašica za prašinu uklonite nastavak povlačenjem poklopca brzostezne glave u smjeru strelice.


► **SI.20:** 1. Nastavak 2. Poklopac brzostezne glave

Uхватite čašicu za prašinu za dno i izvucite je van.

► **SI.21**

## Za model HR3012FC

Prije postavljanja kompleta čašica za prašinu uklonite nastavak iz alata ako je umetnut.

Komplet čašica za prašinu postavite na alat tako da je simbol  na čašici za prašinu poravnat s utorom na alatu.

► **SI.22:** 1. Simbol  2. Utor

Za uklanjanje kompleta čašica za prašinu uklonite nastavak povlačenjem poklopca brzostezne glave u smjeru strelice.

► **SI.23:** 1. Nastavak 2. Poklopac brzostezne glave

Uхватite čašicu za prašinu za dno i izvucite je van.

► **SI.24**

**NAPOMENA:** Ako priključujete usisavač s kompletom čašica za prašinu, uklonite poklopac za prašinu prije priključivanja.

► **SI.25:** 1. Poklopac za prašinu

**NAPOMENA:** Ako se skine poklopac s čašice za prašinu, pričvrstite ga s otisnutom stranom prema gore tako da utar na poklopcu sjedne u unutarnji periferni dio priključka.

► **SI.26**

## Kuka alata

### Dodatni pribor

**⚠ UPOZORENJE:** Nemojte upotrebljavati oštećenu kuku alata i vijak.

**⚠ UPOZORENJE:** Upotrijebite isključivo vijak isporučen s kukom alata.

**⚠ UPOZORENJE:** Prije upotrebe kuke alata uvijek provjerite postoje li oštećenja, pukotine ili iskrivljenja i provjerite je li vijak zategnut.

**⚠ OPREZ:** Kuku alata postavite ili uklonite na stabilnom stolu ili površini.

Kuka alata namijenjena je spajanju uzice (sigurnosna uzica). Za postavljanje kuke alata na alat slijedite korake u nastavku.

1. Iskopčajte utikač iz izvora napajanja.
  2. Umetnite izbočenja kuke alata u otvore na alatu.
  3. Čvrsto zategnite vijke.
- ▶ **SI.27:** 1. Kuka alata 2. Otvor 3. Izbočina 4. Vijak

## SUSTAV SAKUPLJAČA PRAŠINE

### Isključivo za HR3011FC. HR3012FC

#### Dodatni pribor

Sustav sakupljača prašine namijenjen je za učinkovito sakupljanje prašine prilikom zahvata bušenja betona.

▶ **SI.28:** 1. Sustav sakupljača prašine

**⚠ OPREZ:** Prije svakog zahvata na uređaju obavezno ga isključite, a priključni kabel iskopčajte iz utičnice. Ako to ne učinite, možete pretrpjeti ozbiljne ozljede zbog slučajnog pokretanja.

**⚠ OPREZ:** Na sustav sakupljača prašine uvijek pričvrstite filtar. U protivnom će doći do udisanja prašine.

**⚠ OPREZ:** Provjerite da filtar nije oštećen. U protivnom može doći do udisanja prašine.

**NAPOMENA:** Nemojte upotrebljavati sustav za sakupljanje prašine za jezgreno bušenje ili klesanje. Sustav sakupljača prašine namijenjen je samo za bušenje betona.

**NAPOMENA:** Sustav sakupljača prašine nemojte upotrebljavati ako bušite u metalu ili drvu. Sustav sakupljača prašine namijenjen je samo za beton.

**NAPOMENA:** Nemojte upotrebljavati sustav za sakupljanje prašine za bušenje u vlažnom betonu ili u vlažnim uvjetima. U protivnom može doći do kvara.

**NAPOMENA:** Sustav za sakupljanje prašine sakuplja nakupljenu prašinu značajnom brzinom, ali nije moguće sakupiti svu prašinu.

## Postavljanje ili uklanjanje sustava za sakupljanje prašine

**NAPOMENA:** Prije postavljanja sustava sakupljača prašine očistite spojen dijelove alata i sustav sakupljača prašine.

Strana tijela na spojnim dijelovima mogu otežati postavljanje sustava za sakupljanje. Posebice strana tijela na električnom spoju mogu izazvati neispravnost.

Ako na otvoru za zrak ostane prašine, ona ulazi u alat i izaziva blokadu protoka zraka ili kvar alata.

Sustav sakupljača prašine zakvačite na alat i zatim sustav sakupljača prašine do kraja umetnite tako da sjedne na svoje mjesto uz dvostruki škljocaj. Zatim provjerite je li sustav sakupljača prašine sigurno postavljen.

▶ **SI.29:** 1. Otvor za zrak

Prilikom skidanja sustava sakupljača prašine pritisnite gumb za deblokadu.

▶ **SI.30:** 1. Gumb za deblokadu

## Prilagodba položaja mlaznice sustava za sakupljanje prašine

**⚠ OPREZ:** Mlaznicu nemojte usmjeravati prema sebi ili drugima kada otpuštate mlaznicu pritiskom na gumba za prilagodbu vodilice.

Vodilicu pritišćite dok istodobno držite pritisnutim gumb za prilagodbu vodilice, a zatim otpustite gumb za prilagodbu vodilice kad postignete željeni položaj.

▶ **SI.31:** 1. Vodilica 2. Gumb za prilagodbu vodilice

## Prilagodba dubine bušenja na sustavu za sakupljanje prašine

Klizno pomaknite gumb za prilagodbu dubine u željeni položaj istodobno ga držeći pritisnutim. Udaljenost (A) predstavlja dubinu bušenja.

▶ **SI.32:** 1. Gumb za prilagodbu dubine

## Otresanje prašine s filtra

**⚠ OPREZ:** Nemojte okretati regulator na kutiji za prašinu dok je uklanjate iz sustava za sakupljanje prašine. U protivnom može doći do udisanja prašine.

**⚠ OPREZ:** Uvijek isključite uređaj kad okrećete regulator na kutiji za prašinu. Okretanje regulatora dok je uređaj uključen može rezultirati gubitkom kontrole nad uređajem.

Otresanjem prašine s filtra unutar kutije za prašinu održava se učinkovitost usisavanja i smanjuje broj pražnjenja prašine u otpad.

Okrenite regulator na kutiji za prašinu tri puta nakon prikupljanja 50.000 mm<sup>3</sup> prašine ili kada vam se učini da se učinkovitost usisavanja smanjila.

**NAPOMENA:** 50.000 mm<sup>3</sup> prašine odgovara bušenju 10 rupa promjera ø10 mm i dubine 14 mm (2 rupa promjera ø65° i dubine 3/8").

▶ **SI.33:** 1. Kutija za prašinu 2. Regulator

## Odlaganje prašine

**▲OPREZ:** Obavezno nosite masku za zaštitu od prašine prilikom odlaganja prašine.

**▲OPREZ:** Redovito praznite kutiju za prašinu prije nego što se potpuno napuni. U protivnom može doći do smanjenja učinkovitosti prikupljanja prašine što zatim može izazvati udisanje prašine.

**▲OPREZ:** Zamijenite filtar novim nakon otprilike 200 punjenja. Začepljeni filtar smanjuje učinkovitost prikupljanja prašine što zatim može izazvati udisanje prašine.

**NAPOMENA:** Kada čistite filtar, rukom blago lupkajte po kućištu filtra da biste uklonili prašinu. Nemojte lupkati izravno po filtru, dodirivati filtar četkom ili sličnim predmetom ili ispuhivati komprimirani zrak na filtru. U protivnom možete oštetiti filtar.

1. Uklonite kutiju za prašinu pritiskom na ručicu kutije za prašinu.  
▶ **SI.34:** 1. Ručica
2. Otvorite poklopac kutije za prašinu.  
▶ **SI.35:** 1. Poklopac
3. Odložite prašinu u otpad, a zatim očistite filtar.  
▶ **SI.36**

## Zamjena filtra ili kutije za prašinu

1. Uklonite kutiju za prašinu pritiskom na ručicu kutije za prašinu. (Pogledajte odjeljak o odlaganju prašine.)
2. Otvorite poklopac filtra kutije za prašinu.  
▶ **SI.37:** 1. Poklopac filtra
3. Uklonite filtar iz kućišta filtra.  
▶ **SI.38:** 1. Filtar 2. Kućište filtra
4. Pričvrstite novi filtar na kućište filtra, a zatim pričvrstite poklopac filtra.
5. Zatvorite poklopac kutije za prašinu, a zatim kutiju za prašinu pričvrstite na sustav za sakupljanje prašine.

## Zamjena brtvenog čepa

Ako je brtveni čep istošen, doći će do slabije izvedbe sakupljača prašine. Zamijenite istrošeni brtveni čep. Uklonite brtveni čep, a zatim pričvrstite novi, pazeci da izbočeni dio bude okrenut prema gore.

- ▶ **SI.39:** 1. Izbočina 2. Brtveni čep

## RAD

**▲OPREZ:** Tijekom rada uvijek se koristite bočnom ručkom (pomoćnom ručkom) i čvrsto držite alat za bočnu ručku i ručku sa sklopkom.

**▲OPREZ:** Prije rada uvijek provjerite je li izradak učvršćen.


**▲OPREZ:** Nemojte izvlačiti alat na silu čak i kad se nastavak zaglavi. Gubitak kontrole može uzrokovati ozljedu.

**▲OPREZ:** Isključivo za HR3011FC. HR3012FC  
Prije upotrebe sustava sakupljača prašine s alatom, pročitajte dio o sustavu sakupljača prašine.

▶ **SI.40**

## Rad udarnom bušilicom


**▲OPREZ:** Na alat/nastavak djeluje jaka i iznenadna zavrtna sila u trenutku bušenja rupe ako rupa postane začepljena krhotinama i česticama ili ako dođe do kontakta s armaturnim žicama u betonu. Tijekom rada uvijek se koristite bočnom ručkom (pomoćnom ručkom) i čvrsto držite alat za bočnu ručku i ručku sa sklopkom. Ako to ne učinite, može doći do gubitka kontrole nad alatom i moguće su teške ozljede.

Postavite gumb za promjenu načina rada na simbol . Postavite nastavak za bušenje u željeni položaj za izradu rupe, a zatim povucite uključno-isključnu sklopku. Nemojte primjenjivati silu na alat. Lagani pritisak daje najbolje rezultate. Držite alat na mjestu i spriječite klizanje iz rupe.

Nemojte primjenjivati veći pritisak ako je rupa začepljena krhotinama ili česticama. Umjesto toga pokrenite alat u praznom hodu pa djelomično uklonite nastavak za bušenje iz rupe. Ponavljanjem ove radnje nekoliko puta rupa će se očistiti i normalno bušenje može se nastaviti.

**NAPOMENA:** Dok alat radi bez opterećenja, moguća su odstupanja u rotaciji nastavka za bušenje. Alat se automatski centrirá tijekom rada. To ne utječe na preciznost bušenja.

## Otkidanje/Struganje/Rušenje

Postavite gumb za promjenu načina rada na simbol . Čvrsto držite alat objema rukama. Uključite alat i blago ga pritisnite, tako da spriječite nekontrolirano poskakanje alata. Snažnim pritiskanjem neće se povećati učinkovitost alata.

▶ **SI.41**

## Bušenje drveta ili metala

**▲OPREZ:** Čvrsto držite alat i obratite posebnu pozornost kad nastavak za bušenje počne prolaziti kroz izradak. Pri bušenju rupe na alat/nastavak za bušenje utječe velika sila.

**▲OPREZ:** Nastavak za bušenje koji se zaglavi lako se može ukloniti postavljanjem prekidača u obrnuti smjer vrtnje da bi ga povukao van. No alat može naglo odskočiti unatrag ako ga ne držite čvrsto.

**▲OPREZ:** Izratke uvijek držite u škripcu ili sličnom uređaju.

**NAPOMENA:** Nikada ne upotrebljavajte način rada „rotacija s udarnim bušenjem“ kada je na alat montirana brzostezna glava. U protivnom, brzostezna glava može se oštetiti. Osim toga, brzostezna glava će ispasti kada promijenite smjer vrtnje alata.

**NAPOMENA:** Jače pritiskanje alata neće ubrzati bušenje. Štoviše, dodatni će pritisak samo oštetiti vrh vašeg nastavka za bušenje, smanjiti performanse alata i skratiti njegov radni vijek.

Okrenite gumb za promjenu načina rada na simbol .

## Za modele HR3011FC, HR3001C

### Dodatni pribor

Pričvrstite adapter za ključ na brzosteznu glavu bez ključa na koju je moguće postaviti vijak veličine 1/2"-20, a zatim ih instalirajte na alat. Pojednosto o postavljanju potražite u odjeljku „Postavljanje ili uklanjanje nastavka za bušenje“.

► **SI.42:** 1. Brzostezna glava bez ključa 2. Adapter za ključ

## Za model HR3012FC

Koristite brzosteznu glavu za brzu promjenu kao dio standardne opreme. Prilikom instaliranja pogledajte odlomak „Promjena glave za brzu promjenu za SDS-plus“.


Držite prsten i rukavac okrenite u smjeru suprotnom od smjera kazaljke na satu da biste otvorili čeljusti brzostezne glave. Postavite nastavak u glavu što dalje. Držite prsten čvrsto i rukavac okrenite u smjeru kazaljke na satu da biste zategnuli brzosteznu glavu.

► **SI.43:** 1. Rukavac 2. Prsten

Da biste uklonili nastavak, držite prsten i okrenite tuljak u smjeru suprotnom od smjera kazaljke na satu.

## Bušenje dijamantnom krunom

**NAPOMENA:** Ako bušite dijamantnom krunom u načinu rada „rotacija s udarnim bušenjem“, možete oštetiti nastavak s dijamantnom krunom.

Kada bušite dijamantnom krunom, uvijek postavite ručicu za promjenu načina rada u položaj  da biste uključili funkciju „samo rotacija“.

## Balon za ispuhivanje

### Dodatni pribor

Nakon bušenja rupe pomoću balona za ispuhivanje očistite prašinu iz rupe.

► **SI.44**

## Upotreba kompleta čašica za prašinu

### Dodatni pribor


Pričvrstite komplet čašica za prašinu na strop prilikom rada s alatom.

► **SI.45**

**NAPOMENA:** Nemojte upotrebljavati komplet čašica za prašinu ako bušite u metalu ili sličnim materijalima. Može doći do oštećenja kompleta čašica za prašinu zbog vrućine koju proizvodi sitna metalna prašina ili slično.

**NAPOMENA:** Nemojte postavljati ili uklanjati komplet čašica za prašinu dok je nastavak za bušenje umetnut u alat. Tako se može oštetiti komplet čašica za prašinu i prouzročiti propuštanje prašine.

## Spajanje uzice (sigurnosne uzice) na kuku alata

 Sigurnosna upozorenja specifična za upotrebu na visini

Pročitajte sva sigurnosna upozorenja i upute.

Nepridržavanje upozorenja ili uputa može rezultirati ozbiljnim ozljedama.

1. **Uvijek održavajte alat pričvršćenim prilikom rada na visini. Maksimalna duljina uzice iznosi 2 m. Maksimalna dopuštena visina pada uzice (sigurnosne uzice) ne smije prelaziti 2 m.**
  2. **Upotrebljavajte samo s uzicama prikladnim za ovu vrstu alata koje su namijenjene za težinu od najmanje 7,5 kg.**
  3. **Nemojte pričvršćivati uzicu alata na bilo koji dio tijela ili na pokretne komponente. Pričvrstite uzicu alata na stabilnu strukturu koja može izdržati sile u slučaju pada alata.**
  4. **Pazite da uzica bude ispravno osigurana na svaki kraj prije upotrebe.**
  5. **Pregledajte postoje li oštećenja na alatu i uzici prije svake upotrebe te rade li ispravno (uključujući tkaninu i šavove). Nemojte koristiti u slučaju oštećenja ili neispravnog rada.**
  6. **Nemojte motati uzicu oko alata i pazite da ne dođe u dodir s oštrim ili neravnim rubovima.**
  7. **Pričvrstite drugi kraj uzice izvan radnog područja tako da alat bude dobro pričvršćen u slučaju pada.**
  8. **Pričvrstite uzicu tako da alat u tom slučaju ne može pasti na rukovatelja. Ispušteni alat njihov će se na uzici, što može dovesti do ozljeđivanja ili gubitka ravnoteže.**
  9. **Nemojte koristiti alat u blizini pokretnih dijelova ili radnih dijelova postrojenja. U protivnom može doći do opasnosti od loma ili zapetljanja.**
  10. **Nemojte nositi alat držeći ga za pričvršni uređaj ili uzicu.**
  11. **Alat prenosite između ruku samo kad dok održavate odgovarajuću ravnotežu.**
  12. **Nemojte pričvršćivati uzice na alat tako da ometaju rad sklopki ili blokade sklopke (ako je isporučena).**
  13. **Pazite da se ne zapetljate u uzicu.**
  14. **Držite uzicu podalje od područja bušenja alata.**
  15. **Koristite višenamjenske karabine s navojem. Nemojte koristiti karabine s oprugom.**
  16. **U slučaju ispuštanja alata, alat treba označiti i ukloniti iz upotrebe, a zatim poslati na pregled u tvornicu Makita ili ovlašteni servisni centar.**
- **SI.46:** 1. Kuka alata 2. Uzica (sigurnosna uzica)

## ODRŽAVANJE

**⚠ OPREZ:** Uvijek isključite i iskopčajte alat iz utičnice prije obavljanja pregleda ili održavanja.

**NAPOMENA:** Nikada nemojte koristiti benzin, mješavinu benzina, razrjeđivač, alkohol ili slično. Kao rezultat toga može se izgubiti boja, pojaviti deformacija ili pukotine.

Da biste zadržali SIGURNOST I POUZDANOST proizvoda, održavanje ili namještanja trebali biste prepustiti ovlaštenim servisnim ili tvorničkim centrima tvrtke Makita; uvijek rabite originalne rezervne dijelove.

## DODATNI PRIBOR

**⚠ OPREZ:** Ovaj dodatni pribor ili priključci preporučuju se samo za upotrebu s alatom Makita navedenim u ovom priručniku. Upotreba bilo kojeg drugog dodatnog pribora ili priključaka može prouzročiti ozljede. Upotrebljavajte dodatni pribor ili priključak samo za njegovu navedenu svrhu.

Ako vam je potrebna pomoć za više detalja u pogledu ovih dodatnih pribora, obratite se najbližem Makita servisnom centru.

- Nastavak za bušenje s karbidnim vrhom (SDS-Plus nastavci s karbidnim vrhom)
- Kruna
- Špica
- Dijamantna kruna
- Željezno dljeto
- Sjekač
- Dlijeto za žljebove
- Adapter za ključ
- Brzostezna glava bez ključa
- Mazivo za nastavak
- Graničnik dubine
- Balon za ispuhivanje
- Čašica za prašinu
- Komplet čašica za prašinu
- Razmačnik (za model HR3011FC, HR3001C)
- Sustav sakupljača prašine (za HR3011FC, HR3012FC)
- Zaštitne naočale
- Kuka alata

**NAPOMENA:** Neke stavke iz popisa se mogu isporučiti zajedno sa strojem kao standardni dodatni pribori. Oni mogu biti različiti ovisno o zemlji.

## СПЕЦИФИКАЦИИ

Модел:		HR3011FC	HR3012FC	HR3001C
Капацитети	Бетон	30 мм		
	Цевкаста бургија	80 мм		
	Дијамантска цевкаста бургија (сув тип)	80 мм		
	Челик	13 мм		
	Дрво	32 мм		
Брзина без оптоварување		0 - 840 мин. <sup>-1</sup>		
Удари во минута		0 - 4.500 мин. <sup>-1</sup>		
Вкупна должина		369 мм	386 мм	369 мм
Нето тежина		4,4 - 4,8 кг	4,5 - 4,8 кг	4,1 - 4,6 кг
Класа на безбедност		II/II		

### Опционален додаток

Модел:	DX10 (За HR3011FC)	DX11 (За HR3012FC)
Применлив работен материјал и работен режим	само за дупчење во бетон (не е за метал или дрво, ниту за дупчење со јадро или длетување)	
Смукање	0,35 л/мин	
Работен потег	До 190 мм	
Соодветна бургија	До 265 мм	
Нето тежина	1,2 кг	

- Поради нашата континуирана програма за истражување и развој, спецификациите тука подлежат на промена без најава.
- Спецификациите може да се разликуваат од држава до држава.
- Тежината може да се разликува во зависност од додатоките. Најлесната и најтешката комбинација, согласно процедурата на ЕПТА 01/2014 (Европската асоцијација за електрични алати), се прикажани во табелата.

## Наменета употреба

Овој алат е наменет за ударно дупчење и дупчење во тули, бетон и камен, како и за длетување. Соодветен е и за дупчење без удар во дрво, метал, керамика и пластика.

## Напојување

Алатот треба да се поврзува само со напојување со ист напон како што е назначено на плочката и може да работи само на еднофазна наизменична струја. Алатот е двојно изолиран и може да се користи и со приклучоци што не се заземјени.

## Бучава

Типична А-вредност за ниво на бучавата одредена во согласност со EN60745-2-6:

### Модел HR3011FC

Ниво на звучниот притисок ( $L_{pA}$ ): 94 dB (A)  
Ниво на јачина на звукот ( $L_{WA}$ ): 105 dB (A)  
Отстапување (K): 3 dB (A)

### Модел HR3012FC

Ниво на звучниот притисок ( $L_{pA}$ ): 93 dB (A)  
Ниво на јачина на звукот ( $L_{WA}$ ): 104 dB (A)  
Отстапување (K): 3 dB (A)

### Модел HR3001C

Ниво на звучниот притисок ( $L_{pA}$ ): 94 dB (A)  
Ниво на јачина на звукот ( $L_{WA}$ ): 105 dB (A)  
Отстапување (K): 3 dB (A)

### Модел HR3011FC со DX10

Ниво на звучниот притисок ( $L_{pA}$ ): 96 dB (A)  
Ниво на јачина на звукот ( $L_{WA}$ ): 107 dB (A)  
Отстапување (K): 3 dB (A)

### Модел HR3012FC со DX11

Ниво на звучниот притисок ( $L_{pA}$ ): 94 dB (A)  
Ниво на јачина на звукот ( $L_{WA}$ ): 105 dB (A)  
Отстапување (K): 3 dB (A)

**НАПОМЕНА:** Номиналната вредност(и) за емисија на бучава е измерена во согласност со стандардни методи за испитување и може да се користи за споредување алати.

**НАПОМЕНА:** Номиналната вредност(и) за емисија на бучава може да се користи и како прелиминарна процена за изложеност.

**▲ПРЕДУПРЕДУВАЊЕ:** Носете заштита за ушите.

**▲ПРЕДУПРЕДУВАЊЕ:** Емисијата на бучава при фактичкото користење на алатот може да се разликува од номиналната вредност(и), зависно од начинот на којшто се користи алатот, особено од тоа како вид работен материјал се обработува.

**▲ПРЕДУПРЕДУВАЊЕ:** Погрижете се да ги утврдите безбедносните мерки за заштита на лицето кое ракува со алатот врз основа на процена на изложеноста при фактичките услови на употреба (земајќи ги предвид сите делови на работниот циклус, како периодите кога електричниот алат е исклучен и кога работи во празен од, не само кога е активен).

## Вибрации

Следната табела ја прикажува вкупна вредност на вибрациите (векторска сума на три оски) одредена според важечкиот стандард.

### Модел HR3011FC

Работен режим	Ширење вибрации	Отстапување (К)	Применлив стандард
Ударно дупчење во бетон ( $a_{h, HD}$ )	9,5 м/с <sup>2</sup>	1,5 м/с <sup>2</sup>	EN60745-2-6
Ударно дупчење во бетон со DX10 ( $a_{h, HD}$ )	9,5 м/с <sup>2</sup>	1,5 м/с <sup>2</sup>	EN60745-2-6
Функција за длетување со страничен држач ( $a_{h, Cheq}$ )	6,0 м/с <sup>2</sup>	1,5 м/с <sup>2</sup>	EN60745-2-6
Дупчење во метал ( $a_{h, D}$ )	5,5 м/с <sup>2</sup>	1,5 м/с <sup>2</sup>	EN62841-2-1

### Модел HR3012FC

Работен режим	Ширење вибрации	Отстапување (К)	Применлив стандард
Ударно дупчење во бетон ( $a_{h, HD}$ )	9,5 м/с <sup>2</sup>	1,5 м/с <sup>2</sup>	EN60745-2-6
Ударно дупчење во бетон со DX11 ( $a_{h, HD}$ )	8,0 м/с <sup>2</sup>	1,5 м/с <sup>2</sup>	EN60745-2-6
Функција за длетување со страничен држач ( $a_{h, Cheq}$ )	5,5 м/с <sup>2</sup>	1,5 м/с <sup>2</sup>	EN60745-2-6
Дупчење во метал ( $a_{h, D}$ )	6,0 м/с <sup>2</sup>	1,5 м/с <sup>2</sup>	EN62841-2-1

## Модел HR3001C

Работен режим	Ширење вибрации	Отстапување (К)	Применлив стандард
Ударно дупчење во бетон ( $a_{h, HD}$ )	13,5 м/с <sup>2</sup>	1,5 м/с <sup>2</sup>	EN60745-2-6
Функција за длетување со страничен држач ( $a_{h, Cheq}$ )	11,0 м/с <sup>2</sup>	1,5 м/с <sup>2</sup>	EN60745-2-6
Дупчење во метал ( $a_{h, D}$ )	6,0 м/с <sup>2</sup>	1,5 м/с <sup>2</sup>	EN62841-2-1

**НАПОМЕНА:** Вкупната вредност(и) на номиналната јачина на вибрациите е измерена во согласност со стандардни методи за испитување и може да се користи за споредување алати.

**НАПОМЕНА:** Вкупната вредност(и) на номиналната јачина на вибрациите може да се користи и како прелиминарна процена за изложеност.

**▲ПРЕДУПРЕДУВАЊЕ:** Јачината на вибрациите при фактичкото користење на алатот може да се разликува од номиналната вредност(и), зависно од начинот на којшто се користи алатот, особено од тоа како вид работен материјал се обработува.

**▲ПРЕДУПРЕДУВАЊЕ:** Погрижете се да ги утврдите безбедносните мерки за заштита на лицето кое ракува со алатот врз основа на процена на изложеноста при фактичките услови на употреба (земајќи ги предвид сите делови на работниот циклус, како периодите кога електричниот алат е исклучен и кога работи во празен од, не само кога е активен).

## Декларација за сообразност од ЕУ

*Само за земјите во Европа*

Декларацијата за сообразност од ЕУ е вклучена во Додаток А од упатствата за корисникот.

## БЕЗБЕДНОСНИ ПРЕДУПРЕДУВАЊА

### Општи упатства за безбедност за електричните алати

**▲ПРЕДУПРЕДУВАЊЕ:** Прочитајте ги сите безбедносни предупредувања, упатства, илустрации и спецификации дадени со електричниот алат. Ако не се почитуваат сите упатства наведени подолу, може да дојде до струен удар, пожар и/или сериозни повреди.

## Чувајте ги сите предупредувања и упатства за да може повторно да ги прочитате.

Под терминот „електричен алат“ во предупредувањата се мисли на вашиот електричен алат кој работи на струја (со кабел) или на батерии (безжично).

## БЕЗБЕДНОСНИ ПРЕДУПРЕДУВАЊА ЗА ВРТЛИВАТА ЧЕКАН-ДУПЧАЛКА

1. Носете штитници за уши. Изложувањето на бучава може да предизвика губење на слухот.
2. Користете помошна рачка(и), ако е доставена со алатот. Губењето контрола може да предизвика повреда.
3. Држете го алатот за изолираните држачи кога вршите работи каде додатокот за сечење може да дојде во допир со скриени жици или со сопствениот кабел. Додатокот за сечење што ќе допрат жица под напон може да ја пренесат струјата до металните делови на алатот и да предизвикаат струен удар на операторот.
4. Носете тврда капа (заштитен шлем), заштитни очила и/или штитник за лице. Обичните очила или очилата за сонце НЕ СЕ заштитни очила. Сериозно се препорачува да носите маска што штити од прав и дебело обложени ракавици.
5. Проверете дали бургијата е зацврстена пред да почнете да работите.
6. При нормално работење, алатот создава вибрации. Шрафовите можат лесно са се опаваат, да предизвикаат прекин на работата или незгода. Проверете колку цврсто се завртени шрафовите пред да почнете да работите.
7. Кога е ладно времето или кога алатот не бил користен долго време, дозволете алатот да се загрее за миг, нека работи извесно време без оптоварување. На тој начин ќе се подмачка. Без правилно загревање, тешко ќе оди ковањето.
8. Бидете сигурни дека секогаш стоите на цврста подлога. Уверете се дека под Вас нема никој кога го користите алатот на високи места.
9. Цврсто држете го алатот со двете раце.
10. Држете ги рацете подалеку од подвижните делови.
11. Не оставајте го алатот вклучен. Работете со алатот само кога го држите в раце.
12. Не покажувајте со алатот кон лица што се во просторот во кој се работи. Бургијата може да излета и да повреди некого сериозно.
13. Не допирајте ги бургијата, деловите близу главата или работниот материјал веднаш по работата. Тие може да бидат многу жешки и да ви ја изгорат кожата.
14. Некои материјали содржат хемикалии што можат да бидат отровни. Избегнувајте вдишување на прашината и избегнувајте контакт на прашината со кожата. Следете ги упатствата од производителот на материјалот.
15. Не допирајте го приклучокот за напојување со влажни раце.

## ЧУВАЈТЕ ГО УПАТСТВОТО.

**▲ ПРЕДУПРЕДУВАЊЕ: НЕ ДОЗВОЛУВАЈТЕ** удобности или познавањето на производот (стекнати со подолга употреба) да ве наведат да не се придржувате строго до безбедносните правила за овој производ. **ЗЛОУПОТРЕБАТА** или непочитувањето на безбедносните правила наведени во ова упатство може да предизвикаат тешка телесна повреда.

## ОПИС НА ФУНКЦИЈИТЕ

**▲ ВНИМАНИЕ:** Пред секое дотерување или проверка на алатот, проверете дали е исклучен и откачен од струја.

### Вклучување

**▲ ВНИМАНИЕ:** Пред да го приклучите кабелот во мрежата, проверете го прекинувачот дали функционира правилно и дали се враќа во положбата „OFF“ кога ќе се отпусти.

За вклучување на алатот, едноставно повлечете го прекинувачот за стартување. Брзината на алатот се зголемува со зголемување на притисокот врз прекинувачот. Отпустете го прекинувачот за да сопрете.

► **Сл.1:** 1. Прекинувач

### Вклучување на предната ламба

Само за **HR3011FC, HR3012FC**

**▲ ВНИМАНИЕ:** Не гледајте директно во светлината или во изворот на светлина.

За да ја вклучите ламбата, повлечете го прекинувачот за стартување. Отпустете го прекинувачот за стартување за да се исклучи.

► **Сл.2:** 1. Ламба

**НАПОМЕНА:** Користете сува крпа за да ја избришете нечистотијата од леќата на ламбата. Внимавајте да не ја изгребете леќата на ламбата затоа што тоа може да го намали осветлувањето.

### Прекинувач за обратна акција

**▲ ВНИМАНИЕ:** Секогаш проверувајте ја насоката на ротација пред работата.

**▲ ВНИМАНИЕ:** Користете го прекинувачот за обратна акција само откако алатот целосно ќе запре. Променувањето на насоката на ротација пред алатот целосно да застане може да го оштети алатот.

**ЗАБЕЛЕШКА:** При менување на насоката на ротација, поставете го прекинувачот за обратна акција целосно во страна **A** или страна **B**. Во спротивно, кога ќе се повлече прекинувачот за стартување, моторот може да не ротира или алатот нема да работи правилно.

Овој алат има прекинувач за обратна акција за менување на насоката на ротацијата. Поместете ја рачката на прекинувачот за обратна акција во положба страна **A** за ротација во насока на стрелките на часовникот или во положба страна **B** за ротација во насока спротивна од стрелките на часовникот.

► **Сл.3:** 1. Рачка на прекинувачот за обратна акција





## Промена на клинот за брза промена за SDS-plus

### Само за HR3012FC

Клинот за брза промена за SDS-plus може лесно да се замени со клинот за сопирање за дупчалката за брза промена.




## Отстранување на клинот за брза промена за SDS-plus

**ВНИМАНИЕ:** Пред да го отстраните клинот за брза промена за SDS-plus, отстранете ја бургијата.

Фатете го капакот за промена на клинот за брза промена за SDS-plus и вртете го во насока на стрелката додека линијата на капакот за промена не се премести од симболот  на симболот . Повлечете силно во насока на стрелката.

- **Сл.4:** 1. Клин за брза промена за SDS-plus  
2. Капак за промена 3. Линија на капакот за промена

## Монтирање на клинот за сопирање за дупчалката за брза промена

Проверете дали линијата на клинот за сопирање за дупчалката за брза промена покажува на симболот . Фатете го капакот за промена на клинот за сопирање за дупчалката за брза промена и поставете ја линијата на симболот . Поставете го клинот за сопирање за дупчалката за брза промена на вретеното од алатот. Фатете го капакот за промена на клинот за сопирање за дупчалката за брза промена и вртете ја линијата кон симболот  додека не се слушне кликување.


- **Сл.5:** 1. Клин за сопирање за дупчалката за брза промена 2. Вретено 3. Линија на капакот за промена 4. Капак за промена

## Избирање на работниот режим

**ЗАБЕЛЕШКА:** Не ротирајте го копчето за менување на режимот на активност кога е вклучен алатот. Алатот ќе се оштети.


**ЗАБЕЛЕШКА:** За да се избегне брзо абеење на механизмот за менување на режимот на активност, секогаш внимавајте копчето за менување на режимот на активност да е прецизно поставено на една од трите позиции за режим на активност.

## Ротација со ковање

За дупчење во бетон, малтер итн., свртете го копчето за менување на режимот на активност на симболот . Користете бургија со врв од волфрамов карбид (додаток по избор).


- **Сл.6:** 1. Ротација со ковање 2. Копче за промена на работниот режим

## Само ротација

За дупчење дрво, метал или пластика, ротирајте го копчето за менување на режимот на активност на симболот . Користете извиткана бургија за дупчење или бургија за дрво.

- **Сл.7:** 1. Само ротација

## Само ковање

За операции на отсекување, смалување или уривање, свртете го копчето за менување на режимот на активност на симболот . Користете остра челична шипка, ладно длето, длето за делење итн.

- **Сл.8:** 1. Само ковање

## Ограничувач на вртежите

**ЗАБЕЛЕШКА:** Штом ќе се активира ограничувачот на вртежите, исклучете го веднаш алатот. Така ќе се спречи прераното абеење на алатот.

**ЗАБЕЛЕШКА:** Бургиите, како што е пила за дупки, која има тенденција да се заглавува или да се зафаќа лесно во дупката, не се подобни за овој алат. Тоа е заради тоа што тие предизвикуваат ограничувачот на вртежите да се активира пречесто.

Ограничувачот на вртежите ќе се активира кога ќе се постигне определено ниво на вртење. Моторот ќе излезе од основата за излезниот материјал. Кога ова ќе се случи, бургијата ќе престане да се движи.

## Електронска функција

За полесно работење, алатот е опремен со електронски функции.

- Контрола на постојаната брзина  
Функцијата за контрола на постојаната брзина обезбедува константна брзина на ротација, без оглед на преоптовареноста.

## Воздушен канал

### Само за HR3011FC, HR3012FC

**ВНИМАНИЕ:** Не ставајте го прстот во воздушниот канал и не ставајте предмети во него. Во спротивно, може да се повредите или алатот може да се оштети.

Воздушниот канал е поврзан со системот за собирање прав.

Кога се користи системот за собирање прав, прочитајте го делот за него.

- **Сл.9:** 1. Воздушен канал

## СОСТАВУВАЊЕ

**▲ ВНИМАНИЕ:** Пред да работите нешто на алатот, проверете дали е исклучен и откачен од струја.

## Странична дршка (помошна дршка)

**▲ ВНИМАНИЕ:** Секогаш користете ја страничната дршка за да обезбедите безбедна работа.

**▲ ВНИМАНИЕ:** По монтирањето или прилагодувањето на страничниот држач, проверете дали тој е цврсто затегнат.

За да го монтирате страничниот држач, следете ги чекорите подолу.

1. Олабавете ја рачната завртка на страничниот држач.

► **Сл.10:** 1. Рачна завртка

2. Прикачете го страничниот држач додека ја притискате рачната завртка, така што жлебовите на држачот ќе се совпаднат со издадените делови на резервоарот на алатот.

► **Сл.11:** 1. Рачна завртка

3. Зацврстете ја рачната завртка за да се прицврсти држачот. Држачот може да се прицврсти на саканиот агол.

## Подмачкување

Премачкајте го крајот на оската на бургијата претходно со мало количество на средство за подмачкување (околу 0,5 - 1 гр.).

Подмачкувањето на главата на дупчалката обезбедува беспрекорно работење и подолг период на сервисирање.

## Поставување или отстранување бургија

Исчистете го крајот на оската на бургијата и нанесете средство за подмачкување пред монтирањето на бургијата.

► **Сл.12:** 1. Крај на оска 2. Подмачкување

Вметнете ја бургијата во алатот. Вртете ја бургијата и туркајте ја навнатре додека не се блокира.

По монтирањето на бургијата, секогаш проверувајте дали е безбедно прицврстена со тоа што ќе се обидете да ја извлечете.

► **Сл.13:** 1. Бургија


За да ја отстраните бургијата, повлечете го штитникот за главата на дупчалката докрај и извлечете ја бургијата.

► **Сл.14:** 1. Бургија 2. Штитник за клинот

## Агол на длетото (при делкање, делење или демолирање)

Длетото може да се прицврсти на саканиот агол. За промена на аголот на длетото, свртете го копчето за менување на режимот на активност на симболот О. Свртете го длетото на саканиот агол.

► **Сл.15:** 1. Копче за промена на работниот режим

Свртете го копчето за менување на режимот на активност на симболот . Потоа, проверете дали длетото е прицврстено во место со тоа што ќе го свртите малку.

## Мерач на длабочина

Мерачот на длабочина е погоден за дупчење отвори со еднолична длабочина.

Притиснете го и задржете го копчето за блокирање, а потоа вметнете го мерачот на длабочина во шестаголната дупка. Уверете се дека назабената страна на мерачот на длабочина е свртена кон ознаката.

► **Сл.16:** 1. Мерач на длабочина 2. Копче за блокирање 3. Ознака 4. Назабена страна

Нагодете го мерачот на длабочина со поместување напред-назад додека го држите притиснато копчето за блокирање. По нагдувањето, отпуштете го копчето за блокирање за да го блокирате мерачот на длабочина.

**НАПОМЕНА:** Осигурете се дека мерачот на длабочина не го допира главното тело на алатот кога се прикачува на него.

## Чаша за прав

### Опционален додаток

Користете ја чашата за прав за да не паѓа прав врз алатот и врз вас кога дупчите на висина над главата. Прицврстете ја чашата за прав за бургијата како што е покажано на сликата. Чашата за прав може да се прикачи на бургии со следниве големини.

Модел	Дијаметар на бургија
Чаша за прав 5	6 мм - 14,5 мм
Чаша за прав 9	12 мм - 16 мм


► **Сл.17:** 1. Чаша за прав


## Комплет со чаша за прав

### Опционален додаток

## За моделите HR3011FC, HR3001C

**ЗАБЕЛЕШКА:** Кога се користи комплетот со чаша за прав во HR3011FC, HR3001C, исто така е потребен и разделник.

Пред да го монтирате комплетот со чаша за прав, ако на алатот е поставена бургија, извадете ја. Прикачете го сепараторот на комплетот со чаша за прав. Симболот  на чашата за прав е порамнет со жлебот на сепараторот.

► **Сл.18:** 1. Сепаратор 2. Симбол  3. Жлеб

Монтирајте го комплетот со чаша за прав со сепараторот на алатот, така што симболот  $\Delta$  на чашата за прав да е порамнет со жлебот во алатот.

► **Сл.19:** 1. Симбол  $\Delta$  2. Жлеб

За отстранување на комплетот со чаша за прав, отстранете ја главата додека го повлекувате штитникот за главата на дупчалката во насоката на стрелката.

► **Сл.20:** 1. Бургија 2. Штитник за глава на дупчалката

Држете го долниот дел на чашата за прав и извлечете го.

► **Сл.21**

## За моделот HR3012FC

Пред да го монтирате комплетот со чаша за прав, ако на алатот е поставена бургија, извадете ја. Монтирајте го комплетот со чаша за прав на алатот, така што симболот  $\Delta$  на чашата за прав да е порамнет со жлебот во алатот.

► **Сл.22:** 1. Симбол  $\Delta$  2. Жлеб

За отстранување на комплетот со чаша за прав, отстранете ја главата додека го повлекувате штитникот за главата на дупчалката во насоката на стрелката.

► **Сл.23:** 1. Бургија 2. Штитник за глава на дупчалката

Држете го долниот дел на чашата за прав и извлечете го.

► **Сл.24**

**НАПОМЕНА:** Ако поврзете правосмукалка на комплетот со чаша за прав, извадете ја чашата за прав пред да ја поврзете правосмукалната.

► **Сл.25:** 1. Капаче за прав

**НАПОМЕНА:** Ако капачето се откачи од комплетот со чаша за прав, прикачете го со испечатената страна нагоре, така што жлебот на капачето да се вклопува со внатрешната периферија на прикачувачот.

► **Сл.26**

## Закачалка на алатот

*Опционален додаток*

**▲ПРЕДУПРЕДУВАЊЕ:** Не користете оштетени закачалка на алатот и шраф.

**▲ПРЕДУПРЕДУВАЊЕ:** Користете го обезбедениот шраф само со закачалката на алатот.

**▲ПРЕДУПРЕДУВАЊЕ:** Пред употребата на закачалката на алатот, проверете дали има оштетувања, пукнатини или деформации и проверете дали шрафот е затегнат.

**▲ВНИМАНИЕ:** Монтирајте ја или отстранувајте ја закачалката на алатот на стабилна маса или површина.

Закачалката на алатот е наменета за поврзување на јажето (лентата за прицврстување). За да ја монтирате закачалката на алатот, следете ги чекорите подолу.

1. Исклучете го приклучокот од изворот на струја.

2. Вметнете ги издадените делови од закачалката на алатот во дупките на алатот.

3. Цврсто стегнете ги шрафовите.

► **Сл.27:** 1. Закачалка на алатот 2. Отвор 3. Издаден дел 4. Шраф

## СИСТЕМ ЗА СОБИРАЊЕ ПРАВ

*Само за HR3011FC, HR3012FC*

*Опционален додаток*

Системот за собирање прав е дизајниран да собира прав ефикасно кога се дупчи во бетон.

► **Сл.28:** 1. Систем за собирање прав

**▲ВНИМАНИЕ:** Пред да работите нешто на алатот, проверете дали е исклучен и откачен од струја. Доколку не го сторите тоа, може да дојде до телесна повреда заради случајно вклучување.

**▲ВНИМАНИЕ:** Секогаш прикачувајте го филтерот на системот за собирање прав. Во спротивно ќе дојде до вдишување прав.

**▲ВНИМАНИЕ:** Проверете дали филтерот е оштетен. Во спротивно може да дојде до вдишување прав.

**ЗАБЕЛЕШКА:** Не користете го системот за собирање прав кога дупчите со јадро или длетуваат. Системот за собирање прав е наменет само за дупчење.

**ЗАБЕЛЕШКА:** Не користете го системот за собирање прав за метал или дрво. Системот за собирање прав е наменет само за бетон.

**ЗАБЕЛЕШКА:** Не користете го системот за собирање прав за дупчење во влажен бетон или за употреба во влажна средина. Во спротивно може да дојде до дефект.

**НАПОМЕНА:** Системот за собирање прав го собира правот што се создал во значителна количина, но целокупниот прав не може да се собере.

## Монтирање или отстранување на системот за собирање прав

**ЗАБЕЛЕШКА:** Пред да го монтирате системот за собирање прав, исчистете ги споевите на алатот и системот за собирање прав.

Туѓи материји на споевите може да претставуваат проблем при монтирање на системот за собирање прав. Особено туѓите материји на електричниот интерфејс можат да предизвикаат дефект.

Ако остане прав на воздушниот канал, тогаш тој ќе навлезе во алатот и ќе предизвика заглавување на протокот на воздух или кршење на алатот.

Закачете го системот за собирање прав на алатот, а потоа вметнете го целосно, додека не се блокира во место при што ќе се слушне мало двојно кликнување.

Потоа, проверете дали системот за собирање прав е цврсто монтиран.

► **Сл.29:** 1. Воздушен канал

При отстранување на системот за собирање прав, притиснете на копчето за деблокирање.

► **Сл.30:** 1. Копче за деблокирање

## Нагодување на положбата на смукалката на системот за собирање прав

**ВНИМАНИЕ:** Не насочувајте ја смукалката кон вас или кон други лица при нејзиното пуштање со притискање на копчето за нагодување на насочувачот.

Турнете го насочувачот додека го туркате копчето за нагодување на насочувачот, а потоа пуштете го копчето за нагодување на насочувачот на саканата положба.

► **Сл.31:** 1. Насочувач 2. Копче за нагодување на насочувачот

## Нагодување на длабочината на дупчењето на системот за собирање прав

Лизгајте го копчето за нагодување на длабочината до саканата положба додека го туркате.

Растојанието (А) е длабочината на дупчењето.

► **Сл.32:** 1. Копче за нагодување на длабочината

## Тресење на прашината од филтерот

**ВНИМАНИЕ:** Не вртете го бирачот на кутијата за прав додека таа е отстранета од системот за собирање прав. Тоа може да предизвика вдишување прав.

**ВНИМАНИЕ:** Секогаш исклучувајте го алатот кога го вртите бирачот на кутијата за прав. Ако го вртите бирачот додека алатот работи, може да дојде до загуба на контролата врз алатот.

Со тресење на прашината од филтерот во кутијата за прав, може да ја одржите ефикасноста на вакуумот и да ја намалите зачестеноста на фрлање на филтерот.

Свртете го бирачот на кутијата за прав три пати по секое собирање 50.000 мм<sup>3</sup> прав или кога сметате дека работата на правосмукалката се намалила.

**НАПОМЕНА:** 50.000 мм<sup>3</sup> прав се еднакви на дупчење 10 дупки со  $\varnothing 10$  мм и длабочина од 14 мм (2 дупки со  $\varnothing 65^{\circ}$  и длабочина од 3/8").

► **Сл.33:** 1. Кутија за прав 2. Бирач

## Фрлање на правот во отпад

**ВНИМАНИЕ:** Носете маска за прав кога го фрлате правот во отпад.

**ВНИМАНИЕ:** Редовно празнете ја кутијата за прав пред таа да се наполни. Во спротивно, може да се намалат перформансите на собирачот на прав, а потоа да се предизвика вдишување на правот.

**ВНИМАНИЕ:** Како насока, заменете го филтерот со нов по приближно 200 пати полнење со прав. Затнати филтер ги намалува перформансите на собирачот на прав, а потоа предизвикува вдишување на правот.

**ЗАБЕЛЕШКА:** Кога ќе го чистите филтерот, нежно допрете ја кутијата за филтер со рака за да го отстраните правот. Не допирајте го филтерот директно, не допирајте го со четка или слично, ниту, пак, дувајте компримиран воздух на филтерот. Тоа може да го оштети филтерот.

1. Отстранете ја кутијата за прав додека го притискате надолу лостот на кутијата за прав.

► **Сл.34:** 1. Лост

2. Отворете го капакот од кутијата за прав.

► **Сл.35:** 1. Капак

3. Фрлете го правот во отпад и потоа исчистете го филтерот.

► **Сл.36**

## Замена на филтерот од кутијата за прав

1. Отстранете ја кутијата за прав додека го притискате надолу лостот на кутијата за прав. (Погледнете го делот за фрлање на правот во отпад.)

2. Отворете го капакот на филтерот од кутијата за прав.

► **Сл.37:** 1. Капак на филтерот

3. Отстранете го филтерот од кутијата на филтерот.

► **Сл.38:** 1. Филтер 2. Кутија на филтерот

4. Прикачете нов филтер на кутијата на филтерот, а потоа прикачете го капакот на филтерот.

5. Затворете го капакот од кутијата за прав и потоа прикачете ја кутијата за прав на системот за собирање прав.

## Менување на заптивното капаче

Доколку заптивното капаче е излижано, перформансите на собирачот на прав се намалуваат. Заменете го ако е излижано. Отстранете го заптивното капаче и потоа прикачете ново со издадениот дел свртен нагоре.

► **Сл.39:** 1. Издаден дел 2. Запивно капаче

## РАБОТЕЊЕ

**▲ВНИМАНИЕ:** Секогаш користете ја страничната дршка (помошната рачка) и цврсто држете го алатот за страничната дршка и за дршката на прекинувачот во текот на работењето.

**▲ВНИМАНИЕ:** Секогаш проверувајте дали работниот материјал е зацврстен пред да почнете да работите.


**▲ВНИМАНИЕ:** Не повлекувајте го насила алатот дури и ако се заглави бургијата. Губењето контрола може да предизвика повреда.

**▲ВНИМАНИЕ:** Само за HR3011FC, HR3012FC  
Пред да се користи системот за собирање прав со алатот, прочитајте го делот за него.

► Сл.40

## Ударно дупчење


**▲ВНИМАНИЕ:** Доаѓа до голема и ненадејна вртлива сила што делува врз алатот/бургијата кога ќе дојде до продирање на дупката, кога дупката ќе се затне од распрсканите честици или кога ќе удри во армирани шипки вградени во бетонот. **Секогаш користете ја страничната дршка (помошната рачка) и цврсто држете го алатот за страничната дршка и за дршката на прекинувачот во текот на работењето.** Во спротивно, може да дојде до губење контрола врз алатот и потенцијална тешка повреда.

Поставете го копчето за менување на режимот на активноста на симболот . Ставете ја бургијата од дупчалката на саканата локација за дупката, потоа извлечете го активаторот на прекинувачот. Не форсирајте го алатот. Ако користите благ притисок, ќе добиете најдобри резултати. Одржувајте го алатот во позиција и спречувајте да се лизне настрана од дупката.

Не применувајте поголем притисок кога дупката ќе се затне со делканици или честици. Наместо тоа, работете со алатот во празен од, а потоа делумно извадете ја бургијата од дупката. Повторувајќи го ова неколкупати, дупката ќе се исчисти и може да се продолжи со нормално дупчење.

**НАПОМЕНА:** Бургијата може да почне чудно да ротира кога алатот работи беа оптоварување. Алатот автоматски се центрира во текот на работењето. Ова не влијае врз прецизноста на дупчењето.

## Делкање/ делење/ демолирање

Поставете го копчето за менување на режимот на активноста на симболот . Држете го алатот цврсто со двете раце. Вклучете го алатот и лесно притиснете го за да не скока наоколу неконтролирано. Ако многу силно го притиснете алатот, тоа нема да ја зголеми ефикасноста.

► Сл.41

## Дупчење во дрво или метал

**▲ВНИМАНИЕ:** Цврсто држете го алатот и внимателно напредувајте кога бургијата за дупчење почнува да навлегува во материјалот. Доаѓа до јака сила која делува врз алатот/ бургијата за дупчење при дупнувањето на дупката.


**▲ВНИМАНИЕ:** Заглавената бургија за дупчење може лесно да се извади со поставување на прекинувачот за обратна акција на обратна ротација за да се повлече назад. Сепак, алатот може да отскокне наназад нагло ако не го држите доволно цврсто.

**▲ВНИМАНИЕ:** Секогаш прицврстувајте ги работните материјали на менгеме или сличен уред за прицврстување.

**ЗАБЕЛЕШКА:** Никогаш не користете „ротирање со ковање“ кога клинот за сопирање на дупчалката е монтиран на алатот. Клинот за сопирање на дупчалката може да се оштети.

Исто така, клинот за сопирање на дупчалката ќе излезе кога алатот ротира во обратна насока.

**ЗАБЕЛЕШКА:** Притискањето силно врз алатот нема да го забрза дупчењето. Всушност, овој прекумерен притисок само ќе го оштети врвот на бургијата за дупчење, ќе ги намали перформансите на алатот и ќе го скрати неговиот работен век.

Поставете го копчето за промена на работниот режим на симболот .

## За моделите HR3011FC, HR3001C

### Опционален додаток

Прикачете го адаптерот за главата на самостезната глава на дупчалката на која може да се монтира шраф со големина од 1/2"-20, а потоа монтирајте ги на алатот. Кога ја монтирате, погледнете го делот „Поставување или отстранување бургија“.

► Сл.42: 1. Самостезна глава на дупчалка  
2. Адаптер за главата

## За моделот HR3012FC

Користете го клинот за сопирање за дупчалката за брза промена како стандардна опрема. Кога го монтирате, погледнете го делот „Промена на клинот за брза промена за SDS-plus“.


Држете го прстенот и свртете го ракавот налево за да ги отворите стегите на клинот. Поставете го втичникот во стезната глава колку што може да оди. Држете го цврсто прстенот и свртете го ракавот надесно за да го стегнете клинот.

► Сл.43: 1. Ракав 2. Прстен

За да ја извадите бургијата, држете го прстенот и свртете го ракавот налево.

## Дупчење со дијамантска бургија

**ЗАБЕЛЕШКА:** Ако дупчите со бургии со дијамантско јадро во режим „ротирање со ковање“, бургијата со дијамантско јадро може да се оштети.

Кога дупчите со бургии со дијамантско јадро, секогаш поставувајте го колчето за промена на работниот режим во положбата  за користење на режимот „само ротација“.

## Издувна пумпа

### Опционален додаток

По дупчењето на дупката, употребете ја издвнута пумпа за да ја исчистите прашина од дупката.

► Сл.44

## Користење на комплетот со чаша за прав

### Опционален додаток

Кога работите со алатот, поставете го комплетот со чаша за прав кон таванот.

► Сл.45

**ЗАБЕЛЕШКА:** Не користете го комплетот со чаша за прав кога дупчите во метал или слично. Тоа може да го оштети комплетот со чаша за прав поради топлината што се произведува од ситната метална прашина или слично.

**ЗАБЕЛЕШКА:** Не монтирајте го, ниту отстранувајте го комплетот со чаша за прав додека бургијата е поставена во алатот. Тоа може да го оштети комплетот со чаша за прав и може да предизвика излегување на правот.

## Поврзување на јажето (лентата за прицврстување) со закачалката на алатот

**▲Посебни безбедносни предупредувања за користење на висина**  
Прочитајте ги сите безбедносни предупредувања и упатства. Ако не се почитуваат предупредувањата и упатствата, може да дојде до сериозни повреди.

1. Секогаш држете го алатот прицврстен кога работите „на висина“. Максимална должина на јажето е 2 м.  
Максималната дозволена висина на пад на јажето (лентата за прицврстување) не смее да надмине 2 м.
2. Користете само јажиња што се соодветни за овој тип алат и проценети за најмалку 7,5 кг.
3. Не зацврстувајте го јажето од алатот со ниту еден дел на телото или на подвижните компоненти. Зацврстете го јажето од алатот на цврста структура што може да ги издржи силите на паднатиот алат.

4. Пред употреба, проверете дали јажето е правилно затегнато на секој крај.
  5. Пред секоја употреба, проверете дали алатот има оштетувања и дали функционира правилно (вклучувајќи ги платното и шевовите). Не користете ако е оштетен или ако не функционира правилно.
  6. Не виткајте ги јажињата ниту дозволувајте да дојдат во допир со остри или груби рабови.
  7. Зацврстете го другиот крај од јажето надвор од работниот простор, така што алатот што паѓа ќе биде добро прицврстен.
  8. Прикачете го јажето, така што алатот ќе се оддалечи од операторот ако падне. Паднатите алати ќе се нишаат на јажето, што може да предизвика повреда или губење на рамнотежата.
  9. Не користете го во близина на подвижни делови или машинерија што работи. Во спротивно, тоа може да резултира со опасност од кршење или заплеткување.
  10. Не носете го алатот со додадениот уред или јажето.
  11. Пренесувајте го алатот само со рацете додека држите соодветна рамнотежа.
  12. Не прикачувајте ги јажињата на алатот на начин што ќе ги спречи прекинувачите или блокирањата на прекинувачот (доколку се испорачани) да работат правилно.
  13. Избегнувајте заглавување во јажето.
  14. Држете го јажето настрана од областа каде што се дупчи со алатот.
  15. Користете карабинери со повеќе дејства и со тип шrafoви со затворање. Не користете карабинери со едно дејство со клипови со кружини.
  16. Во случај кога алатот ќе падне, тој мора да се означи и да се отстрани од работа и треба да го провери фабричкиот или овластениот сервисен центар на Makita.
- Сл.46: 1. Закачалка на алатот 2. Јаже (лента за прицврстување)

## ОДРЖУВАЊЕ

**▲ВНИМАНИЕ:** Пред секоја проверка или одржување, проверете дали алатот е исклучен и откачен од струја.

**ЗАБЕЛЕШКА:** За чистење, не користете нафта, бензин, разредувач, алкохол или слично. Тие средства ја вадат бојата и може да предизвикаат деформации или пукнатини.

За да се одржи БЕЗБЕДНОСТА и СИГУРНОСТА на производот, поправките, одржувањата или дотерувањата треба да се вршат во овластени сервисни или фабрички центри на Makita, секогаш со резервни делови од Makita.

# ОПЦИОНАЛЕН ПРИБОР

**⚠ ВНИМАНИЕ:** Овој прибор или додатоци се препорачуваат за користење со алатот од Makita дефиниран во упатството. Со користење друг прибор или додатоци може да се изложите на ризик од телесни повреди. Користете ги приборот и додатоците само за нивната назначена намена.

Ако ви треба помош за повеќе детали за приборот, прашајте во локалниот сервисен центар на Makita.

- Бургии со врв од карбид (бургии со врв од карбид SDS-Plus)
- Цевкаста бургија
- Бургија со остар врв
- Дијамантска цевкаста бургија
- Ладно длето
- Длето за делење
- Длето за жлебови
- Адаптер за главата
- Клин за сопирање за дупчалката без клуч
- Средство за подмачкување на бургијата
- Мерач на длабочина
- Издувна пумпа
- Чаша за прав
- Комплет со чаша за прав
- Разделник (за HR3011FC, HR3001C)
- Систем за собирање прав (за HR3011FC, HR3012FC)
- Заштитни очила
- Закачалка на алатот

**НАПОМЕНА:** Некои ставки на листата може да се вклучени со алатот како стандарден прибор. Тие може да се разликуваат од држава до држава.

## ТЕХНИЧКИ ПОДАЦИ

Модел:		HR3011FC	HR3012FC	HR3001C
Капацитети	Бетон	30 мм		
	Основна бургија	80 мм		
	Бургија са дијамантским језгром (суви тип)	80 мм		
	Челик	13 мм		
	Дрво	32 мм		
Брзина без оптерећења		0 – 840 мин <sup>-1</sup>		
Број удара у минуту		0 – 4.500 мин <sup>-1</sup>		
Укупна дужина		369 мм	386 мм	369 мм
Нето тежина		4,4–4,8 кг	4,5 – 4,8 кг	4,1–4,6 кг
Заштитна класа		□/II		

### Опциони додатни прибор

Модел:	DX10 (За модел HR3011FC)	DX11 (За модел HR3012FC)
Примењиви предмет обраде и режим рада	само за бушење бетона (није погодно за метал или дрво и бушење са језгром или клесање)	
Снага усисавања	0,35 л/мин	
Радни такт	До 190 мм	
Одговарајућа бургија	До 265 мм	
Нето тежина	1,2 кг	

- Због нашег непрестаног истраживања и развоја задржавамо право измена наведених спецификација без претходне најаве.
- Спецификације могу да се разликују у различитим земљама.
- Тежина може да се разликује у зависности од наставака. Најлакша и најтежа комбинација, према процедури ЕПТА 01/2014, приказане су у табели.

### Намена

Алат је намењен за ударно бушење цигле, бетона и камена, као и за штемовање.

Алат је такође погодан за бушење без удара дрвета, метала, керамике и пластике.

### Мрежно напајање

Алат сме да се прикључи само на монофазни извор мрежног наизменичног напајања који одговара подацима са натписне плочице. Алати су двоструко заштитно изоловани, па могу да се прикључе и на мрежне утичнице без уземљења.

### Бука

Типичан А-пондерисани ниво буке одређен је према стандарду EN60745-2-6:

#### Модел HR3011FC

Ниво звучног притиска ( $L_{pA}$ ): 94 dB (A)

Ниво звучне снаге ( $L_{WA}$ ): 105 dB (A)

Несигурност (K): 3 dB (A)

#### Модел HR3012FC

Ниво звучног притиска ( $L_{pA}$ ): 93 dB (A)

Ниво звучне снаге ( $L_{WA}$ ): 104 dB (A)

Несигурност (K): 3 dB (A)

#### Модел HR3001C

Ниво звучног притиска ( $L_{pA}$ ): 94 dB (A)

Ниво звучне снаге ( $L_{WA}$ ): 105 dB (A)

Несигурност (K): 3 dB (A)

#### Модел HR3011FC са DX10

Ниво звучног притиска ( $L_{pA}$ ): 96 dB (A)

Ниво звучне снаге ( $L_{WA}$ ): 107 dB (A)

Несигурност (K): 3 dB (A)

#### Модел HR3012FC са DX11

Ниво звучног притиска ( $L_{pA}$ ): 94 dB (A)

Ниво звучне снаге ( $L_{WA}$ ): 105 dB (A)

Несигурност (K): 3 dB (A)

**НАПОМЕНА:** Декларисане вредности емисије буке су измерене према стандардизованом мерном поступку и могу се користити за упоређивање алата.

**НАПОМЕНА:** Декларисана вредност емисије буке се такође може користити за прелиминарну процену изложености.



**▲УПОЗОРЕЊЕ:** Носите заштитне слушалице.

**▲УПОЗОРЕЊЕ:** Емисије буке током стварне примене електричног алата могу се разликовати од декларисане вредности у зависности од начина на који се користи алат, а посебно која врста предмета се обрађује.

**▲УПОЗОРЕЊЕ:** Уверите се да сте идентификовали безбедносне мере за заштиту руковаоца које су засноване на процени изложености у стварним условима употребе (узимајући у обзир све делове радног циклуса, као што је време рада уређаја, али и време када је алат искључен и када ради у празном ходу).

## Вибрације

Табела у наставку приказује укупну вредност вибрација (векторски збир по три осе), одређену према одговарајућем стандарду.

### Модел HR3011FC

Режим рада	Емисија вибрација	Несигурност (К)	Примењиви стандард
Ударно бушење бетона ( $a_{h,hd}$ )	9,5 $m/c^2$	1,5 $m/c^2$	EN60745-2-6
Ударно бушење бетона уз DX10 ( $a_{h,hd}$ )	9,5 $m/c^2$	1,5 $m/c^2$	EN60745-2-6
Функција клесања са бочним рукохватом ( $a_{h,Chex}$ )	6,0 $m/c^2$	1,5 $m/c^2$	EN60745-2-6
Бушење метала ( $a_{h,d}$ )	5,5 $m/c^2$	1,5 $m/c^2$	EN62841-2-1

### Модел HR3012FC

Режим рада	Емисија вибрација	Несигурност (К)	Примењиви стандард
Ударно бушење бетона ( $a_{h,hd}$ )	9,5 $m/c^2$	1,5 $m/c^2$	EN60745-2-6
Ударно бушење бетона уз DX11 ( $a_{h,hd}$ )	8,0 $m/c^2$	1,5 $m/c^2$	EN60745-2-6
Функција клесања са бочним рукохватом ( $a_{h,Chex}$ )	5,5 $m/c^2$	1,5 $m/c^2$	EN60745-2-6
Бушење метала ( $a_{h,d}$ )	6,0 $m/c^2$	1,5 $m/c^2$	EN62841-2-1

### Модел HR3001C

Режим рада	Емисија вибрација	Несигурност (К)	Примењиви стандард
Ударно бушење бетона ( $a_{h,hd}$ )	13,5 $m/c^2$	1,5 $m/c^2$	EN60745-2-6
Функција клесања са бочним рукохватом ( $a_{h,Chex}$ )	11,0 $m/c^2$	1,5 $m/c^2$	EN60745-2-6
Бушење метала ( $a_{h,d}$ )	6,0 $m/c^2$	1,5 $m/c^2$	EN62841-2-1

**НАПОМЕНА:** Декларисане укупне вредности вибрација су измерене према стандардизованом мерном поступку и могу се користити за упоређивање алата.

**НАПОМЕНА:** Декларисане укупне вредности вибрација се такође могу користити за прелиминарну процену изложености.

**▲УПОЗОРЕЊЕ:** Вредност емисије вибрација током стварне примене електричног алата може се разликовати од декларисане вредности у зависности од начина на који се користи алат, а посебно која врста предмета се обрађује.

**▲УПОЗОРЕЊЕ:** Уверите се да сте идентификовали безбедносне мере за заштиту руковаоца које су засноване на процени изложености у стварним условима употребе (узимајући у обзир све делове радног циклуса, као што је време рада уређаја, али и време када је алат искључен и када ради у празном ходу).

## ЕЗ декларација о усаглашености

*Само за европске земље*

ЕЗ декларација о усаглашености део је Додатка А у овом приручнику са упутствима.

## БЕЗБЕДНОСНА УПОЗОРЕЊА

### Општа безбедносна упозорења за електричне алате

**▲УПОЗОРЕЊЕ:** Прочитајте сва безбедносна упозорења, упутства, илустрације и спецификације које су испоручене уз овај електрични алат. Непоштовање свих доле наведених безбедносних упутстава може изазвати електрични удар, пожар и/или озбиљну повреду.

### Сачувајте сва упозорења и упутства за будуће потребе.

Термин „електрични алат“ у упозорењима односи се на електрични алат који се напаја из електричне мреже (каблом) или батерије (без кабла).

### БЕЗБЕДНОСНА УПОЗОРЕЊА ЗА УДАРНЕ БУШИЛИЦЕ

1. Носите заштитне слушалице. Излагање буци може да доведе до губитка слуха.
2. Користите помоћне ручке ако су достављене са алатом. Губитак контроле може да доведе до телесних повреда.

3. Електрични алат држите за изоловане рукохвате када обављате радове при којима постоји могућност да резни прибор додирне скривене водове или пресече сопствени кабл. Резни прибор који додирне струјни кабл може да стави под напон изложене металне делове електричног алата и изложи руковаоца струјном удару.
4. Носите ојчану капу (заштитни шлем), заштитне наочаре и/или штитник за лице. Обичне наочаре за вид или сунце НИСУ заштитне наочаре. Препоручује се да носите и маску за прашину и рукавице са дебелим тапаирањем.
5. Уверите се да је бургија причвршћена на месту пре него што почнете са радом.
6. Под нормалним условима рада алат ће производити вибрације. Завртњи могу лако да се олабаве, узрокујући квар или несрећу. Пре рада пажљиво проверите да ли су завртњи добро причвршћени.
7. По хладном времену или ако алат није дуго коришћен, пустите алат да се угреје извесно време пре него што га пустите да ради под пуним оптерећењем. На тај начин ће се мазиво разрадити. Без одговарајућег загревања поступак ударног бушења је тежак.
8. Побрините се да увек имате чврст ослонац испод ногу. Уверите се да никога нема испод вас ако алат користите на високим местима.
9. Чврсто држите алат са обе руке.
10. Руке држите даље од покретних делова.
11. Немојте да остављате укључен алат. Алат укључите само када га држите рукама.
12. Немојте да усмеравате алат ка било коме док радите. Бургија би могла да излети и некога озбиљно повреди.
13. Бургију, делове близу бургије или предмет обраде немојте да додирујете одмах после завршетка рада јер могу да буду врло врући и можете да се опечете.
14. Неки материјали садрже хемикалије које могу да буду отровне. Будите опрезни да не би дошло до удисања прашине или контакта са кожом. Следите безбедносне податке добављача материјала.
15. Немојте дирати утикач мокрим рукама.

## САЧУВАЈТЕ ОВО УПУТСТВО.

**▲УПОЗОРЕЊЕ:** НЕМОЈТЕ себи да дозволите да занемарите строга безбедносна правила која се односе на овај производ услед чињенице да сте производ добро упознали и стекли рутину у руковању њиме (услед честог коришћења). **НЕНАМЕНСКА УПОТРЕБА** или непоштовање безбедносних правила наведених у овом упутству могу довести до тешких телесних повреда.

## ОПИС НАЧИНА ФУНКЦИОНИСАЊА

**▲ПАЖЊА:** Пре подешавања или провере функција алата увек проверите да ли је алат искључен и одвојен из електричне мреже.

### Функционисање прекидача

**▲ПАЖЊА:** Пре прикључивања алата на мрежу увек проверите да ли прекидач ради правилно и да ли се враћа у положај „OFF“ (искључивање) пошто га пустите.

Да бисте активирали алат, једноставно притисните окидач прекидача. Брзину алата повећавате повећавањем притиска на окидач прекидача. Отпустите окидач прекидача да бисте зауставили алат.

► **Слика1:** 1. Окидач прекидача

### Укључивање предње лампе

Само за моделе **HR3011FC, HR3012FC**

**▲ПАЖЊА:** Немојте да гледате у лампу ни директно у извор светлости.

Укључите лампу, повуците окидач прекидача. Отпустите окидач прекидача да бисте је искључили.

► **Слика2:** 1. Светло

**НАПОМЕНА:** Сувом крпом обришите прљавштину са сочива лампе. Пазите да не огребете сочиво лампе, јер тако можете смањити осветљеност.

### Рад прекидача за окретање

**▲ПАЖЊА:** Увек проверите смер обртања пре рада.

**▲ПАЖЊА:** Користите прекидач за окретање тек након што се алат потпуно заустави. Промена смера обртања пре заустављања алата може оштетити алат.

**ОБАВЕШТЕЊЕ:** Када мењате смер обртања, обавезно поставите прекидач за окретање у потпуности у страну А или страну Б. У супротном, када је окидач прекидача притиснут, мотор се можда неће ротирати или алат неће правилно радити.

Овај алат има прекидач за окретање који служи за промену смера обртања. Померите полуку прекидача за окретање у положај стране А за обртање у смеру казаљке на сату или у положај стране Б за обртање супротно у односу на смер казаљке на сату.

► **Слика3:** 1. Полука прекидача за окретање



## Замена брзо измењиве стезне главе за SDS-plus бургије

### Само за модел HR3012FC

Брзо измењива стезна глава за SDS-plus бургије може лако да се замени брзо измењивом стезном главом бушилице.




## Скидање брзо измењиве стезне главе за SDS-plus бургије

**ПАЖЊА:** Пре скидања брзо измењиве стезне главе за SDS-plus бургије обавезно скините бургију.

Ухватите поклопац брзо измењиве стезне главе за SDS-plus бургије и окрећите га у правцу стрелице док се прстен не помери из положаја  у положај . Вуците јако у правцу стрелице.

► **Слика4:** 1. Брзо измењива стезна глава за SDS-plus бургије 2. Поклопац 3. Прстен поклопца

## Постављање брзо измењиве стезне главе

Проверите да ли је прстен брзо измењиве стезне главе окренут у положај са ознаком . Ухватите поклопац брзо измењиве стезне главе и окрените прстен у положај са ознаком . Поставите брзо измењиву стезну главу на осовину алата. Ухватите поклопац брзо измењиве стезне главе и окрећите прстен поклопца ка положају  док не чујете да је легао на место.


► **Слика5:** 1. Брзо измењива стезна глава 2. Вретено 3. Прстен поклопца 4. Поклопац

## Одабир режима рада

**ОБАВЕШТЕЊЕ:** Немојте да окрећете дугме за промену режима кад алат ради. Алат може бити оштећен.

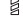
**ОБАВЕШТЕЊЕ:** Да бисте избегли брзо хабање механизма за промену режима, пазите да дугме за промену режима увек буде позитивно постављено у један од три положаја режима рада.

## Ротација са бушењем

За бушење у бетон, грађевине итд. окрените дугме за промену режима у положај са ознаком . Користите бургију са врхом од волфрам-карбида (опциони прибор).

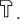
► **Слика6:** 1. Ротација са бушењем 2. Дугме за промену режима

## Само ротација

За бушење у дрво, метал или пластичне материјале, окрените дугме за промену режима у положај са ознаком . Користите спиралну бургију или бургију за дрво.

► **Слика7:** 1. Само ротација

## Само бушење

За обраду длетом, клесање или рушење окрените дугме за промену режима у положај са ознаком . Користите пробојац, плоснато длето, длето за клесање итд.

► **Слика8:** 1. Само бушење

## Лимитатор обртног момента

**ОБАВЕШТЕЊЕ:** Чим се активира лимитатор обртног момента, искључите алат. Тако ћете спречити превремено хабање алата.

**ОБАВЕШТЕЊЕ:** Бургије као што су кружне тестере за рупе које лако могу да се укваште или заглаве у рупи нису погодне за овај алат. Ово изазива пречесто активирање лимитатора обртног момента.

Лимитатор обртног момента се активира кад се достигне одређени ниво обртног момента. Мотор ће се одвојити од излазне осовине. Кад дође до тога, бургија ће престати да се окреће.

## Електронска функција

Алат је опремљен електронским функцијама за једноставно управљање.

- Регулатор константне брзине  
Функција управљања брзином омогућава константну брзину ротације без обзира на оптерећење.

## Отвор за ваздух

Само за моделе HR3011FC, HR3012FC

**ПАЖЊА:** Не стављајте прсте ни било какве друге предмете у отвор за ваздух. У супротном се може повредити или може доћи до оштећења алата.

Отвор за ваздух је повезан са системом за прикупљање прашине. Када користите систем за прикупљање прашине, прочитајте одељак о систему за прикупљање прашине.

► **Слика9:** 1. Отвор за ваздух

## СКЛАПАЊЕ

**ПАЖЊА:** Пре извођења радова на алату увек проверите да ли је искључен и да ли је утикач извучен из утичнице.

## Бочни рукохват (помоћна дршка)

**ПАЖЊА:** Увек користите бочни рукохват да бисте обезбедили безбедан рад.

**ПАЖЊА:** Након што инсталирате или подесите бочни рукохват, проверите да ли је он безбедно фиксиран.

Да бисте монтирали бочни рукохват, пратите кораке у наставку.

1. Олабавите лептир завртањ на бочном рукохвату.

► **Слика10:** 1. Лептир завртањ

2. Поставите бочни рукохват док притискате лептир завртањ тако да жлебови на рукохвату улегну у испупчења на буренцету алата.

► **Слика11:** 1. Лептир завртањ

3. Затегните лептир завртње да бисте причврстили бочни рукохват. Рукохват може да се причврсти под жељеним углом.

## Мазиво

Премажите крај бургије са краком пре коришћења малом количином мазива (око 0,5–1 г). Подмазивање стезне главе омогућава бољи рад и дуже периоде употребе између сервиса.

## Постављање или скидање бургије

Очистите крај бургије са краком и нанесите мазиво пре него што поставите бургију.

► **Слика12:** 1. Крај са краком 2. Мазиво

Поставите бургију у алат. Окрените бургију и гурајте унутра док не шкљоцне. Након што поставите бургију, увек проверите да ли је бургија добро причвршћена тако што ћете покушати да је извучете.

► **Слика13:** 1. Бургија


Да бисте извадили бургију, повуците поклопац стезне главе надоле до краја и извучите бургију.

► **Слика14:** 1. Бургија 2. Поклопац стезне главе

## Угао длета (приликом обраде длетом, клесања или рушења)

Длето може да се причврсти под жељеним углом. Да бисте променили угао длета, окрените дугме за промену режима у положај О. Окрените длето на жељени угао.

► **Слика15:** 1. Дугме за промену режима

Окрените дугме за промену режима у положај са ознаком . Затим проверите да ли је длето чврсто на месту тако што ћете благо да га окренете.

## Граничник дубине

Граничник дубине је погодан за бушење рупа подједнаке дубине.

Притисните и задржите дугме за закључавање, а затим уметните граничник дубине у шестоугаони отвор. Уверите се да је назубљена страна граничника дубине окренута према ознакама.

► **Слика16:** 1. Граничник дубине 2. Дугме за закључавање 3. Ознака 4. Назубљена страна

Подесите граничник дубине тако што ћете га померати унапред и уназад док притискате дугме за закључавање. Након подешавања, отпустите дугме за закључавање да бисте закључали граничник дубине.

**НАПОМЕНА:** Уверите се да граничник дубине не додирује главно тело алата приликом причвршћивања.

## Посуда за прашину

### Опциони додатни прибор

Користите посуду за прашину да бисте спречили да прашина пада преко алата и вас приликом бушења изнад висине главе. Закачите посуду за прашину на бургију као што је приказано на слици. Величина бургија на које може да се прикачи посуду за прашину је следећа.

Модел	Пречник бургије
Посуда за прашину 5	6 мм – 14,5 мм
Посуда за прашину 9	12 мм – 16 мм


► **Слика17:** 1. Посуда за прашину

## Комплет посуде за прашину


### Опциони додатни прибор

### За моделе HR3011FC, HR3001C

**ОБАВЕШТЕЊЕ:** Када користите комплет посуде за прашину за моделе HR3011FC, HR3001C, потребан је и разделник.

Пре постављања комплекта посуде за прашину, скините бургију са алата ако је постављена. Поставите разделник на комплет посуде за прашину.  симбол на посуди за прашину је у равни са жлебом на разделнику.

► **Слика18:** 1. Разделник 2.  симбол 3. Жлеб

Поставите комплет посуде за прашину са разделником на алат тако да симбол  на посуди за прашину буде поравнат са жлебом на алату.

► **Слика19:** 1.  симбол 2. Жлеб


Да бисте скинули комплет посуде за прашину, скините бургију док вучете поклопац стезне главе у смеру стрелице.

► **Слика20:** 1. Бургија 2. Поклопац стезне главе

Држите корен посуде за прашину и извучите је.

► **Слика21**

### За модел HR3012FC

Пре постављања комплекта посуде за прашину, скините бургију са алата ако је постављена. Поставите комплет посуде за прашину на алат тако да симбол  на посуди за прашину буде поравнат са жлебом на алату.

► **Слика22:** 1.  симбол 2. Жлеб

Да бисте скинули комплет посуде за прашину, скините бургију док вучете поклопац стезне главе у смеру стрелице.

► **Слика23:** 1. Бургија 2. Поклопац стезне главе

Држите корен посуде за прашину и извучите је.

► **Слика24**

**НАПОМЕНА:** Ако прикључите усисивач на комплет посуде за прашину, скините поклопац за прашину пре прикључивања.

► **Слика25:** 1. Поклопац за прашину

**НАПОМЕНА:** Ако поклопац падне са посуде за прашину, причврстите га са одштампаном страном нагоре тако да жлебови на поклопцу улегну у унутрашњи обод наставка.

► **Слика26**

## Вешалица за алат

### Опциони додатни прибор

**▲УПОЗОРЕЊЕ:** Немојте да користите вешалицу за алат и завртањ ако су оштећени.

**▲УПОЗОРЕЊЕ:** Користите искључиво завртањ који се доставља уз вешалицу за алат.

**▲УПОЗОРЕЊЕ:** Пре коришћења вешалице за алат, проверите има ли оштећења, пукотина или деформација и уверите се да је завртањ притегнут.

**▲ПАЖЊА:** Вешалицу за алат постављајте и уклањајте на стабилном столу или површини.

Вешалица за алат је предвиђена за повезивање вrpcе (траке за везивање). Да бисте монтирали вешалицу за алат, пратите кораке у наставку.

1. Искључите утикач из извора напајања.
  2. Уметните избочине на вешалици за алат у отворе на алату.
  3. Чврсто притегните завртње.
- **Слика27:** 1. Вешалица за алат 2. Отвор 3. Избочина 4. Завртањ

## СИСТЕМ ЗА ПРИКУПЉАЊЕ ПРАШИНЕ

Само за моделе HR3011FC. HR3012FC

### Опциони додатни прибор

Систем за прикупљање прашице је намењен за ефикасно прикупљање прашице приликом бушења бетона.

- **Слика28:** 1. Систем за прикупљање прашице

**▲ПАЖЊА:** Пре извођења радова на алату проверите да ли је искључен и да ли је утикач извучен из утичнице. Ако то не урадите, случајно покретање алата може да нанесе телесне повреде.

**▲ПАЖЊА:** Увек поставите филтер на систем за прикупљање прашице. У супротном може да дође до удисања прашице.

**▲ПАЖЊА:** Проверите да филтер није оштећен. У супротном може доћи до удисања прашице.

**ОБАВЕШТЕЊЕ:** Немојте да користите систем за скупљање прашице за бушење са језгром или клесање. Систем за скупљање прашице је намењен само за бушење.

**ОБАВЕШТЕЊЕ:** Немојте да користите систем за скупљање прашице за метал или дрво. Систем за скупљање прашице је намењен само за бетон.

**ОБАВЕШТЕЊЕ:** Немојте да користите систем за скупљање прашице за бушење влажног бетона или у влажним условима. У супротном може доћи до квара.

**НАПОМЕНА:** Систем за скупљање прашице скупља насталу прашину прилично брзо, али није могуће скупљање све прашице.

## Постављање или скидање система за скупљање прашице

**ОБАВЕШТЕЊЕ:** Пре постављања система за скупљање прашице, очистите спојне делове алата и система за скупљање прашице.

Страни материјали на спојним деловима могу да доведу до потешкоћа са постављањем система за скупљање прашице. Посебно страни материјали на електричном интерфејсу могу да изазову квар.

Ако остане било каква количина прашице на отвору за ваздух, прашина улази у алат и изазива заглављивање у протоку ваздуха или лом алата.

Закачите систем за скупљање прашице на алат, а затим га уметните кроз до краја, док не чујете да је налегао на место два пута.

Након тога, проверите да ли је систем за скупљање прашице чврсто постављен.

- **Слика29:** 1. Отвор за ваздух

Када скидате систем за скупљање прашице, притисните дугме за ослобађање из блокираног положаја.

- **Слика30:** 1. Дугме за ослобађање из блокираног положаја

## Подешавање положаја млазнице на систему за прикупљање прашице

**▲ПАЖЊА:** Немојте да усмеравате млазницу ка себи или другима при отпуштању млазнице притиском на дугме за подешавање вођице.

Притисните вођицу док истовремено притискате дугме за подешавање вођице, а затим отпустите дугме за подешавање вођице када буде у жељеном положају.

- **Слика31:** 1. Вођица 2. Дугме за подешавање вођице

## Подешавање дубине бушења на систему за прикупљање прашице

Померите дугме за подешавање дубине и повуците га до жељеног положаја. Растојање (А) представља дубину бушења.

- **Слика32:** 1. Дугме за подешавање дубине

## Истресање прашице са филтера

**▲ПАЖЊА:** Немојте да okreћете бројчаник на кућишту за прашину док га уклањате са система за прикупљање прашице. У супротном је могуће удисање прашице.

**▲ПАЖЊА:** Увек искључите алат пре okreтања бројчаника на кућишту за прашину. Ако okreћете бројчаник док алат ради, могућ је губитак контроле над алатом.

Ако се прашина са филтера истресе унутар кућишта за прашину, ефикасност усисавања ће бити очувана тако да се смањује потреба за честим уклањањем прашине.

Окрените бројчаник на кућишту за прашину три пута након прикупљања сваких 50.000 мм<sup>3</sup> прашине или када осетите да је умањен učinak усисавања.

**НАПОМЕНА:** 50.000 мм<sup>3</sup> прашине једнако је бушењу 10 отвора пречника  $\varnothing$ 10 мм и дубине 14 мм (2 отвора пречника  $\varnothing$ 65" и дубине 3/8").

► **Слика33:** 1. Кућиште за прашину 2. Бројчаник

## Одлагање прашине

**ПАЖЊА:** Приликом одлагања прашине носите маску против прашине.

**ПАЖЊА:** Редовно празните кућиште за прашину пре него што се напуни. У супротном може доћи до смањења перформанси скупљања прашине и удисања прашине.

**ПАЖЊА:** Замените филтер новим након приближно 200 коришћења. Запушени филтер може да смањи перформансе скупљања прашине и изазове удисање прашине.

**ОБАВЕШТЕЊЕ:** Приликом чишћења филтера лагано ударајте руком по кућишту филтера да бисте уклонили прашину. Немојте да ударате директно по филтеру, додирујете филтер четком или сличним предметом или да филтер третирасте компримованим ваздухом. Тиме можете да оштетите филтер.

1. Повуците полуку кућишта за прашину да бисте скинули кућиште.

► **Слика34:** 1. Полука

2. Отворите поклопац кућишта за прашину.

► **Слика35:** 1. Поклопац

3. Одложите прашину, а затим очистите филтер.

► **Слика36**

## Замена филтера кућишта за прашину

1. Повуците полуку кућишта за прашину да бисте скинули кућиште. (Погледајте одељак који се односи на одлагање прашине.)

2. Отворите поклопац филтера кућишта за прашину.

► **Слика37:** 1. Поклопац филтера

3. Извадите филтер из кућишта филтера.

► **Слика38:** 1. Филтер 2. Кућиште филтера

4. Монтирајте нови филтер на кућиште филтера, па затим поставите поклопац филтера.

5. Затворите поклопац кућишта за прашину, а затим поставите кућиште за прашину на систем за прикупљање прашине.

## Замена заптивног поклопца

Ако је заптивни поклопац похабан, перформансе скупљања прашине ће бити смањене. Замените га ако је похабан.

Скините заптивни поклопац, а затим поставите нов тако да његово испуњење буде окренуто нагоре.

► **Слика39:** 1. Испуњење 2. Заптивни поклопац

## РАД

**ПАЖЊА:** Увек користите бочни рукохват (помоћну ручку) и чврсто држите алат за рукохвате са обе стране и ручку са прекидачем током рада.

**ПАЖЊА:** Пре почетка рада увек проверите да ли је предмет обраде причвршћен.

**ПАЖЊА:** Не извлачите алат на силу чак и када се бургија заглави. Губитак контроле може да доведе до повреда.


**ПАЖЊА:** Само за моделе HR3011FC, HR3012FC

Пре коришћења система за прикупљање прашине са алатом, прочитајте одељак о систему за прикупљање прашине.

► **Слика40**

## Бушење са ударањем


**ПАЖЊА:** Долази до огромне и неочекиване силе увртања на алат/бургију у тренутку пробијања рупе, када се рупа запуши опилјцима и деловима или при удару у арматуру у бетону. Увек користите бочни рукохват (помоћну ручку) и чврсто држите алат за рукохвате са обе стране и ручку са прекидачем током рада. У супротном може да дође до губитка контроле над алатом и евентуалних озбиљних повреда.

Поставите дугме за промену режима на симбол . Поставите бургију на место рупе на којем желите да избушите рупу, а затим притисните окидач прекидача. Не притискајте алат. Благи притисак даје најбоље резултате. Чврсто држите алат и не дозволите да се извуче из рупе.

Не притискајте додатно када се рупа запуши опилјцима или деловима. Уместо тога, пустите да алат ради у празном ходу, а затим делимично извучите бургију из рупе. Понављањем овог поступка неколико пута, рупа ће се очистити и моћи ћете да наставите бушење на уобичајени начин.

**НАПОМЕНА:** Ако користите алат без оптерећења може да дође до ексцентричне ротације бургије. Алат се аутоматски центрира током рада. То не утиче на прецизност бушења.

## Обрада длетом / клесање / рушење

Поставите дугме за промену режима на симбол . Чврсто држите алат обема рукама. Укључите алат и благо га притисните тако да не одскаче околу неконтролисано.

Јако притискање алата неће повећати учинак.

► **Слика41**

## Бушење у дрвету или металу

**▲ ПАЗЊА:** Држите алат чврсто и будите пажљиви у тренутку када бургија почне да пробија предмет обраде. У тренутку пробијања рупе, на алат/бургију делује огромна сила.


**▲ ПАЗЊА:** Заглављена бургија се може једноставно уклонити подешавањем прекидача за окретање на ротацију у супротном смеру ради вађења. Међутим, алат може одскочити нагло ако га не држите чврсто.

**▲ ПАЗЊА:** Увек причврстите предмете обраде стегом или сличним уређајем за причвршћивање.

**ОБАВЕШТЕЊЕ:** Никада немојте да користите опцију „ротација са ударањем“ када је стезна глава постављена на алату. То може да оштети стезну главу.

Такође, стезна глава ће спасти када промените смер обртања бургије.

**ОБАВЕШТЕЊЕ:** Прекомерним притискањем алата нећете убрзати бушење. Штавише, прекомерно притискање само оштећује врх бургије, смањује учинак алата и скраћује његов радни век.

Поставите дугме за промену режима на симбол .

## За моделе HR3011FC, HR3001C

### Опциони додатни прибор

Поставите адаптер стезне главе на стезну главу за стезање без кључа на који може да се постави завртањ величине 1/2"–20, а затим их поставите на алат. За њено постављање видети одељак под називом „Постављање или скидање бургије“.

► **Слика42:** 1. Стезна глава за стезање без кључа  
2. Адаптер стезне главе

## За модел HR3012FC

Користите брзо измењиву стезну главу као стандардну опрему. Приликом постављања погледајте одељак „замена брзо измењиве стезне главе за SDS-plus бургије“.

Држите прстен и окрените наглавак супротно од смера казаљки на сату да бисте отворили чељусти стезне главе. Ставите бургију у стезну главу докле год иде.


Држите прстен чврсто и окрените наглавак у смеру казаљке на сату да бисте причврстили стезну главу.

► **Слика43:** 1. Наглавак 2. Прстен

Да уклоните бургију, држите прстен и окрените наглавак у смеру супротно од смера казаљке на сату.

## Бушење са дијамантским језгром

**ОБАВЕШТЕЊЕ:** Ако обављате бушење са дијамантским језгром у режиму „ротација са ударањем“, бургија са дијамантским језгром може бити оштећена.

Код бушења са дијамантским језгром увек поставите ручицу за промену режима у положај  да бисте користили режим „само ротација“.

## Издувна пумпица

### Опциони додатни прибор

Након бушења рупе, избаците прашину из ње издувном пумпицом.

► **Слика44**

## Коришћење комплета посуде за прашину

### Опциони додатни прибор

Док рукујете алатом, окрените комплет посуде за прашину ка плафону.

► **Слика45**

**ОБАВЕШТЕЊЕ:** Немојте да користите комплет посуде за прашину када бушите метал и слично. То може да оштети комплет посуде за прашину због топлоте настале од ситне металне прашине и слично.

**ОБАВЕШТЕЊЕ:** Немојте да постављате или уклањате комплет посуде за прашину са бургијом која је постављена на алат. То може да оштети комплет посуде за прашину и узрокује просипање прашине.

## Повезивање врпце (траке за везивање) на вешалицу за алат

**▲ Безбедносна упозорења за коришћење на висини**  
**Прочитајте сва безбедносна упозорења и упутства.** Непоштовање упозорења и упутстава може изазвати тешке телесне повреде.

1. Увек држите алат привезан када радите на висини. Максимална дужина врпце је 2 м. Максимална дозвољена висина пада за врпцу (трака за везивање) не сме да премаши 2 м.
2. Користите само врпце које су прикладне за овај тип алата и које су предвиђене за најмање 7,5 кг.
3. Не причвршћујте врпцу алата за себе нити за покретне компоненте. Причврстите врпцу алата за чврсту структуру која може да издржи силу коју алат производи када падне.
4. Уверите се да је врпца исправно причвршћена на оба краја пре коришћења.
5. Пре сваке употребе, уверите се да на алату и врпци не постоје оштећења и да исправно раде (укључујући тканину и шавове). Не користите их ако су оштећени или ако не раде исправно.

6. Немојте да обмотавате врпцу око оштрих или грубих ивица и не дозволите да дође у контакт са њима.
  7. Причврстите други крај врпце ван радног поља тако да алат буде сигурно причвршћен у случају да падне.
  8. Повежите врпцу тако да се алат помери даље од руковаоца у случају да падне. Испуштени алати се љуљају на врпци, што може да проузрокује повреде или губитак равнотеже.
  9. Не користите у близини покретних делова или покренутих машина. У супротном постоји опасност од ударца или петљања.
  10. Не преносите алат држећи га за додатни уређај или врпцу.
  11. Преносите алат држећи га обема рукама само ако можете да одржавате равнотежу.
  12. Не повезујте врпцу за алат тако да спречава исправан рад прекидача или блокада алата (ако постоје).
  13. Обратите пажњу да се не упетљате врпцом.
  14. Држите врпцу даље од области бушења алата.
  15. Користите вишенаменске карабинере и карабинере са закључавањем. Не користите једнонаменске карабинере са опругом.
  16. У случају да испустите алат, он мора да се означи и повуче из употребе и морају да га прегледају фабрика Makita или овлашћени сервисни центар.
- **Слика46:** 1. Вешалица за алат 2. Врпца (трака за везивање)

## ОДРЖАВАЊЕ

**ПАЖЊА:** Пре него што почнете с прегледом или одржавањем алата, проверите да ли је алат искључен, а утикач извучен из утичнице.

**ОБАВЕШТЕЊЕ:** Никад немојте да користите нафту, бензин, разређивач, алкохол и слична средства. Може доћи до губитка боје, деформације или оштећења.

БЕЗБЕДАН и ПОУЗДАН рад алата гарантујемо само ако поправке, свако друго одржавање или подешавање, препустите овлашћеном сервису компаније Makita или фабричком сервису, уз употребу оригиналних резервних делова компаније Makita.

## ОПЦИОНИ ПРИБОР

**ПАЖЊА:** Ова опрема и прибор су предвиђени за употребу са алатом Makita описаним у овом упутству за употребу. Употреба друге опреме и прибора може да доведе до повреда. Користите делове прибора или опрему искључиво за предвиђену намену.

Да бисте добили више детаља у вези са овим прибором, обратите се локалном сервисном центру компаније Makita.

- Бургије са карбидним врхом (SDS-Plus бургије са карбидним врхом)
- Основна бургија
- Пробојац
- Дијамантска бургија
- Пљоснато длето
- Длето за клесање
- Длето за прављење жлебова
- Адаптер стезне главе
- Стезна глава за стезање без кључа
- Мазиво за бургију
- Граничник дубине
- Издувна пумпица
- Посуда за прашину
- Комплет посуде за прашину
- Разделник (за моделе HR3011FC, HR3001C)
- Систем за прикупљање прашине (за моделе HR3011FC, HR3012FC)
- Заштитна маска
- Вешалица за алат

**НАПОМЕНА:** Поједине ставке на листи могу бити укључене у садржај лаковања алата као стандардна опрема. Оне се могу разликовати од земље до земље.



## SPECIFICAȚII

Model:		HR3011FC	HR3012FC	HR3001C
Capacități	Beton	30 mm		
	Burghiu de centrare	80 mm		
	Burghiu de centrare diamantat (tip uscat)	80 mm		
	Oțel	13 mm		
	Lemn	32 mm		
Turație în gol		0 – 840 min <sup>-1</sup>		
Lovituri pe minut		0 – 4.500 min <sup>-1</sup>		
Lungime totală		369 mm	386 mm	369 mm
Greutate netă		4,4 – 4,8 kg	4,5 - 4,8 kg	4,1 – 4,6 kg
Clasa de siguranță		□/II		

### Accesorii opționale

Model:	DX10 (pentru HR3011FC)	DX11 (pentru HR3012FC)
Piesă de prelucrat și mod de lucru aplicabile	doar pentru găurirea în beton (nu pentru metal sau lemn și nici pentru găurire cu burghiu de centrare sau pentru dăltuire)	
Capacitate de aspirație	0,35 l/min	
Cursă de funcționare	Până la 190 mm	
Cap burghiu adecvat	Până la 265 mm	
Greutate netă	1,2 kg	

- Datorită programului nostru continuu de cercetare și dezvoltare, specificațiile pot fi modificate fără o notificare prealabilă.
- Specificațiile pot varia în funcție de țară.
- Greutatea poate diferi în funcție de accesoriu(ii). În tabel se prezintă combinația cea mai ușoară și cea mai grea, conform Procedurii EPTA 01/2014.

### Destinația de utilizare

Mașina este destinată găuririi cu percuție și găuririi simple în cărămidă, beton și piatră, precum și lucrărilor de dăltuire.

De asemenea, este adecvată și pentru găurirea fără percuție în lemn, metal, ceramică și plastic.

### Sursă de alimentare

Mașina trebuie conectată numai la o sursă de alimentare cu curent alternativ monofazat, cu tensiunea egală cu cea indicată pe plăcuța de identificare a mașinii. Acestea au o izolație dublă și, drept urmare, pot fi utilizate de la prize fără împământare.

### Zgomot

Nivelul de zgomot normal ponderat A determinat în conformitate cu EN60745-2-6:

#### Model HR3011FC

Nivel de presiune acustică ( $L_{pA}$ ): 94 dB(A)  
 Nivel de putere acustică ( $L_{WA}$ ): 105 dB(A)  
 Marjă de eroare (K): 3 dB(A)

#### Model HR3012FC

Nivel de presiune acustică ( $L_{pA}$ ): 93 dB(A)  
 Nivel de putere acustică ( $L_{WA}$ ): 104 dB(A)  
 Marjă de eroare (K): 3 dB(A)

#### Model HR3001C

Nivel de presiune acustică ( $L_{pA}$ ): 94 dB(A)  
 Nivel de putere acustică ( $L_{WA}$ ): 105 dB(A)  
 Marjă de eroare (K): 3 dB(A)

#### Model HR3011FC cu DX10

Nivel de presiune acustică ( $L_{pA}$ ): 96 dB(A)  
 Nivel de putere acustică ( $L_{WA}$ ): 107 dB(A)  
 Marjă de eroare (K): 3 dB(A)

#### Model HR3012FC cu DX11

Nivel de presiune acustică ( $L_{pA}$ ): 94 dB(A)  
 Nivel de putere acustică ( $L_{WA}$ ): 105 dB(A)  
 Marjă de eroare (K): 3 dB(A)

**NOTĂ:** Valoarea (valorile) totală(e) a (ale) emisiilor de zgomot declarate a(u) fost măsurată(e) în conformitate cu o metodă de test standard și poate (pot) fi utilizată(e) pentru compararea unei uneelte cu alta.

**NOTĂ:** Valoarea (valorile) totală(e) a (ale) emisiilor de zgomot declarate poate (pot) fi, de asemenea, utilizată(e) într-o evaluare preliminară a expunerii.

**⚠️ AVERTIZARE:** Purtați echipament de protecție pentru urechi.

**⚠️ AVERTIZARE:** Emisiile de zgomot în timpul utilizării efective a unelei electrice poate diferi de valoarea (valorile) nivelului declarat, în funcție de modul în care unealta este utilizată, în special ce fel de piesă este prelucrată.

**⚠️ AVERTIZARE:** Asigurați-vă că identificați măsurile de siguranță pentru a proteja operatorul, acestea fiind bazate pe o estimare a expunerii în condiții reale de utilizare (luând în considerare toate părțile ciclului de operare, precum timpii în care unealta a fost oprită, sau a funcționat în gol, pe lângă timpul de declanșare).

## Vibrații

Următorul tabel prezintă valoarea totală a vibrațiilor (suma vectorilor tri-axiali) determinată conform standardului aplicabil.

### Model HR3011FC

Mod de lucru	Emisie de vibrații	Marjă de eroare (K)	Standard aplicabil
Găurire cu percuție în beton ( $a_{h, HD}$ )	9,5 m/s <sup>2</sup>	1,5 m/s <sup>2</sup>	EN60745-2-6
Găurire cu percuție în beton cu DX10 ( $a_{h, HD}$ )	9,5 m/s <sup>2</sup>	1,5 m/s <sup>2</sup>	EN60745-2-6
Funcție de dăltuire cu mâner lateral ( $a_{h, Cheq}$ )	6,0 m/s <sup>2</sup>	1,5 m/s <sup>2</sup>	EN60745-2-6
Găurire în metal ( $a_{h, D}$ )	5,5 m/s <sup>2</sup>	1,5 m/s <sup>2</sup>	EN62841-2-1

### Model HR3012FC

Mod de lucru	Emisie de vibrații	Marjă de eroare (K)	Standard aplicabil
Găurire cu percuție în beton ( $a_{h, HD}$ )	9,5 m/s <sup>2</sup>	1,5 m/s <sup>2</sup>	EN60745-2-6
Găurire cu percuție în beton cu DX11 ( $a_{h, HD}$ )	8,0 m/s <sup>2</sup>	1,5 m/s <sup>2</sup>	EN60745-2-6
Funcție de dăltuire cu mâner lateral ( $a_{h, Cheq}$ )	5,5 m/s <sup>2</sup>	1,5 m/s <sup>2</sup>	EN60745-2-6
Găurire în metal ( $a_{h, D}$ )	6,0 m/s <sup>2</sup>	1,5 m/s <sup>2</sup>	EN62841-2-1

### Model HR3001C

Mod de lucru	Emisie de vibrații	Marjă de eroare (K)	Standard aplicabil
Găurire cu percuție în beton ( $a_{h, HD}$ )	13,5 m/s <sup>2</sup>	1,5 m/s <sup>2</sup>	EN60745-2-6
Funcție de dăltuire cu mâner lateral ( $a_{h, Cheq}$ )	11,0 m/s <sup>2</sup>	1,5 m/s <sup>2</sup>	EN60745-2-6
Găurire în metal ( $a_{h, D}$ )	6,0 m/s <sup>2</sup>	1,5 m/s <sup>2</sup>	EN62841-2-1

**NOTĂ:** Valoarea (valorile) totală(e) a (ale) nivelului de vibrații declarat a (au) fost măsurată(e) în conformitate cu o metodă de test standard și poate (pot) fi utilizată(e) pentru compararea unei unele cu alta.

**NOTĂ:** Valoarea (valorile) totală(e) a (ale) nivelului de vibrații declarat poate (pot) fi, de asemenea, utilizată(e) într-o evaluare preliminară a expunerii.

**⚠️ AVERTIZARE:** Nivelul de vibrații în timpul utilizării efective a unelei electrice poate diferi de valoarea (valorile) nivelului declarat, în funcție de modul în care unealta este utilizată, în special ce fel de piesă este prelucrată.

**⚠️ AVERTIZARE:** Asigurați-vă că identificați măsurile de siguranță pentru a proteja operatorul, acestea fiind bazate pe o estimare a expunerii în condiții reale de utilizare (luând în considerare toate părțile ciclului de operare, precum timpii în care unealta a fost oprită, sau a funcționat în gol, pe lângă timpul de declanșare).

## Declarație de conformitate CE

*Numai pentru țările europene*

Declarația de conformitate CE este inclusă ca Anexa A în acest manual de instrucțiuni.

## AVERTIZĂRI DE SIGURANȚĂ

### Avertismente generale de siguranță pentru mașinile electrice

**⚠️ AVERTIZARE:** Citiți toate avertismentele privind siguranța, instrucțiunile, ilustrațiile și specificațiile furnizate cu această sculă electrică. Nerespectarea integrală a instrucțiunilor de mai jos poate cauza electrocutări, incendii și/sau vătămări corporale grave.

### Păstrați toate avertismentele și instrucțiunile pentru consultări ulterioare.

Termenul „mașină electrică” din avertizări se referă la mașinile dumneavoastră electrice acționate de la rețea (prin cablu) sau cu acumulator (fără cablu).

## AVERTISMENTE DE SIGURANȚĂ PRIVIND CIOCANUL ROTOPERCUTOR

- Purtați echipamente de protecție pentru urechi.** Expunerea la zgomot poate cauza pierderea auzului.
- Utilizați mânerul auxiliar, dacă sunt livrate cu mașina.** Pierderea controlului poate produce vătămări corporale.

3. Apucați mașina electrică de suprafețele izolate, atunci când efectuați o operațiune în cadrul căreia accesoriul de tăiere poate intra în contact cu cablurile ascunse sau cu propriul său cablu. Accesoriul de tăiere care intră în contact cu un fir aflat sub tensiune poate pune sub tensiune componentele metalice neizolate ale mașinii electrice și poate produce un șoc electric asupra operatorului.
4. Purtați o cască dură (cască de protecție), ochelari de protecție și/sau o mască de protecție. Ochelarii obișnuiți sau ochelarii de soare NU sunt ochelari de protecție. De asemenea, se recomandă insistent să purtați o mască de protecție contra prafului și mănuși de protecție groase.
5. Asigurați-vă că scula este fixată înainte de utilizare.
6. În condiții de utilizare normală, mașina este concepută să producă vibrații. Șuruburile se pot slăbi ușor, cauzând o defecțiune sau un accident. Verificați cu atenție strângerea șuruburilor înainte de utilizare.
7. În condiții de temperatură scăzută sau dacă mașina nu a fost utilizată o perioadă mai îndelungată, lăsați-o să se încălzească un timp prin acționarea ei în gol. Această acțiune va facilita lubrifierea. Operația de percuție este dificilă fără o încălzire prealabilă corespunzătoare.
8. Păstrați-vă echilibrul. Asigurați-vă că nu se află nicio persoană desedus atunci când folosiți mașina la înălțime.
9. Țineți mașina ferm cu ambele mâini.
10. Țineți mâinile la distanță de piesele în mișcare.
11. Nu lăsați mașina în funcțiune. Folosiți mașina numai când o țineți cu mâinile.
12. Nu îndreptați mașina către nicio persoană din jur în timpul utilizării. Scula poate fi aruncată din mașină și poate provoca vătămări corporale grave.
13. Nu atingeți scula, piesele din apropierea sculei sau piesa de prelucrat imediat după executarea lucrării; acestea pot fi extrem de fierbinți și pot provoca arsuri ale pielii.
14. Unele materiale conțin substanțe chimice care pot fi toxice. Aveți grijă să nu inhalați praful și evitați contactul cu pielea. Respectați instrucțiunile de siguranță ale furnizorului.
15. Nu atingeți fișa cu mâinile umede.

## PĂSTRAȚI ACESTE INSTRUCȚIUNI.

**⚠️ AVERTIZARE:** NU permiteți comodității și familiarizării cu produsul (obținute prin utilizare repetată) să înlocuiască respectarea strictă a normelor de securitate pentru acest produs. **FOLOSIREA INCORECTĂ** sau nerespectarea normelor de securitate din acest manual de instrucțiuni poate provoca vătămări corporale grave.

## DESCRIEREA FUNCȚIILOR

**⚠️ ATENȚIE:** Asigurați-vă că ați oprit mașina și că ați deconectat-o de la rețea înainte de a o regla sau de a verifica starea sa de funcționare.

### Acționarea întrerupătorului

**⚠️ ATENȚIE:** Înainte de a conecta mașina la rețea, verificați dacă butonul declanșator funcționează corect și dacă revine la poziția „OFF” (oprit) atunci când este eliberat.

Pentru a porni mașina, trageți de butonul declanșator. Viteza mașinii poate fi crescută prin creșterea forței de apăsare pe butonul declanșator. Eliberați butonul declanșator pentru a opri mașina.

► Fig.1: 1. Buton declanșator

### Aprinderea lămpii frontale

Doar pentru HR3011FC. HR3012FC

**⚠️ ATENȚIE:** Nu priviți direct în raza sau în sursa de lumină.

Pentru a aprinde lampa, acționați butonul declanșator. Eliberați butonul declanșator pentru a o stinge.

► Fig.2: 1. Lampă

**NOTĂ:** Folosiți o lavetă uscată pentru a șterge murdăria de pe lentila lămpii. Aveți grijă să nu zgâriați lentila lămpii deoarece, în caz contrar, iluminarea va fi redusă.

### Funcția inversorului

**⚠️ ATENȚIE:** Verificați întotdeauna sensul de rotație înainte de utilizare.

**⚠️ ATENȚIE:** Folosiți inversorul numai după ce mașina s-a oprit complet. Schimbarea sensului de rotație înainte de oprirea mașinii poate avaria mașina.

**NOTĂ:** Când schimbați sensul de rotație, asigurați-vă că ați reglat complet inversorul în partea A sau în partea B. În caz contrar, când va fi tras butonul declanșator, este posibil ca motorul să nu se rotească sau mașina să nu funcționeze în mod corespunzător.

Această mașină dispune de un inversor pentru schimbarea sensului de rotație. Mutați pârghia de inversor în poziția din partea A pentru rotire spre dreapta sau în poziția din partea B pentru rotire spre stânga.

► Fig.3: 1. Pârghie de inversor



## Schimbarea mandrinei rapide pentru SDS-plus

### Numai pentru HR3012FC

Mandrina rapidă pentru SDS-plus poate fi înlocuită cu ușurință pentru mandrina de găurit rapidă.




## Demontarea mandrinei rapide pentru SDS-plus

**ATENȚIE:** Înainte de a demonta mandrina rapidă pentru SDS-plus, asigurați-vă că demontați capul.

Apucați manșonul de schimbare al mandrinei rapide pentru SDS-plus și rotiți-l în direcția indicată de săgeată până când linia de pe manșonul de schimbare se deplasează de la simbolul  la simbolul . Trageți cu putere în direcția indicată de săgeată.

- **Fig.4:** 1. Mandrină rapidă pentru SDS-plus  
2. Manșon de schimbare 3. Linia de pe manșonul de schimbare

## Instalarea mandrinei de găurit rapide

Verificați ca linia de pe mandrina de găurit rapidă să indice simbolul . Apucați manșonul de schimbare al mandrinei de găurit rapide și reglați linia la simbolul . Amplasați mandrina de găurit rapidă pe arborele mașinii. Apucați manșonul de schimbare al mandrinei de găurit rapide și rotiți linia de pe manșonul de schimbare la simbolul  până când se aude clar o clic.


- **Fig.5:** 1. Mandrină de găurit rapidă 2. Arbore  
3. Linia de pe manșonul de schimbare  
4. Manșon de schimbare

## Selectarea modului de acționare

**NOTĂ:** Nu acționați butonul rotativ de schimbare a modului de acționare când mașina este în funcțiune. Mașina va fi avariata.


**NOTĂ:** Pentru a evita uzarea rapidă a mecanismului de schimbare a modului de acționare, aveți grijă întotdeauna ca butonul rotativ de schimbare a modului de acționare să fie poziționat corect într-una dintre cele trei poziții corespunzătoare modurilor de acționare.

## Rotire cu percuție

Pentru găurirea betonului, zidăriei etc., rotiți butonul rotativ de schimbare a modului de acționare la simbolul . Utilizați o sculă cu plăcuțe din aliaj dur de tungsten (accessoriu opțional).


- **Fig.6:** 1. Rotire cu percuție 2. Buton rotativ de schimbare a modului de acționare

## Rotire simplă

Pentru găurirea lemnului, metalului sau a materialelor plastice, rotiți butonul de schimbare a modului de acționare la simbolul . Folosiți un cap de burghiu elicoidal sau un cap de burghiu pentru lemn.

- **Fig.7:** 1. Rotire simplă

## Percuție simplă

Pentru operații de spargere, curățare sau demolare, rotiți butonul rotativ de schimbare a modului de acționare la simbolul . Folosiți o dală șpiț, o dală îngustă, o dală lată etc.

- **Fig.8:** 1. Percuție simplă

## Limitator de cuplu

**NOTĂ:** Opriti mașina de îndată ce limitatorul de cuplu începe să funcționeze. Astfel, veți evita uzura prematură a mașinii.

**NOTĂ:** Capetele de burghiu, cum ar fi coroana de găurit, care tind să se blocheze sau să se agațe ușor în gaură, nu sunt adecvate pentru această mașină. Acestea vor cauza acționarea prea frecventă a limitatorului de cuplu.

Limitatorul de cuplu va acționa atunci când se atinge o anumită valoare a cuplului. Motorul va fi decuplat de la arborele de ieșire. În acest caz, capul de burghiu nu se va mai roti.

## Funcție electronică

Mașina este echipată cu funcții electronice pentru operare facilă.

- Control constant al vitezei  
Funcția de control al vitezei furnizează viteza de rotație constantă indiferent de condițiile de sarcină.

## Conductă de aer

Doar pentru HR3011FC, HR3012FC

**ATENȚIE:** Nu puneți degetele în conducta de aer și nici nu introduceți orice alte obiecte în conducta de aer. În caz contrar, vă puteți răni sau mașina se poate deteriora.

Conducta de aer trebuie să fie conectată la sistemul de colectare a prafului.

Pentru utilizarea sistemului de colectare a prafului, citiți secțiunea referitoare la sistemul de colectare a prafului.

- **Fig.9:** 1. Conductă de aer

## ASAMBLARE

**ATENȚIE:** Asigurați-vă că ați oprit mașina și că ați deconectat-o de la rețea înainte de a efectua vreă intervenție asupra mașinii.

## Mâner lateral (mâner auxiliar)

**ATENȚIE:** Folosiți întotdeauna mânerul lateral pentru a garanta siguranța utilizării.

**ATENȚIE:** După montarea sau reglarea mânerului lateral, asigurați-vă că acesta este fixat bine.

Pentru a instala mânerul lateral, urmați pașii de mai jos.

1. Slăbiți șurubul cu cap striat de pe mânerul lateral.  
► **Fig.10:** 1. Șurub cu cap striat
2. Montați mânerul lateral în timp ce apăsați șurubul cu cap striat, astfel încât canelurile de pe mâner să se angreneze în protuberanțele de pe corpul mașinii.  
► **Fig.11:** 1. Șurub cu cap striat
3. Strângeți șurubul cu cap striat pentru a fixa mânerul. Mânerul poate fi fixat la unghiul dorit.

## Unsoare

Acoperiți capătul cozii capului de burghiu în prealabil cu o cantitate mică de unsoare (circa 0,5 - 1 g). Această lubrifiere a mandrinei asigură o funcționare lină și o durată de exploatare prelungită.

## Instalarea sau demontarea capului de burghiu

Curățați capătul cozii capului de burghiu și aplicați unsoare înainte de montarea capului de burghiu.

► **Fig.12:** 1. Capătul cozii 2. Unsoare

Introduceți capul de burghiu în mașină. Rotiți capul de burghiu și împingeți până când se cuplează.

După instalarea capului de burghiu, asigurați-vă întotdeauna că ați fixat ferm capul de burghiu, încercând să îl trageți afară.

► **Fig.13:** 1. Cap de burghiu

Pentru a demonta capul de burghiu, trageți mașonul mandrinei complet în jos și extrageți capul de burghiu.

► **Fig.14:** 1. Cap de burghiu 2. Mașonul mandrinei

## Unghiul de atac al dălții (la operații de spargere, curățare sau demolare)

Dalta poate fi fixată la unghiul de atac dorit. Pentru a schimba unghiul de atac al dălții, rotiți butonul rotativ de schimbare a modului de acționare la simbolul O. Rotiți dalta la unghiul dorit.

► **Fig.15:** 1. Buton rotativ de schimbare a modului de acționare

Rotiți butonul rotativ de schimbare a modului de acționare la simbolul T. Apoi, asigurați-vă, printr-o rotire ușoară, că dalta este fixată ferm în poziție.

## Profundor

Profundorul este util pentru efectuarea orificiilor cu o adâncime uniformă.

Apăsați și țineți apăsat butonul de blocare, apoi introduceți profundorul în orificiul hexagonal. Asigurați-vă că partea dințată a profundorului este îndreptată către marcaj.

► **Fig.16:** 1. Profundor 2. Buton de blocare 3. Marcaj 4. Partea dințată

Reglați profundorul deplasându-l înapoi și înainte în timp ce apăsați butonul de blocare. După reglare, eliberați butonul de blocare pentru a bloca profundorul.

**NOTĂ:** Asigurați-vă că între calibrul de reglare și corpul principal al mașinii nu există niciun contact în momentul în care îl atașați.

## Capac antipraf

### Accesorii opționale

Folosiți capacul antipraf pentru a preveni curgerea prafului pe mașină și pe dumneavoastră atunci când executați operații de găurire deasupra capului. Atașați capacul antipraf pe burghiu după cum se vede în figură. Dimensiunile burghiilor la care poate fi atașat capacul antipraf sunt următoarele.

Model	Diametrul burghiului
Capac antipraf 5	6 mm - 14,5 mm
Capac antipraf 9	12 mm - 16 mm

► **Fig.17:** 1. Capac antipraf

## Set capace antipraf

### Accesorii opționale

## Pentru modelele HR3011FC, HR3001C

**NOTĂ:** Când se utilizează setul de capace antipraf cu HR3011FC sau HR3001C, este necesar și distanțierul.

Înainte de instalarea setului de capace antipraf, demontați burghiul de pe mașină, dacă este instalat.

Atașați distanțierul la setul de capace antipraf.

Simbolul  $\Delta$  de pe setul de capace antipraf este aliniat cu canelura de pe distanțier.

► **Fig.18:** 1. Distanțier 2.  $\Delta$  simbol 3. Canelură

Instalați setul de capace antipraf cu distanțierul pe mașină astfel încât simbolul  $\Delta$  de pe capacul antipraf să fie aliniat cu canelura de pe mașină.

► **Fig.19:** 1.  $\Delta$  simbol 2. Canelură

Pentru a scoate setul de capace antipraf, scoateți capul în timp ce împingeți mașonul mandrinei în direcția săgeții.

► **Fig.20:** 1. Cap de înșurubat 2. Mașonul mandrinei

Țineți baza capacului antipraf și trageți-l afară.

► **Fig.21**

## Pentru modelul HR3012FC

Înainte de instalarea setului de capace antipraf, demontați burghiul de pe mașină, dacă este instalat.

Instalați setul de capace antipraf pe mașină astfel încât simbolul  $\Delta$  de pe capacul antipraf să fie aliniat la canelura din mașină.

► **Fig.22:** 1.  $\Delta$  simbol 2. Canelură

Pentru a scoate setul de capace antipraf, scoateți capul în timp ce împingeți mașonul mandrinei în direcția săgeții.

► **Fig.23:** 1. Cap de înșurubat 2. Mașonul mandrinei

Țineți baza capacului antipraf și trageți-l afară.

► **Fig.24**

**NOTĂ:** În cazul în care conectați un aspirator la setul de capace antipraf, scoateți capacul antipraf înainte de a-l conecta.

► **Fig.25:** 1. Capac antipraf

**NOTĂ:** În cazul în care capacul se desprinde de pe capacul antipraf, atașați-l cu partea imprimată orientată în sus, astfel încât canelura de pe capac să se angreneze în periferia interioară a accesoriului.

► Fig.26

## Agățătoare mașină

### Accesorii opționale

**⚠️ AVERTIZARE:** Nu utilizați agățătoarea mașinii și șurubul dacă sunt deteriorate.

**⚠️ AVERTIZARE:** Folosiți doar șurubul furnizat împreună cu agățătoarea mașinii.

**⚠️ AVERTIZARE:** Înainte de utilizarea agățătorii mașinii, verificați dacă există deteriorări, fisuri sau deformări și asigurați-vă că șurubul este strâns.

**⚠️ ATENȚIE:** Montați sau demontați agățătoarea mașinii pe o masă sau pe altă suprafață stabilă.

Agățătoarea mașină este destinată conectării curelei (cureaua de prindere). Pentru a monta agățătoarea mașină pe mașină, urmați pașii de mai jos.

1. Deconectați fișa de la sursa de alimentare.
2. Introduceți proeminențele agățătorii mașinii în orificiile de pe unealtă.
3. Strângeți ferm șuruburile.

► Fig.27: 1. Agățătoare mașină 2. Orificiu  
3. Proeminență 4. Șurub

## SISTEM DE COLECTARE A PRAFULUI

Doar pentru HR3011FC. HR3012FC

### Accesorii opționale

Sistemul de colectare a prafului este conceput pentru a colecta în mod eficient praful în timpul operațiunii de găurire în beton.

► Fig.28: 1. Sistem de colectare a prafului

**⚠️ ATENȚIE:** Asigurați-vă că ați oprit mașina și că ați deconectat-o de la rețea înainte de a efectua orice intervenție asupra mașinii. În caz contrar, se pot produce vătămări corporale în urma pornirii accidentale.

**⚠️ ATENȚIE:** Atașați întotdeauna filtrul la sistemul de colectare a prafului. În caz contrar, praful poate fi inhalat.

**⚠️ ATENȚIE:** Asigurați-vă că filtrul nu este deteriorat. În caz contrar, praful poate fi inhalat.

**NOTĂ:** Nu utilizați sistemul de colectare a prafului pentru găurire cu burghiu de centrare sau pentru dăltuire. Sistemul de colectare a prafului este destinat numai pentru găurire.

**NOTĂ:** Nu utilizați sistemul de colectare a prafului pentru metal sau lemn. Sistemul de colectare a prafului este destinat numai pentru beton.

**NOTĂ:** Nu utilizați sistemul de colectare a prafului pentru găurire în beton umed și nu utilizați acest sistem în medii umede. În caz contrar, există risc de funcționare necorespunzătoare.

**NOTĂ:** Sistemul de colectare a prafului colectează praful generat într-o proporție semnificativă, însă nu tot praful poate fi colectat.

## Montarea sau demontarea sistemului de colectare a prafului

**NOTĂ:** Înainte de instalarea sistemului de colectare a prafului, curățați părțile cu îmbinări ale mașinii și sistemul de colectare a prafului.

Materiile străine pe părțile cu îmbinări pot face dificilă montarea sistemului de colectare a prafului. În special, materiile străine de pe interfața electrică pot duce la funcționarea necorespunzătoare.

Dacă rămâne praf pe conducta de aer, praful intră în mașină și produce un blocaj al fluxului de aer sau defectarea mașinii.

Agățați sistemul de colectare a prafului pe mașină, apoi introduceți sistemul de colectare a prafului până la capăt, până când se fixează în poziție cu un mic clic dublu.

După aceea, asigurați-vă că sistemul de colectare a prafului este bine fixat.

► Fig.29: 1. Conductă de aer

Pentru a scoate sistemul de colectare a prafului, apăsați butonul de deblocare.

► Fig.30: 1. Buton de deblocare

## Reglarea poziției duzei la sistemul de colectare a prafului

**⚠️ ATENȚIE:** Nu îndreptați duza înspre dumneavoastră sau înspre alte persoane atunci când eliberați duza trăgând butonul de reglare a ghidajului.

Împingeți ghidajul în interior în timp ce apăsați butonul de reglare a ghidajului și apoi eliberați butonul de reglare a ghidajului când ajunge în poziția dorită.

► Fig.31: 1. Ghidaj 2. Buton de reglare a ghidajului

## Reglarea adâncimii de găurire a sistemului de colectare a prafului

Glisați butonul de reglare a adâncimii spre poziția dorită în timp ce îl apăsați. Distanța (A) este adâncimea de găurire.

► Fig.32: 1. Buton de reglare a adâncimii

## Scuturarea prafului din filtru

**⚠️ ATENȚIE:** Nu rotiți selectorul de pe cutia pentru praf în timp ce cutia pentru praf este scoasă din sistemul de colectare a prafului. Acționarea lui poate duce la inhalarea prafului.

**⚠️ ATENȚIE:** Întotdeauna opriți scula când rotiți selectorul de pe cutia pentru praf. Rotirea selectorului în timp ce scula este în funcțiune poate duce la pierderea controlului asupra mașinii.

Prin scuturarea prafului din filtru în interiorul cutiei pentru praf, puteți menține eficiența aspirării și puteți reduce și frecvența cu care eliminați praful. Rotiți discul rotativ de pe cutia pentru praf de trei ori după fiecare colectare a 50.000 mm<sup>3</sup> de praf sau atunci când considerați că a scăzut performanța de aspirare.

**NOTĂ:** 50.000 mm<sup>3</sup> de praf echivalează cu perforarea a 10 găuri cu diametrul de 10 mm și o adâncime de 14 mm (2 găuri cu diametrul de 65" și o adâncime de 3/8").

▶ Fig.33: 1. Cutie pentru praf 2. Disc rotativ

## Eliminarea prafului

**⚠️ ATENȚIE:** Purtați mască antipraf atunci când eliminați praful.

**⚠️ ATENȚIE:** Goliți în mod regulat cutia pentru praf, înainte ca aceasta să se umple. În caz contrar, performanța de colectare a prafului poate scădea și se poate ajunge la inhalarea prafului.

**⚠️ ATENȚIE:** Înlocuiți filtrul cu unul nou după aproximativ 200 de umpleri cu praf, orientativ. Un filtru înfundat scade performanța de colectare a prafului și se poate ajunge la inhalarea prafului.

**NOTĂ:** Atunci când curățați filtrul, loviți ușor cu mâna cutia filtrului pentru a îndepărta praful. Nu loviți filtrul direct, atingeți filtrul cu peria sau cu un alt obiect asemănător sau suflați aer comprimat pe acesta. În caz contrar, filtrul se poate deteriora.

1. Scoateți cutia pentru praf în timp ce apăsați în jos pârghia cutiei pentru praf.

▶ Fig.34: 1. Pârghie

2. Deschideți capacul cutiei pentru praf.

▶ Fig.35: 1. Capac

3. Eliminați praful și apoi curățați filtrul.

▶ Fig.36

## Înlocuirea filtrului cutiei pentru praf

1. Scoateți cutia pentru praf în timp ce apăsați în jos pârghia cutiei pentru praf. (Consultați secțiunea referitoare la eliminarea prafului.)

2. Deschideți capacul filtrului de pe cutia pentru praf.

▶ Fig.37: 1. Capacul filtrului

3. Scoateți filtrul din carcasa filtrului.

▶ Fig.38: 1. Filtru 2. Carcasă filtru

4. Atașați un filtru nou în carcasa filtrului și apoi instalați capacul filtrului.

5. Închideți capacul cutiei pentru praf și apoi montați cutia la sistemul de colectare a prafului.

## Înlocuirea capacului de etanșare

În cazul în care capacul de etanșare este uzat, performanța colectării prafului scade. Înlocuiți-l dacă este uzat.

Scoateți capacul de etanșare și apoi atașați unul nou cu proeminența acestuia orientată în sus.

▶ Fig.39: 1. Proeminență 2. Capac de etanșare

## OPERAREA

**⚠️ ATENȚIE:** Folosiți întotdeauna mânerul lateral (mânerul auxiliar) și țineți mașina ferm de mânerul lateral și mânerul cu comutator în timpul lucrului.

**⚠️ ATENȚIE:** Asigurați-vă întotdeauna că piesa de prelucrat este fixată înainte de utilizare.


**⚠️ ATENȚIE:** Nu trageți mașina cu forța, nici chiar în cazul în care capul rămâne blocat. Pierderea controlului poate produce vătămări.

**⚠️ ATENȚIE:** Doar pentru HR3011FC. HR3012FC  
Înainte de utilizarea sistemului de colectare a prafului cu mașina, citiți secțiunea referitoare la sistemul de colectare a prafului.

▶ Fig.40

## Operația de găurire cu percuție

**⚠️ ATENȚIE:** Asupra mașinii/capului burghiului este exercitată o forță de răscuire enormă și bruscă în momentul în care orificiul este străpuns, dacă orificiul se înfundă cu așchii și particule sau dacă întâlniți barele de armătură încastrate în beton. **Folosiți întotdeauna mânerul lateral (mânerul auxiliar) și țineți mașina ferm de mânerul lateral și mânerul cu comutator în timpul lucrului.** În caz contrar, există riscul de a pierde controlul mașinii și de a suferi vătămări corporale grave.


Reglați butonul rotativ de schimbare a modului de acțiune la simbolul .

Poziționați capul de burghiu în punctul de găurire dorit, apoi trageți de butonul declanșator. Nu forțați mașina. O presiune mai ușoară oferă cele mai bune rezultate. Mențineți mașina în poziție și împiedicați-o să alunece din gaură.

Nu aplicați o presiune mai mare dacă gaura se înfundă cu așchii sau particule. În schimb, lăsați mașina să funcționeze în gol și scoateți parțial capul de burghiu din gaură. Repetând această operație de mai multe ori, gaura va fi curățată și veți putea continua găurirea normală.

**NOTĂ:** Când acționați mașina fără sarcină poate apărea o rotație excentrică a capului de burghiu. Mașina se autocentrează în timpul funcționării. Aceasta nu afectează precizia de găurire.

## Spargere/curățare/demolare

Reglați butonul rotativ de schimbare a modului de acțiune la simbolul .

Țineți mașina ferm cu ambele mâini. Porniți mașina și aplicați o ușoară presiune asupra acesteia astfel încât mașina să nu salte necontrolată.

Apăsarea cu putere a mașinii nu va spori eficiența acesteia.

► Fig.41

## Găurirea în lemn sau metal


**⚠️ATENȚIE:** Țineți mașina ferm și procedați cu atenție atunci când capul de burghiu trece prin piesa de prelucrat. Asupra mașinii/capului de burghiu este exercitată o forță enormă în momentul în care gaura este străpunsă.

**⚠️ATENȚIE:** Un cap de burghiu blocat se poate debloca prin simpla setare a inversorului pentru rotația în sens invers, pentru retragere. Totuși, mașina se poate retrage brusc dacă nu o țineți ferm.

**⚠️ATENȚIE:** Piesele trebuie fixate întotdeauna cu o menghină sau cu un alt dispozitiv similar de fixare.

**NOTĂ:** Nu utilizați niciodată „rotirea cu percuție” atunci când mandrina de găurit este instalată pe mașină. Mandrina de găurit se poate deteriora. De asemenea, mandrina de găurit se va desprinde în momentul inversării direcției de rotație a mașinii.

**NOTĂ:** Aplicarea unei forțe excesive asupra mașinii nu va grăbi operațiunea de găurire. De fapt, presiunea excesivă nu va face decât să deterioreze burghiul, reducând performanțele mașinii și durata de viață a acesteia.

Reglați butonul rotativ de schimbare a modului de acțiune la simbolul .

## Pentru modelele HR3011FC, HR3001C

### Accesorii opționale

Atașați adaptorul mandrină la o mandrină de găurit fără cheie la care se poate instala un șurub de dimensiune 1/2"-20 și apoi instalați-le la mașină. La instalare, consultați secțiunea „Instalarea sau demontarea capului de burghiu”.

► Fig.42: 1. Mandrină de găurit fără cheie 2. Adaptor mandrină

## Pentru modelul HR3012FC

Folosiți mandrina de găurit rapidă ca echipament standard. La momentul instalării, consultați „Schimbarea mandrinei rapide pentru SDS-plus”.


Țineți inelul și roțiți manșonul în sens antiorar pentru a deschide fâlcile mandrinei. Introduceți capul de înșurubat în mandrină până când se oprește. Țineți ferm inelul și roțiți manșonul în sens orar pentru a strânge mandrina.

► Fig.43: 1. Manșon 2. Inel

Pentru a îndepărta capul de înșurubat, țineți inelul și roțiți manșonul în sens anti-orar.

## Găurirea cu burghiu de centrare diamantat

**NOTĂ:** Dacă executați operații de găurire cu un burghiu de centrare diamantat folosind modul „rotire cu percuție”, burghiul de centrare diamantat poate fi avariat.

Când executați operații de găurire cu un burghiu de centrare diamantat, reglați întotdeauna butonul rotativ de schimbare a modului de acțiune  în poziția de „rotire simplă”.

## Pară de suflare

### Accesorii opționale

După găurire, folosiți para de suflare pentru a curăța praful din gaură.

► Fig.44

## Utilizarea setului de capace antipraf

### Accesorii opționale

Prindeți setul de capace antipraf pe plafon atunci când operați mașina.

► Fig.45

**NOTĂ:** Nu utilizați setul de capace antipraf când găuriți metal sau materiale similare. Acest lucru poate deteriora setul de capace antipraf din cauza căldurii produse de micile particule de praf de metal sau materiale similare.

**NOTĂ:** Nu instalați sau demontați setul de capace antipraf cu capul de burghiu instalat pe mașină. Acest lucru poate deteriora setul de capace antipraf și poate cauza scurgeri de praf.

## Conectarea curelei (cureaua de prindere) la agățătoarea mașinii

**⚠️Avertismente de siguranță specifice utilizării la înălțime**

Citiți toate avertismentele de siguranță și toate instrucțiunile. Nerespectarea avertizărilor și instrucțiunilor poate conduce la vătămări grave.

1. Atașați întotdeauna mașinii o curea atunci când lucrați „la înălțime”. Lungimea maximă a curelei este de 2 m. Înălțimea de cădere maximă admisă a curelei (cureaua de prindere) nu trebuie să depășească 2 m.
2. Utilizați doar curele adecvate pentru acest tip de mașină și aprobate pentru a susține o greutate de cel puțin 7,5 kg.
3. Nu ancorați cureaua uneieltei de corpul dvs. sau de componente mobile. Ancorarea cureaua uneieltei de o structură rigidă care să poată susține forțele uneieltei aflate în cădere.
4. Asigurați-vă că ați fixat bine cureaua la fiecare capăt înainte de utilizare.



5. **Inspectați unealta și cureaua înainte de fiecare utilizare pentru a identifica potențialele defecțiuni și dacă funcționarea este corectă (incluzând materialele textile și cusăturile). Nu continuați dacă observați defecțiuni sau dacă nu funcționează corespunzător.**
6. **Nu înfășurați curelele în jurul dvs. și nu le permiteți să intre în contact cu muchii ascuțite sau aspre.**
7. **Prindeți fiecare capăt al curelei în afara zonei de lucru, pentru a putea fixa bine o unealtă în cădere.**
8. **Ațașați cureaua astfel încât unealta să se distanțeze de operator în cazul în care cade. Unelele căzute vor rămâne agățate de curea, ceea ce ar putea provoca vătămări sau pierderea echilibrului.**
9. **Nu utilizați în apropierea pieselor în mișcare sau a utilajelor în funcțiune. În caz contrar, pot apărea accidente sau pericole.**
10. **Nu țineți unealta de dispozitivul de atașare sau de curea.**
11. **Mutați unealta dintr-o mână în alta doar dacă sunteți într-o poziție echilibrată.**
12. **Nu atășați curelele de mașină într-un mod care poate împiedica funcționarea corespunzătoare a declanșatorului sau a butoanelor de blocare (dacă există în dotare).**
13. **Evitați încurcarea în curea.**
14. **Țineți cureaua la distanță de zona de găurire a mașinii.**
15. **Utilizați carabine acționate multiplu și cu șuruburi. Nu utilizați carabine cu o singură acționare și cu arc.**
16. **În cazul în care unealta cade de la înălțime, trebuie etichetată și scoasă din funcțiune și trebuie inspectată de o fabrică Makita sau de un centru autorizat de service.**

► **Fig.46:** 1. Agățătoare mașină 2. Curea (curea de prindere)

## ACCESORII OPȚIONALE

**⚠ATENȚIE:** Folosiți accesoriile sau piesele auxiliare recomandate pentru mașina dumneavoastră Makita în acest manual. Utilizarea oricăror alte accesorii sau piese auxiliare poate prezenta risc de vătămare corporală. Utilizați accesoriile și piesele auxiliare numai în scopul destinat.

Dacă aveți nevoie de asistență sau de mai multe detalii referitoare la aceste accesorii, adresați-vă centrului local de service Makita.

- Capete de burghiu cu plăcuțe de carburi metalice (capete cu plăcuțe de carburi metalice SDS-Plus)
- Burghiu de centrare
- Daltă șpiț
- Burghiu de centrare diamantat
- Daltă îngustă
- Daltă lată
- Daltă de canelat
- Adaptor mandrină
- Mandrină de găurit fără cheie
- Unsoare pentru burghie
- Profundor
- Pară de suflare
- Capac antipraf
- Set capace antipraf
- Distanțier (pentru HR3011FC și HR3001C)
- Sistem de colectare a prafului (pentru HR3011FC, HR3012FC)
- Ochelari de protecție
- Agățătoare mașină

**NOTĂ:** Unele articole din listă pot fi incluse ca accesorii standard în ambalajul de scule. Acestea pot diferi în funcție de țară.

## ÎNTREȚINERE

**⚠ATENȚIE:** Asigurați-vă întotdeauna că ați oprit mașina și că ați deconectat-o de la rețea înainte de a efectua operațiuni de inspecție sau întreținere.

**NOTĂ:** Nu utilizați niciodată gazolină, benzină, diluant, alcool sau alte substanțe asemănătoare. În caz contrar, pot rezulta decolorări, deformări sau fisuri.

Pentru a menține SIGURANȚA și FIABILITATEA produsului, reparațiile și orice alte lucrări de întreținere sau reglare trebuie executate de centre de service Makita autorizate sau proprii, folosind întotdeauna piese de schimb Makita.

## ТЕХНІЧНІ ХАРАКТЕРИСТИКИ

Модель:		HR3011FC	HR3012FC	HR3001C
Функціональні можливості	Бетон	30 мм		
	Колонкове свердло	80 мм		
	Свердло з алмазним осердям (сухе)	80 мм		
	Сталь	13 мм		
	Деревина	32 мм		
Швидкість у режимі холостого ходу		0 – 840 хв <sup>-1</sup>		
Ударів за хвилину		0 – 4 500 хв <sup>-1</sup>		
Загальна довжина		369 мм	386 мм	369 мм
Маса нетто		4,4 – 4,8 кг	4,5 – 4,8 кг	4,1 – 4,6 кг
Клас безпеки		□/II		

### Додаткове приладдя

Модель:	DX10 (для HR3011FC)	DX11 (для HR3012FC)
Матеріали й режими роботи	Лише для свердління бетону (не підходить для металу й дерева, а також для колонкового свердління та довбання)	
Продуктивність всмоктування	0,35 л/хв	
Робочий хід	До 190 мм	
Придатне свердло	До 265 мм	
Маса нетто	1,2 кг	

- Оскільки наша програма наукових досліджень і розробок триває безперервно, наведені тут технічні характеристики можуть бути змінені без попередження.
- У різних країнах технічні характеристики можуть бути різними.
- Вага може відрізнятися залежно від допоміжного обладнання. Найлегші та найважчі комплекти, відповідно до стандарту ЕРТА (Європейська асоціація виробників електроінструменту) від січня 2014 року, представлено в таблиці.

### Призначення

Інструмент призначено для ударного свердління та свердління цегли, бетону й каміння, а також довбання.

Можна також застосовувати для неударного свердління деревини, металу, кераміки та пластмаси.

### Джерело живлення

Інструмент можна підключати лише до джерела живлення, що має напругу, зазначену в таблиці із заводськими характеристиками, і він може працювати лише від однофазного джерела змінного струму. Він має подвійну ізоляцію, а отже може також підключатися до розеток без лінії заземлення.

### Шум

Рівень шуму за шкалою А в типовому виконанні, визначений відповідно до стандарту EN60745-2-6:

#### Модель HR3011FC

Рівень звукового тиску ( $L_{pA}$ ): 94 дБ (А)  
Рівень звукової потужності ( $L_{WA}$ ): 105 дБ (А)  
Похибка (К): 3 дБ (А)

#### Модель HR3012FC

Рівень звукового тиску ( $L_{pA}$ ): 93 дБ (А)  
Рівень звукової потужності ( $L_{WA}$ ): 104 дБ (А)  
Похибка (К): 3 дБ (А)

#### Модель HR3001C

Рівень звукового тиску ( $L_{pA}$ ): 94 дБ (А)  
Рівень звукової потужності ( $L_{WA}$ ): 105 дБ (А)  
Похибка (К): 3 дБ (А)

#### Модель HR3011FC із DX10

Рівень звукового тиску ( $L_{pA}$ ): 96 дБ(А)  
Рівень звукової потужності ( $L_{WA}$ ): 107 дБ (А)  
Похибка (К): 3 дБ(А)

#### Модель HR3012FC із DX11

Рівень звукового тиску ( $L_{pA}$ ): 94 дБ (А)  
Рівень звукової потужності ( $L_{WA}$ ): 105 дБ (А)  
Похибка (К): 3 дБ (А)

**ПРИМІТКА:** Заявлене значення шуму було виміряно відповідно до стандартних методів тестування й може використовуватися для порівняння одного інструмента з іншим.

**ПРИМІТКА:** Заявлене значення шуму може також використовуватися для попереднього оцінювання впливу.

**⚠ПОПЕРЕДЖЕННЯ:** Користуйтеся засобами захисту органів слуху.

**⚠ПОПЕРЕДЖЕННЯ:** Залежно від умов використання рівень шуму під час фактичної роботи електроінструмента може відрізнятися від заявленого значення вібрації; особливо сильно на це впливає тип деталі, що оброблюється.

**⚠ПОПЕРЕДЖЕННЯ:** Забезпечте належні запобіжні заходи для захисту оператора, що відповідатимуть умовам використання інструмента (слід брати до уваги всі складові робочого циклу, як-от час, коли інструмент вимкнено та коли він починає працювати на холостому ході під час запуску).

## Вібрація

У таблиці нижче наведено загальне значення вібрації (векторна сума трьох напрямків), визначене згідно із застосовним стандартом.

### Модель HR3011FC

Режим роботи	Вібрація	Похибка (К)	Відповідний стандарт
Ударне свердління бетону ( $a_{h, HD}$ )	9,5 м/с <sup>2</sup>	1,5 м/с <sup>2</sup>	EN60745-2-6
Ударне свердління бетону за допомогою DX10 ( $a_{h, HD}$ )	9,5 м/с <sup>2</sup>	1,5 м/с <sup>2</sup>	EN60745-2-6
Довбання з використанням бокової рукоятки ( $a_{h, CHed}$ )	6,0 м/с <sup>2</sup>	1,5 м/с <sup>2</sup>	EN60745-2-6
Свердління металу ( $a_{h, D}$ )	5,5 м/с <sup>2</sup>	1,5 м/с <sup>2</sup>	EN62841-2-1

### Модель HR3012FC

Режим роботи	Вібрація	Похибка (К)	Відповідний стандарт
Ударне свердління бетону ( $a_{h, HD}$ )	9,5 м/с <sup>2</sup>	1,5 м/с <sup>2</sup>	EN60745-2-6
Ударне свердління бетону за допомогою DX11 ( $a_{h, HD}$ )	8,0 м/с <sup>2</sup>	1,5 м/с <sup>2</sup>	EN60745-2-6
Довбання з використанням бокової рукоятки ( $a_{h, CHed}$ )	5,5 м/с <sup>2</sup>	1,5 м/с <sup>2</sup>	EN60745-2-6
Свердління металу ( $a_{h, D}$ )	6,0 м/с <sup>2</sup>	1,5 м/с <sup>2</sup>	EN62841-2-1

### Модель HR3001C

Режим роботи	Вібрація	Похибка (К)	Відповідний стандарт
Ударне свердління бетону ( $a_{h, HD}$ )	13,5 м/с <sup>2</sup>	1,5 м/с <sup>2</sup>	EN60745-2-6
Довбання з використанням бокової рукоятки ( $a_{h, CHed}$ )	11,0 м/с <sup>2</sup>	1,5 м/с <sup>2</sup>	EN60745-2-6
Свердління металу ( $a_{h, D}$ )	6,0 м/с <sup>2</sup>	1,5 м/с <sup>2</sup>	EN62841-2-1

**ПРИМІТКА:** Заявлене загальне значення вібрації було виміряно відповідно до стандартних методів тестування й може використовуватися для порівняння одного інструмента з іншим.

**ПРИМІТКА:** Заявлене загальне значення вібрації може також використовуватися для попереднього оцінювання впливу.

**⚠ПОПЕРЕДЖЕННЯ:** Залежно від умов використання вібрація під час фактичної роботи електроінструмента може відрізнятися від заявленого значення вібрації; особливо сильно на це впливає тип деталі, що оброблюється.

**⚠ПОПЕРЕДЖЕННЯ:** Забезпечте належні запобіжні заходи для захисту оператора, що відповідатимуть умовам використання інструмента (слід брати до уваги всі складові робочого циклу, як-от час, коли інструмент вимкнено та коли він починає працювати на холостому ході під час запуску).

## Декларація про відповідність стандартам ЄС

### Тільки для країн Європи

Декларацію про відповідність стандартам ЄС наведено в Додатку А до цієї інструкції з експлуатації.

## ПОПЕРЕДЖЕННЯ ПРО ДОТРИМАННЯ ТЕХНІКИ БЕЗПЕКИ

### Загальні застереження щодо техніки безпеки при роботі з електроінструментами

**⚠ПОПЕРЕДЖЕННЯ:** Уважно ознайомтеся з усіма попередженнями про дотримання правил техніки безпеки, інструкціями, ілюстраціями та технічними характеристиками, що стосуються цього електроінструмента. Невиконання будь-яких інструкцій, перелічених нижче, може призвести до ураження електричним струмом, пожежі та/або тяжких травм.

## Збережіть усі інструкції з техніки безпеки та експлуатації на майбутнє.

Термін «електроінструмент», зазначений у інструкції з техніки безпеки, стосується електроінструмента, який функціонує від електромережі (електроінструмент з кабелем живлення), або електроінструмента з живлення від батареї (безпроводний електроінструмент).

### ПОПЕРЕДЖЕННЯ ПРО НЕБЕЗПЕКУ ПІД ЧАС РОБОТИ З ПЕРФОРАТОРОМ

1. Користуйтеся засобами захисту органів слуху. Вплив шуму може призвести до втрати слуху.
2. Використовуйте допоміжну(і) ручку(и), якщо вона(и) поставляються разом з інструментом. Втрата контролю над інструментом може призвести до травмування.
3. Тримайте електроприлад за призначені для цього ізольовані поверхні під час виконання дії, за якої різальне приладдя може зачепити приховану електропроводку або власний шнур. Торкання різальним приладдям дроту під напругою може призвести до передавання напруги до оголених металевих частин інструмента та до ураження оператора електричним струмом.
4. Слід одягати каску (захисний шолом), захисні окуляри та (або) щиток-маску. Звичайні або сонцезахисні окуляри НЕ Є захисними. Настійно рекомендовано одягати пілозахисну маску та рукавиці з товстими підкладками.
5. Перед початком роботи обов'язково перевірте, щоб полотно було надійно закріплене в робочому положенні.
6. При нормальній роботі інструмент вібрує. Гвинти можуть швидко розбаватися, що призведе до поломи або поранення. Перед початком роботи слід перевірити міцність затягування гвинтів.
7. Під час холодної погоди або якщо інструмент довго не використовувався, його слід розігріти, давши попрацювати якийсь час на холостому ході. Це розм'якшить мастило. Якщо не провести розігрів, працювати з інструментом буде важко.
8. Обов'язково забезпечте надійну опору. При виконанні робіт з інструментом на висоті переконайтеся, що внизу нікого немає.
9. Міцно тримайте інструмент обома руками.
10. Не наближайте руки до деталей, що рухаються.
11. Не залишайте без нагляду інструмент, який працює. Працюйте з інструментом, тільки тримаючи його в руках.
12. Під час роботи ніколи не спрямовуйте інструмент на людину, що перебуває поруч із місцем роботи. Свердло може вискочити та завдати серйозної травми.

13. Не слід торкатися свердла, частин, що примикають до нього, або робочої деталі одразу після використання інструмента: вони можуть бути дуже гарячими та призвести до опіку шкіри.
14. Деякі матеріали мають у своєму складі токсичні хімічні речовини. Будьте обережні, щоб не допустити вдихання пилу та його контакту зі шкірою. Дотримуйтеся правил техніки безпеки виробника матеріалу.
15. Заборонено торкатися штепселя мокрими руками.

### ЗБЕРІГАЙТЕ ЦІ ВКАЗІВКИ.

**▲ ПОПЕРЕДЖЕННЯ:** НІКОЛИ НЕ втрачайте пильності та не розслабляйтеся під час користування виробом (що можливо при частому використанні); обов'язково строго дотримуйтеся відповідних правил безпеки. **НЕНАЛЕЖНЕ ВИКОРИСТАННЯ** або недотримання правил техніки безпеки, викладених у цій інструкції з експлуатації, може призвести до серйозних травм.

### ОПИС РОБОТИ

**▲ ОБЕРЕЖНО:** Перед тим як регулювати або перевіряти функціональність інструмента, обов'язково переконайтеся, що інструмент вимкнено й від'єднано від електромережі.

### Дія вмикача

**▲ ОБЕРЕЖНО:** Перед тим як підключити інструмент до мережі, обов'язково переконайтеся, що курок вмикача належним чином спрацьовує та повертається в положення «ВИМК.», коли його відпускають.

Щоб увімкнути інструмент, просто натисніть на курок вмикача. Швидкість інструмента зростає, якщо збільшити тиск на курок вмикача. Щоб зупинити роботу, відпустіть курок вмикача.

► Рис.1: 1. Курок вмикача

### Увімкнення переднього підсвічування

Лише для моделей HR3011FC HR3012FC

**▲ ОБЕРЕЖНО:** Не дивіться на світло або безпосередньо на джерело світла.

Для того щоб увімкнути підсвічування, натисніть на курок вмикача. Щоб вимкнути, відпустіть курок вмикача.

► Рис.2: 1. Лампа

**ПРИМІТКА:** Для очищення скла лампи підсвічування протріть її сухою тканиною. Будьте обережні, щоб не подряпати скло лампи підсвічування, тому що це погіршить освітлювання.

## Робота перемикача реверсу

**⚠ ОБЕРЕЖНО:** Перед початком роботи обов'язково перевіряйте напрям обертання.

**⚠ ОБЕРЕЖНО:** Перемикач реверсу можна використовувати тільки після повної зупинки інструмента. Зміна напрямку обертання до повної зупинки інструмента може призвести до його пошкодження.

**УВАГА:** Під час зміни напрямку обертання важіль перемикача реверсу слід повністю посунути в бік **A** чи бік **B**. В іншому випадку в разі натискання курка вмикача двигун не запуститься або інструмент не працюватиме належним чином.

Цей інструмент обладнано перемикачем реверсу для зміни напрямку обертання. Для обертання за годинниковою стрілкою важіль перемикача реверсу слід пересунути в бік **A**, проти годинникової стрілки – у бік **B**.

► **Рис.3:** 1. Важіль перемикача реверсу



## Заміна швидкороз'ємного патрона для SDS-plus

*Тільки для HR3012FC*

Швидкороз'ємний патрон для SDS-plus можна легко замінити на швидкороз'ємний патрон свердла.




## Зняття швидкороз'ємного патрона для SDS-plus

**⚠ ОБЕРЕЖНО:** Перш ніж знімати швидкороз'ємний патрон для SDS-plus, обов'язково зніміть свердло.

Візьміться за змінну кришку швидкороз'ємного патрона для SDS-plus і поверніть її в напрямку, вказаному стрілкою, щоб лінія кришки перемістилася з символу  до символу . Із силою потягніть у напрямку, вказаному стрілкою.

► **Рис.4:** 1. Швидкороз'ємний патрон для SDS-plus  
2. Змінна кришка 3. Лінія змінної кришки

## Установлення швидкороз'ємного патрона свердла

Перевірте, щоб на лінії швидкороз'ємного патрона свердла було вказано символ . Візьміться за змінну кришку швидкороз'ємного патрона свердла та поверніть лінію до символу . Установіть швидкороз'ємний патрон свердла на шпindelь інструмента. Візьміться за змінну кришку швидкороз'ємного патрона свердла та повертайте її до символу  доки не почуєте виразне клацання.


► **Рис.5:** 1. Швидкороз'ємний патрон свердла  
2. Шпindelь 3. Лінія змінної кришки  
4. Змінна кришка

## Вибір режиму роботи

**УВАГА:** Забороняється повертати ручку зміни режиму роботи, коли інструмент працює. Інструмент може пошкодитись.


**УВАГА:** Для запобігання швидкому зносові механізму зміни режиму слід перевіряти, щоб ручка зміни режиму завжди була переключена в один із трьох режимів роботи.

## Обертання з відбиванням

Для свердління у бетоні, кладці тощо поверніть ручку зміни режиму роботи, встановивши її на символ . Використовуйте свердло з наконечником із карбїду вольфраму (додаткове приладдя).


► **Рис.6:** 1. Обертання з відбиванням 2. Ручка зміни режиму роботи

## Тільки обертання

Для свердління дерева, металу або пластмаси слід перемкнути ручку зміни режиму роботи на символ . Використовуйте спіральне свердло або свердло для деревини.

► **Рис.7:** 1. Тільки обертання

## Тільки відбивання

Під час виконання операцій із додання, шкребіння або демонтажу слід повернути ручку зміни режиму таким чином, щоб покажчик вказував на символ . Використовуйте пірамідальне долото, шлюсарне зубило, зубило для додання тощо.

► **Рис.8:** 1. Тільки відбивання

## Обмежувач моменту

**УВАГА:** Відразу після спрацювання обмежувача моменту інструмент слід негайно вимикати. Це допоможе запобігти передчасному зносу інструмента.

**УВАГА:** Свердла, які легко защемляються або застрягають в отворі (наприклад, кільцева пилка), не підходять для використання з цим інструментом. Це призведе до занадто частого спрацювання обмежувача моменту.

Обмежувач моменту спрацьовує, коли досягнуто момент певної величини. Двигун відключає зчеплення з вихідним валом. Коли це трапляється, свердло перестає обертатись.

## Електронні функції

Для полегшення роботи інструмент обладнано електронними функціями.

- Контроль постійної швидкості  
Функція контролю швидкості забезпечує постійну швидкість обертання, незалежно від умов навантаження.

## Повітряний канал

Лише для моделей HR3011FC HR3012FC

**⚠ ОБЕРЕЖНО:** Не вставляйте пальці чи інші об'єкти в повітряний канал. Недотримання цієї вимоги може призвести до травмування або пошкодження інструмента.

Повітряний канал з'єднаний із системою збирання пилу. Перш ніж використовувати систему збирання пилу, перегляньте розділ про систему збирання пилу.

► **Рис.9:** 1. Повітряний канал

## ЗБОРКА

**⚠ ОБЕРЕЖНО:** Перед виконанням будь-яких робіт з інструментом обов'язково вимкніть його та відключіть від електромережі.

## Бокова рукоятка (допоміжна ручка)

**⚠ ОБЕРЕЖНО:** Для забезпечення безпечної експлуатації обов'язково використовуйте бокову рукоятку.

**⚠ ОБЕРЕЖНО:** Після встановлення або регулювання бокової рукоятки слід переконатись, що вона надійно зафіксована.

Для встановлення бокової рукоятки виконайте зазначені нижче дії.

1. Послабте гвинт із накатаною головкою на боковій рукоятці.

► **Рис.10:** 1. Гвинт із накатаною головкою

2. Установіть бокову рукоятку, натискаючи гвинт із накатаною головкою, щоб виступи на ручці увійшли в пази на циліндричній частині інструмента.

► **Рис.11:** 1. Гвинт із накатаною головкою

3. Затягніть гвинт із накатаною головкою, щоб закріпити рукоятку. Рукоятку можна зафіксувати під необхідним кутом.

## Масило

Заздалегідь змастіть свердло невеликою кількістю мастила (приблизно 0,5—1 г).

Таке змащення патрона забезпечує гладку роботу та довший термін служби.

## Установлення та зняття свердла

Очистіть свердло та нанесіть мастило, перш ніж встановлювати його.

► **Рис.12:** 1. Хвостовик 2. Мастило

Вставте свердло в інструмент. Проверніть свердло та просуньте його, доки воно не стане на місце. Після встановлення слід переконатися, що свердло вставлено надійно. Для цього спробуйте витягнути його.

► **Рис.13:** 1. Свердло

Щоб зняти свердло, потягніть униз кришку патрона та витягніть свердло.

► **Рис.14:** 1. Свердло 2. Кришка патрона

## Кут долота (під час довшання, шкребіння або демонтажу)

Долото можна закріпити під необхідним кутом. Для зміни кута долота слід повернути ручку зміни режиму роботи в положення символу O. Встановіть долото під необхідним кутом.

► **Рис.15:** 1. Ручка зміни режиму роботи

Поверніть ручку зміни режиму роботи на символ T. Потім, злегка повернувши долото, переконайтеся, що воно надійно встановлене.

## Обмежувач глибини

Обмежувач глибини зручно використовувати для свердління отворів однакової глибини. Натисніть кнопку блокування й, утримуючи її, вставте обмежувач глибини в шестигранний отвір. Переконайтеся в тому, що зазубрена сторона обмежувача глибини збігається з відміткою.

► **Рис.16:** 1. Обмежувач глибини 2. Кнопка блокування 3. Відмітка 4. Зазубрена сторона

Відрегулюйте положення обмежувача глибини, поворушивши його назад і вперед, натискаючи в цей момент кнопку блокування. Відрегулювавши обмежувач, відпустіть кнопку блокування, щоб зафіксувати його.

**ПРИМІТКА:** Переконайтеся, що під час установлення обмежувача глибини не торкається корпусу інструмента.

## Пилозахисний ковпачок

### Додаткове обладнання

Використовуйте пилозахисний ковпачок для запобігання падінню пилу на інструмент та на себе під час свердління. Установіть пилозахисний ковпачок на свердло, як показано на малюнку. Розміри свердел, на які можна встановлювати пилозахисний ковпачок такі.

модель	Діаметр свердла
Пилозахисний ковпачок 5	6 — 14,5 мм
Пилозахисний ковпачок 9	12 — 16 мм

► **Рис.17:** 1. Пилозахисний ковпачок

## Комплект пилозахисних ковпачків

### Додаткове обладнання

## Для моделей HR3011FC, HR3001C

**УВАГА:** Під час використання комплекту пилозахисних ковпачків HR3011FC, HR3001C також потрібна проміжна вставка.

Перед установленням комплекту пилозахисних ковпачків витягніть свердло з інструмента, якщо воно там є.

Прикріпіть проміжну вставку до комплекту пилозахисних ковпачків.  $\Delta$  символ на пилозахисному ковпачку суміщено з пазом у проміжній вставці.

► **Рис.18:** 1. Проміжна вставка 2.  $\Delta$  Символ 3. Паз

Установіть комплект пилозахисних ковпачків із проміжною вставкою на інструмент таким чином, щоб символ  $\triangle$  на пилозахисному ковпачку перебував на одній лінії з пазом на інструменті.

► **Рис.19:** 1.  $\triangle$  Символ 2. Паз

Щоб зняти комплект пилозахисних ковпачків, зніміть свердло, одночасно просуваючи кришку патрона в напрямку, вказаному стрілкою.

► **Рис.20:** 1. Свердло 2. Кришка патрона

Візьміться за корінь пилозахисного ковпачка та витягніть його.

► **Рис.21**

## Для моделі HR3012FC

Перед установленням комплекту пилозахисних ковпачків витягніть свердло з інструмента, якщо воно там є.

Установіть комплект пилозахисних ковпачків на інструмент, так щоб символ  $\triangle$  на пилозахисному ковпачку знаходився на одній лінії з пазом на інструменті.

► **Рис.22:** 1.  $\triangle$  Символ 2. Паз

Щоб зняти комплект пилозахисних ковпачків, зніміть свердло, одночасно просуваючи кришку патрона в напрямку, вказаному стрілкою.

► **Рис.23:** 1. Свердло 2. Кришка патрона

Візьміться за корінь пилозахисного ковпачка та витягніть його.

► **Рис.24**

**ПРИМІТКА:** Якщо необхідно підключити пилосос до комплекту пилозахисних ковпачків, зніміть ковпачок перед підключенням.

► **Рис.25:** 1. Пилозахисний ковпачок

**ПРИМІТКА:** Якщо ковпачок від'єднується від пилозахисного ковпачка, установіть його перфорованою частиною догори таким чином, щоб паз на ковпачку ввійшов до внутрішньої периферії приладдя.

► **Рис.26**

## Пристрій для підвішування інструмента

### Додаткове обладнання

**▲ПОПЕРЕДЖЕННЯ:** Не використовуйте пошкоджений пристрій для підвішування інструмента й гвинт.

**▲ПОПЕРЕДЖЕННЯ:** Використовуйте лише гвинт, який входить до комплекту пристрою для підвішування інструмента.

**▲ПОПЕРЕДЖЕННЯ:** Перед використанням пристрою для підвішування інструмента огляньте його на наявність пошкоджень, тріщин та деформацій і переконайтеся, що гвинт затягнуто.

**▲ОБЕРЕЖНО:** Установлюйте або знімайте пристрій для підвішування інструмента на стійкому столі або іншій стійкій поверхні.

Пристрій для підвішування інструмента призначений для під'єднання стропа (страхувального ремня). Для установки пристрою для підвішування інструмента виконайте вказані далі дії.

1. Від'єднайте штекер від джерела живлення.

2. Вставте виступи пристрою для підвішування інструмента в отвори на інструменті.

3. Надійно затягніть гвинти.

► **Рис.27:** 1. Пристрій для підвішування інструмента 2. Отвір 3. Виступ 4. Гвинт

## СИСТЕМА ЗБИРАННЯ ПИЛУ

Лише для моделей HR3011FC HR3012FC

### Додаткове обладнання

Система збирання пилу призначена для забезпечення ефективного збирання пилу під час свердління бетону.

► **Рис.28:** 1. Система збирання пилу

**▲ОБЕРЕЖНО:** Перед виконанням будь-яких робіт з інструментом обов'язково вимкніть його й від'єднайте від електромережі. Недотримання цієї вимоги може призвести до травм унаслідок випадкового запуску інструмента.

**▲ОБЕРЕЖНО:** Завжди встановлюйте фільтр на систему збирання пилу. Невиконання цієї умови призведе до вдихання пилу.

**▲ОБЕРЕЖНО:** Переконайтеся, що фільтр не пошкоджений. Невиконання цієї умови може призвести до вдихання пилу.

**УВАГА:** Не використовуйте систему збирання пилу для колонкового свердління або довбання. Система збирання пилу призначена лише для свердління.

**УВАГА:** Не використовуйте систему збирання пилу для свердління металу або деревини. Система збирання пилу призначена лише для бетону.

**УВАГА:** Не використовуйте систему збирання пилу для свердління вологого бетону чи для свердління у вологому середовищі. Невиконання цієї умови може призвести до несправності системи.

**ПРИМІТКА:** Система збирання пилу на високій швидкості збирає пил, що утворюється, але вона може зібрати не весь пил.

## Установлення й знімання системи збирання пилу

**УВАГА:** Перед установленням системи збирання пилу очистьте місця з'єднання на інструменті й систему збирання пилу.

Засмічення місць з'єднання може ускладнити встановлення системи збирання пилу. Зокрема, засмічення електричних з'єднань може призвести до несправності інструмента.

Якщо в повітряному каналі залишаться пил, цей пил потрапить усередину інструмента й призведе до порушення циркуляції повітря або виходу інструмента з ладу.

Зачепіть систему збирання пилу гачками за виїмки інструмента, а потім вставте її до упору таким чином, щоб вона зафіксувалася з тихим подвійним клацанням.

Після цього переконайтеся в надійності встановлення системи збирання пилу.

► **Рис.29:** 1. Повітряний канал

Під час знімання системи збирання пилу натисніть кнопку розблокування.

► **Рис.30:** 1. Кнопка блокування у вимкненому положенні

## Регулювання положення сопла системи збирання пилу

**⚠ОБЕРЕЖНО:** Не направляйте сопло на себе чи на інших людей під час натискання кнопки регулювання напрямної для розблокування сопла.

Натисніть на напрямну, одночасно натискаючи кнопку регулювання напрямної, і відпустіть кнопку регулювання напрямної, коли напрямна стане в потрібне положення.

► **Рис.31:** 1. Напрямна 2. Кнопка регулювання напрямної

## Регулювання глибини свердління на системі збирання пилу

Посуньте кнопку регулювання глибини в потрібне положення, натискаючи її. Відстань (A) відповідає глибині свердління.

► **Рис.32:** 1. Кнопка регулювання глибини

## Очищення фільтра від пилу

**⚠ОБЕРЕЖНО:** Не повертайте диск на корпусі для збору пилу, якщо корпус від'єднано від системи збирання пилу. Це може призвести до вдихання пилу.

**⚠ОБЕРЕЖНО:** Завжди вимикайте інструмент, перш ніж повернути диск на корпусі для збору пилу. Повертання цього диска під час роботи інструмента може призвести до втрати контролю над інструментом.

Завдяки очищенню фільтра від пилу всередині корпусу для збору пилу можна підтримувати ефективність очищення пиლოსосом на належному рівні й знизити кількість операцій із видалення пилу. Повертайте диск на корпусі для збору пилу три рази після збору кожних 50 000 мм<sup>3</sup> пилу або коли вважаєте, що якість очищення пиლოსосом знизилася.

**ПРИМІТКА:** 50 000 мм<sup>3</sup> пилу дорівнює кількості пилу після просвердлювання 10 отворів діаметром 10 мм і 14 мм глибиною (2 отворів діам. 65" й 3/8" глибиною).

► **Рис.33:** 1. Корпус для збору пилу 2. Диск

## Видалення пилу

**⚠ОБЕРЕЖНО:** Надягайте пилозахисну маску під час видалення пилу.

**⚠ОБЕРЕЖНО:** Регулярно спорожняйте корпус для збирання пилу, перш ніж він наповниться. Невиконання цієї умови може призвести до погіршення роботи системи збирання пилу й до вдихання пилу.

**⚠ОБЕРЕЖНО:** Рекомендовано замінити фільтр новим після того, як корпус для збору пилу заповниться приблизно 200 разів. Засмічення фільтра призведе до погіршення роботи системи збирання пилу й до вдихання пилу.

**УВАГА:** Під час очищення фільтра злегка торкніться корпусу фільтра рукою для видалення пилу. Не торкайтеся безпосередньо фільтра; не торкайтеся фільтра щіткою або аналогічними пристроями й не направляйте потік стисненого повітря на фільтр. Це може пошкодити фільтр.

1. Зніміть коробку для пилу, натиснувши важіль коробки для пилу.

► **Рис.34:** 1. Важіль

2. Відкрийте кришку коробки для пилу.

► **Рис.35:** 1. Кришка

3. Видаліть пил, а потім очистьте фільтр.

► **Рис.36**

## Заміна фільтра коробки для пилу

1. Зніміть корпус для збору пилу, натиснувши важіль корпусу для збору пилу. (Див. розділ, що стосується видалення пилу.)

2. Відкрийте кришку фільтра корпусу для збору пилу.

► **Рис.37:** 1. Кришка фільтра

3. Зніміть фільтр із корпусу фільтра.

► **Рис.38:** 1. Фільтр 2. Корпус фільтра

4. Установіть новий фільтр у корпус фільтра, потім встановіть кришку фільтра.

5. Закрийте кришку контейнера для збирання пилу й прикріпіть контейнер для збирання пилу до системи збирання пилу.



## Заміна ущільнювальної кришки

Якщо ущільнювальна кришка зношена, якість роботи системи збирання пилу погіршується. Замініть її, якщо вона зношена.

Зніміть ущільнювальну кришку, а потім приєднайте нову, так щоб виступ на ній був спрямований угору.

► **Рис.39:** 1. Виступ 2. Ущільнювальна кришка

## РОБОТА

**▲ ОБЕРЕЖНО:** Обов'язково використовуйте бокову рукоятку (допоміжна ручка) та міцно тримайте інструмент за бокову рукоятку та ручку з вимикачем під час роботи.

**▲ ОБЕРЕЖНО:** Перед початком роботи переконайтеся, що робочі деталі надійно зафіксовані.

**▲ ОБЕРЕЖНО:** Не витягайте інструмент силоміць, навіть якщо наконечник застряг. Втрата контролю над інструментом може призвести до травмування.


**▲ ОБЕРЕЖНО:** Лише для моделей HR3011FC HR3012FC

Перш ніж використовувати систему збирання пилу з інструментом, перегляньте розділ про систему збирання пилу.

► **Рис.40**

## Робота в режимі ударного свердління

**▲ ОБЕРЕЖНО:** Під час пробивання отвору до інструмента/свердла прикладається величезне зусилля, коли отвір забивається уламками та частинками або у разі удару свердла об арматуру в бетоні. **Обов'язково використовуйте бокову рукоятку (допоміжна ручка) та міцно тримайте інструмент за бокову рукоятку та ручку з вимикачем під час роботи.** Недотримання цієї вимоги може призвести до втрати контролю над інструментом та важкого травмування.


Встановіть режим роботи, повернувши ручку, щоб вона вказувала на символ .

Приставте свердло до місця, у якому необхідно зробити отвір, а потім натисніть на курок вимикача. Не прикладайте силу до інструмента. Невеликий тиск забезпечує найліпші результати. Тримайте інструмент у належному положенні та не давайте йому вискочити з отвору.

Не збільшуйте тиск, коли отвір забивається уламками та частинками. Натомість прокрутіть інструмент на холостому ході, а потім частково вийміть свердло з отвору. Якщо це зробити декілька разів, отвір очиститься, і можна буде продовжити нормальне свердління.

**ПРИМІТКА:** Якщо інструмент працює без навантаження, під час роботи може спостерігатися ексцентричність в обертанні свердла. Під час роботи інструмент автоматично центрується. На точність свердління це не впливає.

## Довбання/Шкребіння/Демонтаж

Встановіть режим роботи, повернувши ручку, щоб вона вказувала на символ .

Міцно тримайте інструмент обома руками.

Увімкнуйте інструмент, злегка натисніть на нього, щоб він безконтрольно не хитався.

Сильне натискання на інструмент не підвищує ефективності.

► **Рис.41**

## Свердління деревини або металу

**▲ ОБЕРЕЖНО:** Слід тримати інструмент міцно та бути обережним, коли свердло починає входити в оброблювану деталь. Під час пробивання отвору до інструмента/свердла прикладається величезне зусилля.


**▲ ОБЕРЕЖНО:** Свердло, яке застрягло, можна легко видалити, встановивши важіль перемикача реверсу на зворотний напрямок обертання, щоб отримати задній хід. Але якщо інструмент не тримати міцно, він може різко відскочити.

**▲ ОБЕРЕЖНО:** Оброблювану деталь обов'язково необхідно затискати в щелях або подібному пристрої фіксації.

**УВАГА:** Ніколи не використовуйте «обертання з відбійною дією», коли на інструменті встановлений патрон свердла. Патрон свердла може бути пошкоджений.

Патрон свердла також знімається, якщо увімкнути зворотний хід.

**УВАГА:** Прикладання до інструмента надмірного тиску не пришвидшує свердління. Насправді надмірний тиск може лише пошкодити свердло, погіршити характеристики інструмента та скоротити термін його експлуатації.

Поверніть ручку зміни режиму роботи, щоб вона вказувала на символ .

## Для моделей HR3011FC, HR3001C

### Додаткове обладнання

Приєднайте адаптер патрона до патрона свердла, що не потребує ключа, на який можна встановити гвинт на 1/2"-20, а потім установіть усе на інструмент. Під час його встановлення слід звертатися до розділу «Установлення та зняття свердла».

► **Рис.42:** 1. Патрон свердла, що не потребує ключа 2. Адаптер патрона

## Для моделі HR3012FC

У якості стандартного обладнання слід використовувати швидкокороз'ємний патрон свердла. Під час установлення див. розділ «Заміна швидкокороз'ємного патрона для SDS-plus».


Щоб відкрити кулачки патрона, поверніть муфту проти годинникової стрілки, втримуючи кільце. Уставте свердло в патрон до упору. Щоб затягнути патрон, поверніть муфту за годинниковою стрілкою, міцно утримуючи кільце.

► **Рис.43:** 1. Муфта 2. Кільце

Щоб зняти свердло, поверніть муфту проти годинникової стрілки, втримуючи кільце.

## Свердління алмазним свердлом

**УВАГА:** Якщо свердління виконується алмазним свердлом у режимі «обертання з відбиванням», то свердло з алмазним осердям може бути пошкоджено.

Під час свердління свердлом з алмазним осердям слід завжди пересувати ручку зміни режиму роботи в положення  для використання режиму «тільки обертання».

## Повітродувка

### Додаткове обладнання

Коли отвір буде просвердлено, можна очистити його від пилу повітродувкою.

► Рис.44

## Використання комплекту пилозахисних ковпачків

### Додаткове обладнання

Прикріпіть комплект пилозахисних ковпачків до стелі, коли використовуєте інструмент.

► Рис.45

**УВАГА:** Не використовуйте комплект пилозахисних ковпачків для свердління металу або подібних матеріалів. Це може пошкодити комплект пилозахисних ковпачків унаслідок впливу тепла від дрібного металевого пилу чи подібних речовин.

**УВАГА:** Не встановлюйте та не знімайте комплект пилозахисних ковпачків, якщо свердло знаходиться в інструменті. Це може пошкодити комплект пилозахисних ковпачків і призвести до витoku пилу.

## Під'єднання стропа (страхувального ремня) до пристрою для підвішування інструмента

**Інструкції з техніки безпеки робіт на висоті** Ознайомтеся зі всіма застереженнями стосовно техніки безпеки та інструкціями. Недотримання відповідних застережень та інструкцій може призвести до серйозних травм.

1. Під час виконання робіт на висоті обов'язково користуйтеся страхувальним ремнем для фіксації інструмента. Максимальна довжина стропа становить 2 м. Максимальна допустима висота падіння для стропа (страхувального ремня) не повинна перевищувати 2 м.
2. Із цим інструментом слід використовувати тільки спеціальні стропи, розраховані на навантаження не менше 7,5 кг.

3. Не прикріплюйте строп інструмента до елементів одягу або до рухливих деталей. Прикріпіть строп інструмента до жорсткої конструкції, яка може витримати вагу інструменту, що падає.
4. Перед використанням переконайтеся в тому, що строп надійно закріплений з кожного кінця.
5. Перевіряйте інструмент і строп перед кожним використанням на предмет справності та пошкоджень (включаючи стан тканини та швів). Не використовуйте пошкоджене або несправне приладдя.
6. Не огортайте стропа навколо предметів з гострими або зазубленими краями і не допускайте контакту стропів з такими предметами.
7. Прикріпіть інший кінець стропа за межами робочої зони таким чином, щоб інструмент, що падає, надійно фіксувався.
8. Прикріпіть строп таким чином, щоб у разі падіння інструмент рухався в протилежному від оператора напрямку. Інструменти, що впали, розгойдуватимуться на стропах, що може призвести до травми або втрати балансу.
9. Не використовувати поблизу рухомих частин або обладнання, що працює. Недотримання цієї вимоги може призвести до механічних пошкоджень або заплутування.
10. Не переносьте інструмент, тримаючи за кріпильне пристосування або строп.
11. Перекладайте інструмент з однієї руки в іншу тільки перебуваючи в стійкому положенні.
12. Прикріплюючи стропа до інструмента, стежте за тим, щоб вони не перешкоджали нормальній роботі перемикачів або механізмів блокування курка (якщо входить до комплекту).
13. Не допускайте заплутування в стропах.
14. Тримайте строп на відстані від зони свердління інструмента.
15. Використовуйте універсальні карабіни та карабіни з гвинтовим замком. Не використовуйте карабіни одnobічної дії з пружинним фіксатором.
16. Інструмент, що впав, слід позначити, припинити його експлуатацію та відправити на завод або до авторизованого сервісного центру Makita для перевірки.

► Рис.46: 1. Пристрій для підвішування інструмента 2. Строп (страхувальний ремінь)

# ТЕХНІЧНЕ ОБСЛУГОВУВАННЯ

**⚠ ОБЕРЕЖНО:** Перш ніж проводити огляд або технічне обслуговування інструмента, переконайтеся, що його вимкнено й від'єднано від мережі.

**УВАГА:** Ніколи не використовуйте газолін, бензин, розріджувач, спирт та подібні речовини. Їх використання може призвести до зміни кольору, деформації або появи тріщин.

Для забезпечення БЕЗПЕКИ та НАДІЙНОСТІ продукції, її ремонт, а також роботи з обслуговування або регулювання повинні виконуватись уповноваженими або заводськими сервісними центрами Makita із використанням запчастин виробництва компанії Makita.

## ДОДАТКОВЕ ПРИЛАДДЯ

**⚠ ОБЕРЕЖНО:** Це додаткове та допоміжне обладнання рекомендовано використовувати з інструментом Makita, зазначеним у цій інструкції з експлуатації. Використання будь-якого іншого додаткового та допоміжного обладнання може становити небезпеку травмування. Використовуйте додаткове та допоміжне обладнання лише за призначенням.

У разі необхідності отримати допомогу в більш детальному ознайомленні з оснащенням звертайтеся до місцевого сервісного центру Makita.

- Свердла з твердосплавним наконечником (свердла з твердосплавним наконечником SDS-Plus)
- Колонкове свердло
- Пірамідальне долото
- Свердло з алмазним осердям
- Слюсарне зубило
- Зубило для довбання
- Канавкове зубило
- Адаптер патрона
- Патрон свердла, що не потребує ключа
- Мастило для свердла
- Обмежувач глибини
- Повітродувка
- Пилозахисний ковпачок
- Комплект пилозахисних ковпачків
- Проміжна вставка (для HR3011FC, HR3001C)
- Система збирання пилу (для моделей HR3011FC, HR3012FC)
- Захисні окуляри
- Пристрій для підвішування інструмента

**ПРИМІТКА:** Деякі елементи списку можуть входити до комплекту інструмента як стандартне приладдя. Вони можуть відрізнитися залежно від країни.

## ТЕХНИЧЕСКИЕ ХАРАКТЕРИСТИКИ

Модель:		HR3011FC	HR3012FC	HR3001C
Диаметр	Бетон	30 мм		
	Колонковое долото	80 мм		
	Колонковое алмазное долото (сухого типа)	80 мм		
	Сталь	13 мм		
	Дерево	32 мм		
Число оборотов без нагрузки		0 - 840 мин <sup>-1</sup>		
Ударов в минуту		0 - 4 500 мин <sup>-1</sup>		
Общая длина		369 мм	386 мм	369 мм
Масса нетто		4,4 - 4,8 кг	4,5 - 4,8 кг	4,1 - 4,6 кг
Класс безопасности		□/II		

### Дополнительные принадлежности

Модель:	DX10 (для HR3011FC)	DX11 (для HR3012FC)
Подходящие материал и режим работы	Только для сверления бетона (не подходит для металла и дерева, а также для колонкового сверления и долбления долотом)	
Производительность на всасывании	0,35 л/мин	
Рабочий ход	До 190 мм	
Подходящая головка сверла	До 265 мм	
Масса нетто	1,2 кг	

- Благодаря нашей постоянно действующей программе исследований и разработок указанные здесь технические характеристики могут быть изменены без предварительного уведомления.
- Технические характеристики могут различаться в зависимости от страны.
- Масса может отличаться в зависимости от дополнительного оборудования. В таблице представлены комбинации с наибольшей и наименьшей массой в соответствии с процедурой EPTA 01/2014.

### Назначение

Данный инструмент предназначен для ударного сверления и сверления кирпича, бетона и камня, а также для обработки зубилом.

Он также подходит для безударного сверления дерева, металла, керамики и пластмассы.

### Источник питания

Данный инструмент должен подключаться к источнику питания с напряжением, соответствующим напряжению, указанному на идентификационной пластине, и может работать только от однофазного источника переменного тока. Он имеет двойную изоляцию и поэтому может подключаться к розеткам без заземления.

### Шум

Типичный уровень взвешенного звукового давления (A), измеренный в соответствии с EN60745-2-6:

#### Модель HR3011FC

Уровень звукового давления ( $L_{pA}$ ): 94 дБ (A)

Уровень звуковой мощности ( $L_{WA}$ ): 105 дБ (A)

Погрешность (K): 3 дБ (A)

#### Модель HR3012FC

Уровень звукового давления ( $L_{pA}$ ): 93 дБ (A)

Уровень звуковой мощности ( $L_{WA}$ ): 104 дБ (A)

Погрешность (K): 3 дБ (A)

#### Модель HR3001C

Уровень звукового давления ( $L_{pA}$ ): 94 дБ (A)

Уровень звуковой мощности ( $L_{WA}$ ): 105 дБ (A)

Погрешность (K): 3 дБ (A)

#### Модель HR3011FC с DX10

Уровень звукового давления ( $L_{pA}$ ): 96 дБ (A)

Уровень звуковой мощности ( $L_{WA}$ ): 107 дБ (A)

Погрешность (K): 3 дБ (A)

#### Модель HR3012FC с DX11

Уровень звукового давления ( $L_{pA}$ ): 94 дБ (A)

Уровень звуковой мощности ( $L_{WA}$ ): 105 дБ (A)

Погрешность (K): 3 дБ (A)

**ПРИМЕЧАНИЕ:** Заявленное значение распространения шума измерено в соответствии со стандартной методикой испытаний и может быть использовано для сравнения инструментов.

**ПРИМЕЧАНИЕ:** Заявленное значение распространения шума можно также использовать для предварительных оценок воздействия.

**⚠ОСТОРОЖНО:** Используйте средства защиты слуха.

**⚠ОСТОРОЖНО:** Распространение шума во время фактического использования электроинструмента может отличаться от заявленного значения в зависимости от способа применения инструмента и в особенности от типа обрабатываемой детали.

**⚠ОСТОРОЖНО:** Обязательно определите меры безопасности для защиты оператора, основанные на оценке воздействия в реальных условиях использования (с учетом всех этапов рабочего цикла, таких как выключение инструмента, работа без нагрузки и включение).

## Вибрация

В таблице ниже приведено суммарное значение вибрации (сумма векторов по трем осям), определенное в соответствии с применимым стандартом.

### Модель HR3011FC

Рабочий режим	Распространение вибрации	Погрешность (К)	Применимый стандарт
Ударное сверление бетона ( $a_{h, HD}$ )	9,5 м/с <sup>2</sup>	1,5 м/с <sup>2</sup>	EN60745-2-6
Ударное сверление бетона с помощью DX10 ( $a_{h, HD}$ )	9,5 м/с <sup>2</sup>	1,5 м/с <sup>2</sup>	EN60745-2-6
Обработка зубилом с использованием боковой ручки ( $a_{h, CHec}$ )	6,0 м/с <sup>2</sup>	1,5 м/с <sup>2</sup>	EN60745-2-6
Сверление металла ( $a_{h, D}$ )	5,5 м/с <sup>2</sup>	1,5 м/с <sup>2</sup>	EN62841-2-1

### Модель HR3012FC

Рабочий режим	Распространение вибрации	Погрешность (К)	Применимый стандарт
Ударное сверление бетона ( $a_{h, HD}$ )	9,5 м/с <sup>2</sup>	1,5 м/с <sup>2</sup>	EN60745-2-6
Ударное сверление бетона с помощью DX11 ( $a_{h, HD}$ )	8,0 м/с <sup>2</sup>	1,5 м/с <sup>2</sup>	EN60745-2-6
Обработка зубилом с использованием боковой ручки ( $a_{h, CHec}$ )	5,5 м/с <sup>2</sup>	1,5 м/с <sup>2</sup>	EN60745-2-6
Сверление металла ( $a_{h, D}$ )	6,0 м/с <sup>2</sup>	1,5 м/с <sup>2</sup>	EN62841-2-1

### Модель HR3001C

Рабочий режим	Распространение вибрации	Погрешность (К)	Применимый стандарт
Ударное сверление бетона ( $a_{h, HD}$ )	13,5 м/с <sup>2</sup>	1,5 м/с <sup>2</sup>	EN60745-2-6
Обработка зубилом с использованием боковой ручки ( $a_{h, CHec}$ )	11,0 м/с <sup>2</sup>	1,5 м/с <sup>2</sup>	EN60745-2-6
Сверление металла ( $a_{h, D}$ )	6,0 м/с <sup>2</sup>	1,5 м/с <sup>2</sup>	EN62841-2-1

**ПРИМЕЧАНИЕ:** Заявленное общее значение распространения вибрации измерено в соответствии со стандартной методикой испытаний и может быть использовано для сравнения инструментов.

**ПРИМЕЧАНИЕ:** Заявленное общее значение распространения вибрации можно также использовать для предварительных оценок воздействия.

**⚠ОСТОРОЖНО:** Распространение вибрации во время фактического использования электроинструмента может отличаться от заявленного значения в зависимости от способа применения инструмента и в особенности от типа обрабатываемой детали.

**⚠ОСТОРОЖНО:** Обязательно определите меры безопасности для защиты оператора, основанные на оценке воздействия в реальных условиях использования (с учетом всех этапов рабочего цикла, таких как выключение инструмента, работа без нагрузки и включение).

## Декларация о соответствии ЕС

*Только для европейских стран*

Декларация о соответствии ЕС включена в руководство по эксплуатации (Приложение А).

## МЕРЫ БЕЗОПАСНОСТИ

### Общие рекомендации по технике безопасности для электроинструментов

**⚠ОСТОРОЖНО:** Ознакомьтесь со всеми представленными инструкциями по технике безопасности, указаниями, иллюстрациями и техническими характеристиками, прилагаемыми к данному электроинструменту. Несоблюдение каких-либо инструкций, указанных ниже, может привести к поражению электрическим током, пожару и/или серьезной травме.

## Сохраните брошюру с инструкциями и рекомендациями для дальнейшего использования.

Термин "электроинструмент" в предупреждениях относится ко всему инструменту, работающему от сети (с проводом) или на аккумуляторах (без провода).

### ПРАВИЛА ТЕХНИКИ БЕЗОПАСНОСТИ ПРИ ОБРАЩЕНИИ С ПЕРФОРАТОРОМ

1. Обязательно используйте средства защиты слуха. Воздействие шума может привести к потере слуха.
2. Используйте дополнительную ручку (если входит в комплект инструмента). Утрата контроля над инструментом может привести к травме.
3. Если при выполнении работ существует риск контакта режущего инструмента со скрытой электропроводкой или собственным шнуром питания, держите электроинструмент за специально предназначенные изолированные поверхности. Контакт с проводом под напряжением может стать причиной поражения оператора током.
4. Надевайте защитную каску (защитный шлем), защитные очки и/или защитную маску для лица. Обычные или солнцезащитные очки НЕ ЯВЛЯЮТСЯ защитными очками. Также настоятельно рекомендуется надевать противопылевой респиратор и перчатки с толстыми подкладками.
5. Перед выполнением работ убедитесь в надежном креплении головки сверла.
6. При нормальной эксплуатации инструмент может вибрировать. Винты могут раскрутиться, что приведет к поломке или несчастному случаю. Перед эксплуатацией тщательно проверяйте затяжку винтов.
7. В холодную погоду, или если инструмент не использовался в течение длительного периода времени, дайте инструменту немного прогреться, включив его без нагрузки. Это размягчит смазку. Без надлежащего прогрева ударное действие будет затруднено.
8. При выполнении работ всегда занимайте устойчивое положение. При использовании инструмента на высоте убедитесь в отсутствии людей внизу.
9. Крепко держите инструмент обеими руками.
10. Руки должны находиться на расстоянии от движущихся деталей.
11. Не оставляйте работающий инструмент без присмотра. Включайте инструмент только тогда, когда он находится в руках.
12. При выполнении работ не направляйте инструмент на кого-либо, находящегося в месте выполнения работ. Головка сверла может выскользнуть и травмировать других людей.
13. Сразу после окончания работ не прикасайтесь к обрабатываемой детали, головке сверла или к деталям в непосредственной близости от нее. Головка сверла может быть очень горячей и обжечь кожу.

14. Некоторые материалы могут содержать токсичные химические вещества. Примите соответствующие меры предосторожности, чтобы избежать вдыхания или контакта с кожей таких веществ. Соблюдайте требования, указанные в паспорте безопасности материала.
15. Не прикасайтесь к разъему электропитания мокрыми руками.

### СОХРАНИТЕ ДАННЫЕ ИНСТРУКЦИИ.

**⚠ОСТОРОЖНО:** НЕ ДОПУСКАЙТЕ, чтобы удобство или опыт эксплуатации данного устройства (полученный от многократного использования) доминировали над строгим соблюдением правил техники безопасности при обращении с этим устройством. НЕПРАВИЛЬНОЕ ИСПОЛЬЗОВАНИЕ инструмента или несоблюдение правил техники безопасности, указанных в данном руководстве, может привести к тяжелой травме.

### ОПИСАНИЕ РАБОТЫ

**⚠ВНИМАНИЕ:** Перед регулировкой или проверкой функций инструмента обязательно убедитесь, что он выключен и его вилка вынута из розетки.

#### Действие выключателя

**⚠ВНИМАНИЕ:** Перед включением инструмента в розетку обязательно убедитесь, что триггерный переключатель работает надлежащим образом и возвращается в положение "ВЫКЛ", если его отпустить.

Для запуска инструмента просто нажмите на триггерный переключатель. Для увеличения числа оборотов нажмите триггерный переключатель сильнее. Отпустите триггерный переключатель для остановки.

► Рис.1: 1. Триггерный переключатель

#### Включение передней лампы

Только для моделей HR3011FC HR3012FC

**⚠ВНИМАНИЕ:** Не смотрите непосредственно на свет или источник света.

Для включения лампы потяните триггерный переключатель. Отпустите триггерный переключатель для отключения лампы.

► Рис.2: 1. Подсветка

**ПРИМЕЧАНИЕ:** Для удаления пыли с линзы лампы используйте сухую ткань. Не допускайте возникновения царапин на линзе лампы, так как это приведет к снижению освещенности.

## Действие реверсивного переключателя

**ВНИМАНИЕ:** Перед работой всегда проверьте направление вращения.

**ВНИМАНИЕ:** Используйте реверсивный переключатель только после полной остановки инструмента. Изменение направления вращения до полной остановки инструмента может привести к его повреждению.

**ПРИМЕЧАНИЕ:** При изменении направления вращения рычаг реверсивного переключателя следует полностью сдвинуть в сторону А или в сторону В. Несоблюдение этого требования может привести к тому, что при нажатии триггерного переключателя двигатель не запустится или инструмент не будет работать надлежащим образом.

Этот инструмент оборудован реверсивным переключателем для изменения направления вращения. Переместите рычаг реверсивного переключателя в сторону А для вращения по часовой стрелке или в сторону В для вращения против часовой стрелки.

► **Рис.3:** 1. Рычаг реверсивного переключателя



## Смена быстро сменяемого патрона для SDS-plus

*Только для HR3012FC*

Быстро сменяемый патрон для SDS-plus можно быстро заменить на быстро сменяемый сверлильный патрон.




## Снятие быстро сменяемого патрона для SDS-plus

**ВНИМАНИЕ:** Перед снятием быстро сменяемого патрона для SDS-plus обязательно извлеките сверло.

Возьмитесь за сменную крышку быстро сменяемого патрона для SDS-plus и поворачивайте ее в направлении стрелки, пока линия сменной крышки не переместится с символа  на символ .

► **Рис.4:** 1. Быстро сменяемый патрон для SDS-plus 2. Сменная крышка 3. Линия сменной крышки

## Установка быстро сменяемого сверлильного патрона

Убедитесь, что линия быстро сменяемого сверлильного патрона указывает на символ . Возьмитесь за сменную крышку быстро сменяемого сверлильного патрона и установите линию на символ . Установите быстро сменяемый сверлильный патрон на шпindelь инструмента. Возьмитесь за сменную крышку быстро сменяемого сверлильного патрона и поворачивайте линию сменной крышки к символу , пока не услышите четкий щелчок.


► **Рис.5:** 1. Быстро сменяемый сверлильный патрон 2. Шпindelь 3. Линия сменной крышки 4. Сменная крышка

## Выбор режима действия

**ПРИМЕЧАНИЕ:** Не поворачивайте ручку изменения режима работы во время работы инструмента. Это приведет к поломке инструмента.

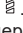
**ПРИМЕЧАНИЕ:** Во избежание быстрого износа механизма изменения режима следите за тем, чтобы ручка изменения режима работы всегда точно находилась в одном из трех положений режима действия.

## Вращение с ударным действием

Для сверления бетона, кирпичной кладки и т.п. поверните ручку изменения режимов работы в положение . Используйте головку сверла с наколочником из карбида вольфрама (дополнительная принадлежность).

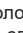
► **Рис.6:** 1. Вращение с ударным действием 2. Ручка изменения режима работы

## Только вращение

Для сверления дерева, металла или пластмасс поверните ручку изменения режимов работы в положение . Используйте спиральное сверло или сверло по дереву.

► **Рис.7:** 1. Только вращение

## Только ударное действие

Для расщепления, скобления или разрушения конструкций поверните ручку переключения режимов работы в положение . Используйте пирамидальное долото, слесарное зубило, резец и т.п.

► **Рис.8:** 1. Только ударное действие

## Ограничитель крутящего момента

**ПРИМЕЧАНИЕ:** При срабатывании ограничителя крутящего момента немедленно выключите инструмент. Это поможет предотвратить преждевременный износ инструмента.

**ПРИМЕЧАНИЕ:** Такие головки сверла, как кольцевая пила, которые могут быть легко защемлены в отверстии, не подходят для данного инструмента. Такие насадки вызывают частое срабатывание ограничителя крутящего момента.

Ограничитель крутящего момента срабатывает при достижении определенного уровня крутящего момента. Электродвигатель отсоединится от выходного вала. Когда это произойдет, головка сверла перестанет вращаться.

## Электронная функция

Для простоты эксплуатации инструмент оснащен электронными функциями.

- Постоянный контроль скорости. Функция контроля скорости обеспечивает неизменное число оборотов независимо от нагрузки.

## Воздушный канал

Только для моделей HR3011FC HR3012FC

**ВНИМАНИЕ:** Не вставляйте в воздушный канал пальцы или другие объекты. Несоблюдение этого требования может привести к травме или повреждению инструмента.

Воздушный канал соединяется с системой пылеулавливания. Перед использованием системы пылеулавливания ознакомьтесь с разделом, посвященным системе пылеулавливания.

► **Рис.9:** 1. Воздушный канал

## СБОРКА

**ВНИМАНИЕ:** Перед проведением каких-либо работ с инструментом обязательно проверяйте, что инструмент выключен, а шнур питания вынут из розетки.

### Боковая ручка (вспомогательная рукоятка)

**ВНИМАНИЕ:** Для обеспечения безопасности во время работ всегда используйте боковую ручку.

**ВНИМАНИЕ:** После установки или регулировки боковой ручки убедитесь в надежности ее крепления.

Для установки боковой ручки выполните указанные ниже действия.

1. Ослабьте барашковый винт на боковой ручке.

► **Рис.10:** 1. Барашковый винт

2. Устанавливайте боковую ручку, нажимая барашковый винт, чтобы выступы на ручке вошли в пазы на цилиндрической части инструмента.

► **Рис.11:** 1. Барашковый винт

3. Затяните барашковый винт, чтобы закрепить ручку. Ручку можно закрепить под нужным углом.

### Смазка

Смажьте хвостовик головки сверла заранее небольшим количеством смазки для головки сверла (примерно 0,5 - 1 г). Такая смазка патрона обеспечивает равномерную работу и увеличивает срок службы.

### Установка или снятие головки сверла

Перед установкой головки сверла очистите хвостовик и смажьте его.

► **Рис.12:** 1. Хвостовик 2. Смазка

Вставьте головку сверла в инструмент. Поверните головку сверла и нажмите, чтобы зафиксировать. После установки убедитесь в надежной фиксации головки сверла, для чего потяните за нее.

► **Рис.13:** 1. Головка сверла

Чтобы снять головку сверла, нажмите вниз на крышку патрона и вытащите головку сверла.

► **Рис.14:** 1. Головка сверла 2. Крышка патрона

## Угол зубила (при расщеплении, скоблении или разрушении)

Зубило можно закрепить под нужным углом. Для изменения угла зубила поверните ручку переключения режимов работы в положение O. Поверните зубило на необходимый угол.

► **Рис.15:** 1. Ручка изменения режима работы

Установите ручку переключения режимов в положение T. Затем, слегка повернув зубило, убедитесь, что оно надежно закреплено.

## Глубиномер

Глубиномер удобен для сверления отверстий одинаковой глубины.

Нажмите и удерживайте кнопку замка, затем поместите глубиномер в шестигранное отверстие. Убедитесь в том, что сторона глубиномера с зубцами направлена на соответствующую метку.

► **Рис.16:** 1. Глубиномер 2. Кнопка блокировки 3. Метка 4. Сторона с зубцами

Отрегулируйте положение глубиномера, двигая его вперед и назад, одновременно нажав и удерживая кнопку замка. Отрегулировав положение, отпустите кнопку замка, чтобы зафиксировать глубиномер.

**ПРИМЕЧАНИЕ:** Во время присоединения убедитесь, что глубиномер не касается корпуса инструмента.

## Колпак для пыли

### Дополнительные принадлежности

Используйте колпак для пыли для предотвращения падения пыли на инструмент и на вас при выполнении сверления над головой. Прикрепите колпак для пыли к сверлу, как показано на рисунке. Размер сверл, к которым можно прикрепить колпак для пыли, следующий.

Модель	Диаметр сверла
Колпак для пыли 5	6 мм - 14,5 мм
Колпак для пыли 9	12 мм - 16 мм

► **Рис.17:** 1. Колпак для пыли

## Колпак для пыли в сборе

### Дополнительные принадлежности

### Для моделей HR3011FC, HR3001C

**ПРИМЕЧАНИЕ:** При использовании колпака для пыли в сборе HR3011FC, HR3001C также требуется проставка.

Перед установкой колпака для пыли в сборе снимите с инструмента сверло, если оно было на него установлено.

Прикрепите проставку к колпаку для пыли в сборе. Символ  $\Delta$  на колпаке для пыли совмещен с пазом в проставке.

► **Рис.18:** 1. Проставка 2.  $\Delta$  символ 3. Паз



Установите колпак для пыли в сборе с проставкой на инструмент таким образом, чтобы символ  $\Delta$  на колпаке для пыли был совмещен с пазом инструмента.

► **Рис.19:** 1.  $\Delta$  символ 2. Паз

Чтобы снять колпак для пыли в сборе, снимите сверло, при этом тяните крышку патрона по направлению стрелки.

► **Рис.20:** 1. Сверло 2. Крышка патрона

Возьмитесь за основание колпака для пыли и потяните.

► **Рис.21**

## Для модели HR3012FC

Перед установкой колпака для пыли в сборе снимите с инструмента сверло, если оно было на него установлено.

Установите колпак для пыли в сборе на инструмент таким образом, чтобы символ  $\Delta$  на колпаке для пыли был совмещен с пазом инструмента.

► **Рис.22:** 1.  $\Delta$  символ 2. Паз

Чтобы снять колпак для пыли в сборе, снимите сверло, при этом тяните крышку патрона по направлению стрелки.

► **Рис.23:** 1. Сверло 2. Крышка патрона

Возьмитесь за основание колпака для пыли и потяните.

► **Рис.24**

**ПРИМЕЧАНИЕ:** В случае использования пылесоса совместно с колпаком для пыли в сборе перед подсоединением снимите крышку колпака для пыли.

► **Рис.25:** 1. Крышка колпака для пыли

**ПРИМЕЧАНИЕ:** Если крышка отсоединилась от колпака для пыли, прикрепите ее так, чтобы сторона с печатью была направлена вверх, а выступ на крышке располагался внутри периметра дополнительного оборудования.

► **Рис.26**

## Крючок для подвешивания инструмента

### Дополнительные принадлежности

**⚠ОСТОРОЖНО:** Не используйте поврежденные крючок для подвешивания инструмента и винт.

**⚠ОСТОРОЖНО:** Используйте только тот винт, который идет в комплекте с крючком для подвешивания инструмента.

**⚠ОСТОРОЖНО:** Перед использованием крючка для подвешивания инструмента осмотрите его на предмет повреждений, трещин и деформации и убедитесь, что винт затянут.

**⚠ВНИМАНИЕ:** Устанавливайте или снимайте крючок для подвешивания инструмента на столе или другой устойчивой поверхности.

Крючок для подвешивания инструмента предназначен для подсоединения стропа (страховочного ремня). Для установки крючка для подвешивания инструмента выполните указанные далее действия.

1. Отсоедините штекер от источника питания.
2. Вставьте выступы крючка для подвешивания инструмента в отверстия инструмента.
3. Надежно затяните винты.

► **Рис.27:** 1. Крючок для подвешивания инструмента 2. Отверстие 3. Выступ 4. Винт

## СИСТЕМА ПЫЛЕУЛАВЛИВАНИЯ

Только для моделей HR3011FC HR3012FC

### Дополнительные принадлежности

Система пылеулавливания предназначена для эффективного улавливания пыли при сверлении бетона.

► **Рис.28:** 1. Система пылеулавливания

**⚠ВНИМАНИЕ:** Перед проведением каких-либо работ с инструментом обязательно убедитесь, что инструмент выключен и отсоединен от розетки. Несоблюдение этого требования может стать причиной травмы из-за случайного включения инструмента.

**⚠ВНИМАНИЕ:** Всегда устанавливайте фильтр на систему пылеулавливания. Несоблюдение этого требования приведет к вдыханию пыли.

**⚠ВНИМАНИЕ:** Убедитесь в том, что фильтр не поврежден. Несоблюдение этого требования может привести к вдыханию пыли.

**ПРИМЕЧАНИЕ:** Не используйте систему пылеулавливания для колонкового сверления и долбления долотом. Система пылеулавливания предназначена только для сверления.

**ПРИМЕЧАНИЕ:** Не используйте систему пылеулавливания при сверлении металла или дерева. Система пылеулавливания предназначена только для бетона.

**ПРИМЕЧАНИЕ:** Не используйте систему пылеулавливания для сверления влажного бетона или в условиях повышенной влажности. Несоблюдение этого требования может привести к поломке.

**ПРИМЕЧАНИЕ:** Система пылеудаления рассчитана на удаление значительного объема образующейся пыли, однако она не может удалить всю пыль.

## Установка или снятие системы пылеудаления

**ПРИМЕЧАНИЕ:** Перед установкой системы пылеулавливания очистите места соединения на инструменте и систему пылеулавливания.

Наличие сора на местах соединения может мешать установке системы пылеулавливания. В частности, наличие сора на электрических соединениях может стать причиной неисправности.

Если на воздушном канале останется пыль, эта пыль попадет внутрь инструмента и станет причиной нарушения циркуляции воздуха и поломки инструмента.

Зацепите систему пылеулавливания крючками за выемки в инструменте, а затем вставьте систему пылеулавливания до упора таким образом, чтобы она зафиксировалась с негромким двойным щелчком.

После этого убедитесь в надежности установки системы пылеулавливания.

► **Рис.29:** 1. Воздушный канал

При снятии системы пылеулавливания нажмите кнопку разблокирования.

► **Рис.30:** 1. Кнопка блокировки в выключенном положении

## Регулировка положения сопла системы пылеулавливания

**ВНИМАНИЕ:** Не направляйте сопло на себя или других людей при нажатии кнопки регулировки направляющей для его разблокирования.

Задвигайте направляющую, нажимая кнопку регулировки направляющей, затем отпустите кнопку регулировки направляющей в нужном положении.

► **Рис.31:** 1. Направляющая 2. Кнопка регулировки направляющей

## Регулировка глубины сверления на системе пылеулавливания

Сдвиньте кнопку регулировки глубины в нужное положение, нажав ее. Расстояние (А) обозначает глубину сверления.

► **Рис.32:** 1. Кнопка регулировки глубины

## Очистка фильтра от пыли

**ВНИМАНИЕ:** Не поворачивайте диск на корпусе для сбора пыли, если корпус для сбора пыли отсоединен от системы пылеулавливания. Это может привести к вдыханию пыли.

**ВНИМАНИЕ:** Обязательно выключайте инструмент, прежде чем повернуть диск на корпусе для сбора пыли. Поворот этого диска при работающем инструменте может привести к потере контроля над инструментом.

Благодаря очистке фильтра от пыли внутри корпуса для сбора пыли можно сохранить эффективность очистки пылесосом и снизить количество операций по удалению пыли.

Поворачивайте регулятор на корпусе для сбора пыли три раза после сбора каждых 50 000 мм<sup>3</sup> пыли или когда чувствуете, что качество очистки пылесосом снизилось.

**ПРИМЕЧАНИЕ:** 50 000 мм<sup>3</sup> пыли равно количеству пыли после просверливания 10 отверстий диаметром 10 мм и 14 мм глубиной (2 отверстия диам. 65 дюйма и 3/8 дюйма глубиной).

► **Рис.33:** 1. Корпус для сбора пыли 2. Регулятор со шкалой

## Удаление пыли

**ВНИМАНИЕ:** Обязательно надевайте пылезащитную маску при удалении пыли.

**ВНИМАНИЕ:** Регулярно очищайте корпус для сбора пыли, не дожидаясь его заполнения. Несоблюдение этого требования может привести к снижению эффективности сбора пыли и вдыханию пыли.

**ВНИМАНИЕ:** Рекомендуется заменять фильтр новым после 200 заполнений пылесборника. Засорение фильтра приведет к снижению эффективности сбора пыли и вдыханию пыли.

**ПРИМЕЧАНИЕ:** При очистке фильтра слегка коснитесь корпуса фильтра рукой для удаления пыли. Не прикасайтесь к самому фильтру; не прикасайтесь к фильтру щеткой или аналогичными приспособлениями и не направляйте поток сжатого воздуха на фильтр. Это может повредить фильтр.

1. Снимите корпус для сбора пыли при нажатии рычага корпуса.

► **Рис.34:** 1. Рычаг

2. Откройте крышку корпуса для сбора пыли.

► **Рис.35:** 1. Крышка

3. Удалите пыль, затем очистите фильтр.

► **Рис.36**

## Замена фильтра корпуса для сбора пыли

1. Снимите корпус для сбора пыли, удерживая нажатым рычаг корпуса для сбора пыли. (См. раздел, посвященный удалению пыли.)

2. Откройте крышку фильтра корпуса для сбора пыли.

► **Рис.37:** 1. Крышка фильтра

3. Снимите фильтр с корпуса фильтра.

► **Рис.38:** 1. Фильтр 2. Корпус фильтра

4. Установите новый фильтр в корпус фильтра, затем установите крышку фильтра.

5. Закройте крышку корпуса для сбора пыли и прикрепите контейнер для сбора пыли к системе пылеулавливания.

## Замена уплотнительной крышки

Износ уплотнительной крышки ухудшает процесс сбора пыли. При износе замените ее. Снимите уплотнительную крышку, затем установите новую крышку выступом вверх.

► **Рис.39:** 1. Выступ 2. Уплотнительная крышка

## ЭКСПЛУАТАЦИЯ

**▲ВНИМАНИЕ:** Всегда пользуйтесь боковой ручкой (вспомогательной рукояткой) и при работе крепко держите инструмент и за боковую ручку, и за ручку с выключателем.

**▲ВНИМАНИЕ:** Перед началом работы всегда проверяйте надежность закрепления рабочей детали.

**▲ВНИМАНИЕ:** Не тяните инструмент силой, даже если головка застряла. Потеря контроля над инструментом может привести к травме.


**▲ВНИМАНИЕ:** Только для моделей HR3011FC HR3012FC

Перед использованием инструмента с системой пылеулавливания ознакомьтесь с разделом, посвященным системе пылеулавливания.

► **Рис.40**

## Сверление с ударным действием

**▲ВНИМАНИЕ:** Когда инструмент/головка сверла начинает выходить из материала при завершении отверстия или когда отверстие забивается стружкой или частицами, а также при попадании на прутки арматуры при сверлении бетона, возникает огромное мгновенное усилие на инструмент/головку сверла. **Всегда пользуйтесь боковой ручкой (вспомогательной рукояткой) и при работе крепко держите инструмент и за боковую ручку, и за ручку с выключателем.** Несоблюдение данного требования может привести к потере контроля над инструментом и серьезной травме.

Поверните ручку изменения режима работы к символу .

Расположите головку сверла в желаемом положении в отверстии, затем нажмите триггерный переключатель. Не прилагайте излишних усилий к инструменту. Небольшое усилие на инструмент приводит к лучшим результатам. Удерживайте инструмент на месте и не допускайте его соскальзывания с места выполнения отверстия.

Не применяйте дополнительное давление, если отверстие засорено щепками или посторонними частицами. Вместо этого дайте инструменту поработать вхолостую и затем частично вытащите головку сверла из отверстия. Если эту процедуру проделать несколько раз, отверстие очистится и можно будет возобновить обычное сверление.

**ПРИМЕЧАНИЕ:** При работе с инструментом без нагрузки может наблюдаться эксцентricичность головки сверла при вращении. Инструмент осуществляет автоматическую центровку в ходе его эксплуатации. Это не влияет на точность сверления.

## Расщепление/Скобление/Разрушение

Поверните ручку изменения режима работы к символу .

Крепко держите инструмент обеими руками. Включите инструмент и немного надавите на него, чтобы предотвратить неконтролируемое подпрыгивание инструмента.

Слишком сильное нажатие на инструмент не повысит эффективность.

► **Рис.41**

## Сверление дерева или металла

**▲ВНИМАНИЕ:** Крепко удерживайте инструмент и будьте осторожны, когда головка сверла начинает проходить сквозь обрабатываемую деталь. В момент выхода головки сверла из детали возникает огромное усилие на инструмент/сверло.


**▲ВНИМАНИЕ:** Заклинившая головка сверла может быть без проблем извлечена из обрабатываемой детали путем изменения направления вращения при помощи реверсивного переключателя. Однако если вы не будете крепко держать инструмент, он может резко сдвинуться назад.

**▲ВНИМАНИЕ:** Всегда закрепляйте обрабатываемые детали в тисках или аналогичном зажимном устройстве.

**ПРИМЕЧАНИЕ:** Запрещается использовать режим "вращения с ударным действием", если на инструменте установлен сверлильный патрон. Это может привести к повреждению сверлильного патрона.

Кроме того, при изменении направления вращения сверлильный патрон отсоединится.

**ПРИМЕЧАНИЕ:** Чрезмерное нажатие на инструмент не ускорит сверление. На самом деле, чрезмерное давление только повредит наконечник головки сверла, снизит производительность инструмента и сократит срок его службы.

Поверните ручку изменения режима работы к символу .

## Для моделей HR3011FC, HR301C

### Дополнительные принадлежности

Прикрепите переходник патрона к сверлильному патрону без ключа, на который можно установить винт 1/2"-20, затем установите их на инструмент. При его установке обратитесь к разделу "Установка или снятие головки сверла".

► **Рис.42:** 1. Сверлильный патрон без ключа  
2. Переходник патрона

## Для модели HR3012FC

Используйте в качестве стандартного оборудования быстро сменяемый сверлильный патрон. Процедура его установки описана в разделе «Замена быстро сменяемого патрона для SDS-plus».


Удерживайте кольцо и поверните втулку против часовой стрелки для освобождения кулачков зажимного патрона. Вставьте сверло в зажимной патрон как можно глубже. Крепко удерживая кольцо, поверните втулку по часовой стрелке для затяжки патрона.

► Рис.43: 1. Муфта 2. Кольцо

Чтобы снять сверло, удерживайте кольцо и поверните муфту против часовой стрелки.

## Сверление колонковым алмазным долотом

**ПРИМЕЧАНИЕ:** Если выполнять работы колонковым алмазным долотом с использованием режима "вращение с ударным действием", колонковое алмазное долото можно повредить.

При сверлении колонковым алмазным долотом всегда переводите кольцо изменения режима работы в положение  для использования режима "только вращение".

## Груша для продувки

### Дополнительные принадлежности

После сверления отверстия воспользуйтесь грушей для продувки, чтобы удалить пыль из отверстия.

► Рис.44

## Использование колпака для пыли в сборе

### Дополнительные принадлежности

Во время эксплуатации инструмента колпак для пыли в сборе должен быть установлен параллельно потолку.

► Рис.45

**ПРИМЕЧАНИЕ:** Не используйте колпак для пыли в сборе при сверлении металла или аналогичного материала. Это может привести к повреждению колпака для пыли в сборе нагретыми металлическими или подобными частицами.

**ПРИМЕЧАНИЕ:** Не устанавливайте и не снимайте колпак для пыли в сборе при установленной на инструмент головке сверла. Это может привести к повреждению колпака для пыли в сборе и утечке пыли.

## Подсоединение стропа (страховочного ремня) к крючку для подвешивания инструмента

### ▲ Инструкции по технике безопасности работ на высоте

Ознакомьтесь со всеми предупреждениями и инструкциями по технике безопасности.

Несоблюдение требований предупреждений и инструкций может привести к серьезным травмам.

1. При выполнении работ на высоте обязательно используйте страховочный ремень для фиксации инструмента. Максимальная длина стропа составляет 2 м. Максимальная допустимая высота падения для стропа (страховочного ремня) не должна превышать 2 м.
2. С этим инструментом следует использовать только специальные стропы, рассчитанные на нагрузку не менее 7,5 кг.
3. Не прикрепляйте строп инструмента к элементам одежды или к подвижным деталям. Прикрепите строп инструмента к жесткой конструкции, которая может выдержать вес падающего инструмента.
4. Перед использованием убедитесь в том, что строп надежно закреплен со всех концов.
5. Проверяйте инструмент и строп перед каждым использованием на предмет исправности и отсутствия повреждений (включая состояние ткани и швов). Не используйте поврежденные или неисправные приспособления.
6. Не оборачивайте стропы вокруг предметов с острыми или зазубренными краями и не допускайте соприкосновения стропов с такими предметами.
7. Прикрепите другой конец стропа за пределами рабочей зоны таким образом, чтобы падающий инструмент надежно фиксировался.
8. Прикрепите строп таким образом, чтобы в случае падения инструмент двигался в противоположном от оператора направлении. Упавшие инструменты будут раскачиваться на стропе, что может привести к травме или потере баланса.
9. Не используйте вблизи движущихся частей или работающего оборудования. Несоблюдение этого требования может привести к механическим повреждениям или запутыванию.
10. Не переносите инструмент, держа за крепежное приспособление или строп.
11. Переключайте инструмент из одной руки в другую только находясь в устойчивом положении.
12. Прикрепляя стропы к инструменту, следите за тем, чтобы они не препятствовали нормальной работе переключателей или механизмов блокировки триггерных переключателей (при наличии).
13. Не допускайте запутывания в стропе.

14. Держите строп на расстоянии от зоны сверления инструмента.
  15. Используйте универсальные карабины и карабины с винтовым замком. Не используйте карабины одностороннего действия с пружинным фиксатором.
  16. Если инструмент упал, его следует помечать, прекратить его эксплуатацию и отправить на завод или в авторизованный сервисный центр Makita для проверки.
- **Рис.46:** 1. Крючок для подвешивания инструмента 2. Строп (страховочный ремень)

- Глубиномер
- Груша для продувки
- Колпак для пыли
- Колпак для пыли в сборе
- Проставка (для HR3011FC, HR3001C)
- Система пылеулавливания (для моделей HR3011FC, HR3012FC)
- Защитные очки
- Крючок инструмента

**ПРИМЕЧАНИЕ:** Некоторые элементы списка могут входить в комплект инструмента в качестве стандартных приспособлений. Они могут отличаться в зависимости от страны.

## ОБСЛУЖИВАНИЕ

**⚠ВНИМАНИЕ:** Перед осмотром или проведением техобслуживания убедитесь, что инструмент выключен, а штекер отсоединен от розетки.

**ПРИМЕЧАНИЕ:** Запрещается использовать бензин, растворители, спирт и другие подобные жидкости. Это может привести к обесцвечиванию, деформации и трещинам.

Для обеспечения БЕЗОПАСНОСТИ и НАДЕЖНОСТИ оборудования ремонт, любое другое техобслуживание или регулировку необходимо производить в уполномоченных сервис-центрах Makita или сервис-центрах предприятия с использованием только сменных частей производства Makita.

## ДОПОЛНИТЕЛЬНЫЕ ПРИНАДЛЕЖНОСТИ

**⚠ВНИМАНИЕ:** Данные принадлежности или приспособления рекомендуются для использования с инструментом Makita, указанным в настоящем руководстве. Использование других принадлежностей или приспособлений может привести к получению травмы. Используйте принадлежность или приспособление только по указанному назначению.

Если вам необходимо содействие в получении дополнительной информации по этим принадлежностям, свяжитесь с вашим сервис-центром Makita.

- Головки сверла с твердосплавной пластиной (головки сверла с твердосплавной пластиной SDS-Plus)
- Колонковое долото
- Пирамидальное долото
- Колонковое алмазное долото
- Слесарное зубило
- Резец
- Канавочное зубило
- Переходник патрона
- Сверлильный патрон без ключа
- Смазка сверла





**Makita Europe N.V.** Jan-Baptist Vinkstraat 2,  
3070 Kortenberg, Belgium

**Makita Corporation** 3-11-8, Sumiyoshi-cho,  
Anjo, Aichi 446-8502 Japan

[www.makita.com](http://www.makita.com)

885772-967  
EN, SL, SQ, BG,  
HR, MK, SR, RO,  
UK, RU  
20200630