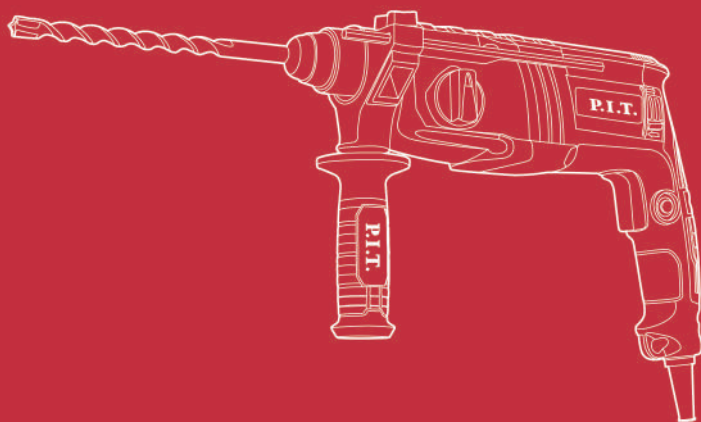


P.I.T.

PBH24-C2



ELECTRIC HAMMER DRILL

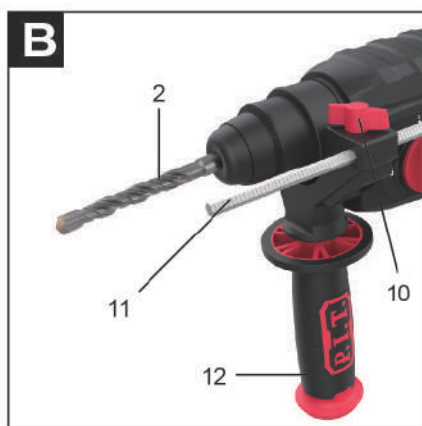
800W

**Powerful
Efficient**

Please read the instruction manual carefully before use!







English

Safety Notes

General Power Tool Safety Warnings

⚠ WARNING Read all safety warnings and all instructions. Failure to follow the warnings and instructions may result in electric shock, fire and/or serious injury. Save all warnings and instructions for future reference.

The term "power tool" in the warnings refers to your mainsoperated(corded) power tool or battery-operated (cordless) power tool.

Work area safety

- ▶ **Keep work area clean and well lit.** Cluttered or dark areas invite accidents.
- ▶ **Do not operate power tools in explosive atmospheres, such as in the presence of flammable liquids, gases or dust.** Power tools create sparks which may ignite the dust or fumes.
- ▶ **Keep children and bystanders away while operating a power tool.** Distractions can cause you to lose control.

Electrical safety

- ▶ **Power tool plugs must match the outlet. Never modify the plug in any way.** Do not use any adapter plugs with earthed (grounded) power tools. Unmodified plugs and matching outlets will reduce risk of electric shock.
- ▶ **Avoid body contact with earthed or grounded surfaces, such as pipes, radiators, ranges and refrigerators.** There is an increased risk of electric shock if your body is earthed or grounded.
- ▶ **Do not expose power tools to rain or wet conditions.** Water entering a power tool will increase the risk of electric shock.
- ▶ **Do not abuse the cord. Never use the cord for carrying, pulling or unplugging the power tool.** Keep cord away from heat, oil, sharp edges or moving parts. Damaged or entangled cords increase the risk of electric shock.
- ▶ **When operating a power tool outdoors, use an extension cord suitable for outdoor use.** Use of a cord suitable for outdoor use reduces the risk of electric shock..
- ▶ **If operating a power tool in a damp location is unavoidable, use a residual current device (RCD) protected supply.** Use of an RCD reduces the risk of electric shock.

Personal safety

- ▶ **Stay alert, watch what you are doing and use common sense when operating a power tool.** Do not use a power tool while you are tired or under the influence of drugs, alcohol or medication. A moment of inattention while operating power tools may result in serious personal injury.
- ▶ **Use personal protective equipment. Always wear eye protection.** Protective equipment such as dust mask, non-skid safety shoes, hard hat, or hearing protection used for appropriate conditions will reduce personal injuries.
- ▶ **Prevent unintentional starting. Ensure the switch is in the off position before connecting to power source and/or battery pack, picking up or carrying the tool.** Carrying power tools with your finger on the switch or energizing power tools that have the switch on invites accidents.
- ▶ **Remove any adjusting key or wrench before turning the power tool on.** A wrench or a key left attached to a rotating part of the power tool may result in personal injury.
- ▶ **Do not overreach. Keep proper footing and balance at all times.** This enables better control of the power tool in unexpected situations.
- ▶ **Dress properly. Do not wear loose clothing or jewellery.** Keep your hair, clothing and gloves away from moving parts. Loose clothes, jewellery or long hair can be caught in moving parts.
- ▶ **If devices are provided for the connection of dust extraction and collection facilities, ensure these are connected and properly used.** Use of dust collection can reduce dust related hazards.
- ▶ **A good knowledge of power tools resulting from frequent use should not lead to overconfidence and neglect of power tool safety.** One careless action in a split second can result in serious injury.
- ▶ **ATTENTION!** If an interruption occurs in the operation of the power tool due to a complete or partial loss of power or damage to the power control circuit, set the switch to the Off position, making sure it is not locked (if equipped). Unplug the mains plug or disconnect the removable battery. This prevents an uncontrolled restart.

Power tool use and care

- ▶ **Do not force the power tool. Use the correct power tool for your application.**

The correct power tool will do the job better and safer at the rate for which it was designed.

- ▶ **Do not use the power tool if the switch does not turn it on and off.** Any power tool that cannot be controlled with the switch is dangerous and must be repaired.
- ▶ **Disconnect the plug from the power source and/or the battery pack from the power tool before making any adjustments, changing accessories, or storing power tools.** Such preventive safety measures reduce the risk of starting the power tool accidentally.
- ▶ **Store idle power tools out of the reach of children and do not allow persons unfamiliar with the power tool or these instructions to operate the power tool.** Power tools are dangerous in the hands of untrained users.
- ▶ **Maintain power tools. Check for misalignment or binding of moving parts, breakage of parts and any other condition that may affect the power tool's operation.** If damaged, have the power tool repaired before use. Many accidents are caused by poorly maintained power tools.
- ▶ **Keep cutting tools sharp and clean.** Properly maintained cutting tools with sharp cutting edges are less likely to bind and are easier to control.
- ▶ **Keep handles and gripping surfaces dry and clean and free of oil or grease.** Slippery handles and gripping surfaces impede safe handling of the tool and prevent reliable control in unexpected situations.
- ▶ **The appliance is not intended for use by persons (including children) with reduced physical, sensory or mental capabilities or lack of experience or knowledge, unless they are supervised or instructed to use the appliance by a person responsible for their safety.**
- ▶ **Use the power tool, accessories and tool bits etc. in accordance with these instructions, taking into account the working conditions and the work to be performed.** Use of the power tool for operations different from those intended could result in a hazardous situation.


Hammer Safety Warnings

- ▶ **Wear ear protectors.** Exposure to noise can cause hearing loss.
- ▶ **Use auxiliary handle(s), if supplied with the tool.** Loss of control can cause personal injury.

- ▶ **Hold power tool by insulated gripping surfaces, when performing an operation where the cutting accessory may contact hidden wiring or its own cord.** Cutting accessory contacting a "live" wire may make exposed metal parts of the power tool "live" and could give the operator an electric shock.
- ▶ **Use suitable detectors to determine if utility lines are hidden in the work area or call the local utility company for assistance.** Contact with electric lines can lead to fire and electric shock. Damaging a gas line can lead to explosion. Penetrating a water line causes property damage or may cause an electric shock.
- ▶ **When working with the machine, always hold it firmly with both hands and provide for a secure stance.** The power tool is guided more secure with both hands.
- ▶ **Secure the workpiece.** A workpiece clamped with clamping devices or in a vice is held more secure than by hand.
- ▶ **Always wait until the machine has come to a complete stop before placing it down.** The tool insert can jam and lead to loss of control over the power tool.
- ▶ **Make sure the accessory can rotate freely before turning on the power tool.** When turning on the power tool with a jammed working tool, large reaction moments occur.
- ▶ **Switch off the power tool if an accessory is jammed.** Eliminate the cause of the attachment jam.
- ▶ **For drilling without hammering in wood, metal, ceramics and plastics, as well as for screwdriving, use tools without SDS-plus (for example drills with a cylindrical shank).** These tools require a keyless chuck or toothed chuck.
- ▶ **If the dust cap is damaged, it must be replaced immediately.** The dust cap prevents dust generated during drilling from entering the chuck. When installing the accessory, be careful not to damage the dust cap.
- ▶ **Dust from materials such as lead-based paints, certain types of wood, minerals and metals can harm your health and cause allergic reactions, respiratory problems and / or cancer.** Leave the processing of asbestos-containing material only to specialists.
- If possible, use a dust extractor suitable for the material.

- Ventilate your work area well.
- It is recommended to use a respirator mask with a P2 filter. Observe the regulations in force in your country for the processed materials.
- ▶ Avoid dust accumulation in the workplace. Dust can be flammable.
- ▶ To save energy, only turn on the power tool when you intend to use it.

Product Description and Specifications

 **Read all safety warnings and all instructions.** Failure to follow the warnings and instructions may result in electric shock, fire and/or serious injury.

Intended Use

The machine is intended for hammer drilling in concrete, brick and stone. It is also suitable for drilling without impact in wood (PBH24-C1), metal, ceramic and plastic. Machines with electronic control and right/left rotation are also suitable for screwdriving.

Product Features

The numbering of the product features refers to the illustration of the machine on the graphics page.

1. SDS-plus cartridge
2. Rigging
3. Dust protection cap
4. Locking sleeve
5. Rotational direction switch
6. Lock-on button for On/Off switch
7. On/Off switch
8. Mode switch
9. Mode selector switch
10. Latch of the depth gauge
11. Depth stop
12. Auxiliary handle (insulated gripping surface)
13. Handle (insulated gripping surface)

Technical parameter

Model	PBH24-C2
Rated voltage	220 V~/50 Hz
Rated output power	800 W
Rated speed	0-1520 r/min
Impact frequency	0-4760 ipm
Impact	1.7 J
Drilling diameter	24 mm
Weight	4 kg

Contents of delivery

- | | |
|-----------------------|-------|
| Electric hammer drill | 1 pc |
| Cement drill | 4 pcs |
| Auxiliary handle | 1 pc |

- | | |
|--------------------|------|
| Depth delimiter | 1 pc |
| Flat chisel | 1 pc |
| Chuck adapter | 1 pc |
| Instruction manual | 1 pc |

Note

Since the product is constantly being improved, P.I.T. reserves the right to make changes to the specifications and product specifications specified here without prior notice.

Assembly

▶ **Before any work on the machine itself, pull the mains plug.**

Auxiliary Handle

▶ **Operate your machine only with the auxiliary handle.**

Changing the position of the auxiliary handle (see figure A)

The auxiliary handle can be set to any position for a secure and low-fatigue working posture.

- Turn the bottom part of the auxiliary handle in counterclockwise direction and swivel the auxiliary handle to the desired position. Then retighten the bottom part of the auxiliary handle by turning in clockwise direction. Pay attention that the clamping band of the auxiliary handle is positioned in the groove on the housing as intended for.

Adjusting the Drilling Depth (see figure B)

The required drilling depth can be set with the depth stop.

- Loosen the bolt for the depth stop adjustment and insert the depth stop into the auxiliary handle. The knurled surface of the depth stop must face downward.
- Insert the SDS-plus drilling tool to the stop into the SDS-plus tool holder. Otherwise, the movability of the SDSplus drilling tool can lead to incorrect adjustment of the drilling depth.
- Pull out the depth stop until the distance between the tip of the drill bit and the tip of the depth stop corresponds with the desired drilling depth.
- Then tighten the bolt for the depth stop adjustment to fix the depth stop.

Inserting SDS-plus Drilling Tools (see figure C)

The SDS-plus drill chuck allows for simple and convenient changing of drilling tools without the use of additional tools.

- Clean and lightly grease the shank end of the tool.
- Insert the tool in a twisting manner into the

tool holder until it latches itself.

- Check the latching by pulling the tool.
- As a requirement of the system, the SDS-plus drilling tool can move freely. This causes a certain radial run-out at no-load, which has no effect on the accuracy of the drill hole, as the drill bit centres itself upon drilling.

Removing SDS-plus Drilling Tools (see figure D)

- Push back the locking sleeve and remove the tool.

Dust Extraction with the Dust Extraction Attachment

- ▶ **Dust from materials such as lead-containing coatings, some wood types, minerals and metal can be harmful to one's health.** Touching or breathing-in the dust can cause allergic reactions and/or lead to respiratory infections of the user or bystanders.

Certain dust, such as oak or beech dust, is considered carcinogenic, especially in connection with wood-treatment additives (chromate, wood preservative). Materials containing asbestos may only be worked by specialists.

- As far as possible, use a dust extraction system suitable for the material.
- Provide for good ventilation of the working place.
- It is recommended to wear a P2 filter-class respirator.

Observe the relevant regulations in your country for the materials to be worked.

- ▶ **Prevent dust accumulation at the work-place. Dust can easily ignite.**

Operation

Starting Operation

- ▶ **Observe correct mains voltage! The voltage of the power source must agree with the voltage specified on the name-plate of the machine.**

Setting the operating mode

With the selector switch for drilling/hammer drilling, the operating mode of the machine is selected.

To change the operating mode, press the release button and turn the drilling/hammer drilling selector switch to the desired position until it can be heard to latch.



Position for hammer drilling in concrete or stone



Position for drilling without impact in wood, metal, ceramic and plastic as well as for screwdriving



Vario-Lock position for adjustment of the chiselling position The mode selector switch does not latch in this position.



Position for chiselling

Reversing the rotational direction

The rotational direction switch is used to reverse the rotational direction of the machine. However, this is not possible with the On/Off switch actuated.

Switching On and Off

To start the machine, press the On/Off switch. To lock the On/Off switch, keep it pressed and additionally push the lock-on button.

To switch off the machine, release the On/Off switch. When the On/Off switch is locked, press it first and then release it.

Setting the Speed/Impact Rate

The speed/impact rate of the switched on power tool can be variably adjusted, depending on how far the On/Off switch is pressed. Light pressure on the On/Off switch results in low speed/impact rate. Further pressure on the switch increases the speed/impact rate.

Overload Clutch

- ▶ **If the tool insert becomes caught or jammed, the drive to the drill spindle is interrupted.** Because of the forces that occur, always hold the power tool firmly with both hands and provide for a secure stance.

- ▶ **If the power tool jams, switch the machine off and loosen the tool insert.** When switching the machine on with the drilling tool jammed, high reaction torques can occur.

Working Advice

- ▶ **Before any work on the machine itself, pull the mains plug.**

Changing the Chiselling Position (Vario-Lock)

- Changing the Chiselling Position (Vario-Lock)
- The chisel can be locked in different positions. In this manner, the optimum working position can be set for each application.
- Insert the chisel into the tool holder.
- Turn the mode selector switch to the "Vario-Lock" position.
- Turn the tool holder to the desired chisel-

ling position.

- Turn the mode selector switch to the “chiselling” position. The tool holder is now locked.
- For chiselling, set the rotation direction to right rotation.

Maintenance and service

Maintenance and cleaning

- ▶ **Unplug the power tool before handling any power tool.**
- ▶ **To ensure quality and safe operation, keep the power tool and ventilation slots clean.**

If it is necessary to change the cord to avoid a hazard, contact P.I.T or an Authorized P.I.T. Power Tool Service.

Service

- ▶ Have your power tool repaired only by qualified personnel and only with original spare parts. This ensures the safety of the power tool.

The list of authorized service centers can be viewed on the official website of P.I.T. by the link: <https://pittools.ru/services/>

Storage and transportation

Store the instrument in closed rooms with natural ventilation in a package at an air temperature from 0 ° C to + 50 ° C and an air humidity of no more than 80%.

Products can be transported by any type of closed transport in the manufacturer’s packaging or without it, while preserving the product from mechanical damage and atmospheric precipitation. Remove the accessory from the tool before transporting.

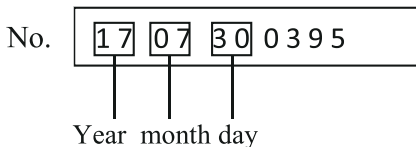
Dispose of waste



Damaged power tools, batteries, accessories and waste packaging materials must be recycled and reused in an environmentally friendly manner.

Do not throw power tools and accumulators / batteries into general household waste!

Product serial number interpretation



The first and second digits of the product serial number from left to right

Year of production, the third and fourth digits indicate the month of production, the fifth and

sixth digits indicate the production day.

TERMS OF WARRANTY SERVICE

1. This Warranty Certificate is the only document that confirms your right to free warranty service. Without presenting this certificate, no claims are accepted. In case of loss or damage, the warranty certificate is not restored.

2. The warranty period for the electric machine is 12 months from the date of sale, during the warranty period the service department eliminates manufacturing defects and replaces parts that have failed due to the fault of the manufacturer free of charge. In the warranty repair, an equivalent operable product is not provided. Replaceable parts become property of service providers.

P.I.T is not liable for any damage that may be caused by operation of the electric machine.

3. Only clean tool accompanied with the following duly executed documents: this Warranty Certificate, Warranty Card, with all fields filled out, bearing the stamp of the trade organization and the signature of the buyer, shall be accepted for warranty repair.

4. Warranty repair is not performed in the following cases:

- in the absence of a Warranty Certificate and a Warranty Card or their incorrect execution;
- with failure of both a rotor and a stator of the electric engine, charring or melting of primary winding of the welding machine transformer, charging or starting-charging device, with internal parts melting, burn down of electronic circuit boards;
- if a Warranty Certificate or a Warranty Card does not correspond to this electric machine or to the form established by the supplier;
- upon expiration of the warranty period;
- at attempts of opening or repair of the electric machine outside the warranty workshop; making constructive changes and lubrication of the tool during the warranty period, as evidenced, for example, by the creases on the spline parts of the fasteners of non-rotational parts.
- when using electric tools for production or other purposes connected with making a profit, as well as in case of malfunctions related to instability of the power network parameters exceeding the norms established by GOST;
- in the events of improper operation (use the electric machine for other than intended purposes, attachments to the electric machine of attachments, accessories, etc. not provided by the manufacturer);
- with mechanical damage to the case, pow-

er cord and in case of damages caused by aggressive agents and high and low temperatures, ingress of foreign objects in the ventilation grids of the electric machine, as well as in case of damage resulting from improper storage (corrosion of metal parts);

- natural wear and tear on the parts of the electric machine, as a result of long-term operation (determined on the basis of the signs of full or partial depletion of the specified mean life, great contamination, presence of rust outside and inside the electric machine, waste lubricant in the gearbox);
- use of the tool the purposes for other than specified in the operating instructions.
- mechanical damages to the tool;
- in the event of damages due to non-observance of the operating conditions specified in the instruction (see chapter "Safety Precautions" of the Manual).
- damage to the product due to non-observance of the rules of storage and transportation.
- in case of strong internal contamination of the tool.

Preventive maintenance of electric machines (cleaning, washing, lubrication, replacement of anthers, piston and sealing rings) during the warranty period is a paid service.

The service life of the product is 3 years. Shelf life is 2 years. It is not recommended for operation after 2 years of storage from the date of manufacture, which is indicated in the serial number on the label of the instrument, without preliminary verification (for the definition of the date of manufacture, see the User's Manual earlier).

The owner is notified of any possible violations of the above terms of warranty service upon completion of diagnostics in the service center.

The owner of the tool entrusts the diagnostic procedure to be conducted in the service center in his absence.

Do not operate the electric machine when there are signs of excessive heat, sparking, or noise in the gearbox. To determine the cause of the malfunction, the buyer should contact the warranty service center.

Malfunctons caused by late replacement of carbon brushes of the engine are eliminated at the expense of the buyer.

5. The warranty does not cover:

- replacement accessories (accessories and components), for example: batteries, discs, blades, drill bits, borers, chucks, chains,

sprockets, collet clamps, guide rails, tension and fastening elements, trimming device heads, base of grinding and belt sander machines, hexagonal heads, etc.,

- fast wearing parts, for example: carbon brushes, drive belts, seals, protective covers, guiding rollers, guides, rubber seals, bearings, toothed belts and wheels, shanks, brake belts, starter ratchets and ropes, piston rings, etc. Their replacement during the warranty period is a paid service;

- power cords, in case of damage to the insulation, power cords are subject to mandatory replacement without the consent of the owner (paid service);

- tool case.

Русский

Указания по технике безопасности

Общие указания по технике безопасности для электроинструментов

ПРЕДУПРЕЖДЕНИЕ

Прочтите все указания и инструкции по технике безопасности.

Несоблюдение указаний и инструкций по технике безопасности может стать причиной поражения электрическим током, пожара и тяжелых травм.

Сохраняйте эти инструкции и указания для будущего использования.

Использованное в настоящих инструкциях и указаниях понятие «электроинструмент» распространяется на электроинструмент с питанием от сети (с сетевым шнуром) и на аккумуляторный электроинструмент (без сетевого шнура).

Безопасность рабочего места

- ▶ **Содержите рабочее место в чистоте и хорошо освещенным.** Беспорядок или неосвещенные участки рабочего места могут привести к несчастным случаям.
- ▶ **Не работайте с этим электроинструментом во взрывоопасном помещении, в котором находятся горючие жидкости, воспламеняющиеся газы или пыль.** Электроинструменты искрят, что может привести к воспламенению пыли или паров.
- ▶ **Во время работы с электроинструментом не допускайте близко к Вашему рабочему месту детей и посторонних лиц.** Отвлечшись, Вы можете потерять контроль над электроинструментом.

Электробезопасность

- ▶ **Штепсельная вилка электроинструмента должна подходить к штепсельной розетке.** Ни в коем случае не изменяйте штепсельную вилку. **Не применяйте переходные штекеры для электроинструментов с защитным заземлением.** Неизмененные штепсельные вилки и подходящие штепсельные розетки снижают риск поражения электротоком.
- ▶ **Предотвращайте телесный контакт с заземленными поверхностями, как то: с трубами, элементами отопления, кухонными плитами и холодильниками.** При заземлении Вашего тела повышается риск поражения электротоком.
- ▶ **Защищайте электроинструмент от**

дождя и сырости. Проникновение воды в электроинструмент повышает риск поражения электротоком.

- ▶ **Не разрешается использовать шнур не по назначению, например, для транспортировки или подвески электроинструмента, или для вытягивания вилки из штепсельной розетки.** Защищайте шнур от воздействия высоких температур, масла, острых кромок или подвижных частей электроинструмента. Поврежденный или спутанный шнур повышает риск поражения электротоком.
- ▶ **При работе с электроинструментом под открытым небом применяйте пригодные для этого кабели удлинители.** Применение пригодного для работы под открытым небом кабеля удлинителя снижает риск поражения электротоком.
- ▶ **Если невозможно избежать применения электроинструмента в сыром помещении, подключайте электроинструмент через устройство защитного отключения.** Применение устройства защитного отключения снижает риск электрического поражения.

Безопасность людей

- ▶ **Будьте внимательными, следите за тем, что Вы делаете, и продуманно начинайте работу с электроинструментом.** Не пользуйтесь электроинструментом в усталом состоянии или если Вы находитесь в состоянии наркотического или алкогольного опьянения или под воздействием лекарств. Один момент невнимательности при работе с электроинструментом может привести к серьезным травмам.
- ▶ **Применяйте средства индивидуальной защиты и всегда защитные очки.** Использование средств индивидуальной защиты, как то: защитной маски, обуви на нескользящей подошве, защитного шлема или средств защиты органов слуха, – в зависимости от вида работы с электроинструментом снижает риск получения травм.
- ▶ **Предотвращайте непреднамеренное включение электроинструмента.** Перед подключением электроинструмента к электропитанию и/или к аккумулятору убедитесь в выключенном состоянии электроинструмента. Удержание пальца на выключателе при-

транспортировке и подключение к сети питания включенного электроинструмента чревато несчастными случаями.

- ▶ **Убирайте установочный инструмент или гаечные ключи до включения электроинструмента.** Инструмент или ключ, находящийся во вращающейся части электроинструмента, может привести к травмам.
- ▶ **Не принимайте неестественное положение корпуса тела. Всегда занимайте устойчивое положение и сохраняйте равновесие.** Благодаря этому Вы можете лучше контролировать электроинструмент в неожиданных ситуациях.
- ▶ **Носите подходящую рабочую одежду. Не носите широкую одежду и украшения. Держите волосы, одежду и рукавицы вдали от движущихся частей.** Широкая одежда, украшения или длинные волосы могут быть затянuty вращающимися частями.
- ▶ **При наличии возможности установки пылеотсасывающих и пылесборных устройств проверяйте их присоединение и правильное использование.** Применение пылесоса может снизить опасность, создаваемую пылью.
- ▶ **Хорошее знание электроинструментов, полученное в результате частого их использования, не должно приводить к самоуверенности и игнорированию техники безопасности обращения с электроинструментами.** Одно небрежное действие за долю секунды может привести к серьезным травмам.
- ▶ **ВНИМАНИЕ!** В случае возникновения перебоя в работе электроинструмента вследствие полного или частичного прекращения энергоснабжения или повреждения цепи управления энергоснабжением установите выключатель в положение Выкл., убедившись, что он не заблокирован (при его наличии). Отключите сетевую вилку от розетки или отсоедините съёмный аккумулятор. Этим предотвращается неконтролируемый повторный запуск.

Применение электроинструмента и обращение с ним

- ▶ **Не перегружайте электроинструмент. Используйте для Вашей работы предназначенный для этого электроинструмент.** С подходящим электроинструментом Вы работаете лучше и надежнее в указанном диапазоне мощ-

ности.

- ▶ **Не работайте с электроинструментом при неисправном выключателе.** Электроинструмент, который не поддается включению или выключению, опасен и должен быть отремонтирован.
- ▶ **До начала наладки электроинструмента, перед заменой принадлежностей и прекращением работы отключайте штепсельную вилку от розетки сети и/или выньте аккумулятор.** Эта мера предосторожности предотвращает непреднамеренное включение электроинструмента.
- ▶ **Храните электроинструменты в недоступном для детей месте. Не разрешайте пользоваться электроинструментом лицам, которые не знакомы с ним или не читали настоящих инструкций.** Электроинструменты опасны в руках неопытных лиц.
- ▶ **Тщательно ухаживайте за электроинструментом. Проверяйте безупречную функцию и ход движущихся частей электроинструмента, отсутствие поломок или повреждений, отрицательно влияющих на функцию электроинструмента. Поврежденные части должны быть отремонтированы до использования электроинструмента.** Плохое обслуживание электроинструментов является причиной большого числа несчастных случаев.
- ▶ **Держите режущий инструмент в заточенном и чистом состоянии.** Заботливо ухоженные режущие инструменты с острыми режущими кромками реже заклиниваются и их легче вести.
- ▶ **Держите ручки и поверхности захвата сухими и чистыми, следите чтобы на них чтобы на них не было жидкой или консистентной смазки.** Скользкие ручки и поверхности захвата препятствуют безопасному обращению с инструментом и не дают надежно контролировать его в непредвиденных ситуациях.
- ▶ **Прибор не предназначен для использования лицами (включая детей) с пониженными физическими, чувственными или умственными способностями или при отсутствии у них опыта или знаний, если они не находятся под контролем или не проинструктированы об использовании прибора лицом, ответственным за их**

безопасность.

- ▶ Применяйте электроинструмент, принадлежности, рабочие инструменты и т.п. В соответствии с настоящими инструкциями. Учитывайте при этом рабочие условия и выполняемую работу. Использование электроинструментов для непредусмотренных работ может привести к опасным ситуациям.
- Указания по технике безопасности для перфораторов**
- ▶ Применяйте средства защиты органов слуха. Воздействие шума может привести к потере слуха.
 - ▶ Пользуйтесь дополнительными рукоятками, входящими в объем поставки электроинструмента. Потеря контроля может привести к телесным повреждениям.
 - ▶ При выполнении работ, при которых рабочий инструмент или шуруп может задеть скрытую электропроводку или собственный шнур питания, держите электроинструмент за изолированную ручку. Контакт с находящейся под напряжением проводкой может заряжать металлические части электроинструмента и приводить к удару электрическим током.
 - ▶ Используйте соответствующие металлоискатели для нахождения скрытых в стене труб или проводки или обращайтесь за справкой в местное коммунальное предприятие. Контакт с электропроводкой может привести к пожару и поражению электротоком. Повреждение газопровода может привести к взрыву. Повреждение водопровода ведет к нанесению материального ущерба или может вызвать поражение электротоком.
 - ▶ Всегда держите электроинструмент во время работы обеими руками, заняв предварительно устойчивое положение. Двумя руками Вы работаете более надежно с электроинструментом.
 - ▶ Закрепляйте заготовку. Заготовка, установленная в зажимное приспособление или в тиски, удерживается более надежно, чем в Вашей руке.
 - ▶ Выждите полной остановки электроинструмента и только после этого выпускайте его из рук. Рабочий инструмент может заесть, и это может привести к потере контроля над электроинструментом.
- ▶ Перед включением электроинструмента убедитесь в том, что рабочий инструмент может свободно вращаться. При включении электроинструмента с заклинившим рабочим инструментом возникают большие реакционные моменты.
 - ▶ При заклинивании рабочего инструмента выключите электроинструмент. Устраните причину заклинивания рабочего инструмента.
 - ▶ Для сверления без удара в древесине, металле, керамике и синтетическом материале, а также для заворачивания применяют инструменты без SDS-plus (например, сверла с цилиндрическим хвостовиком). Для этих инструментов требуется быстрозажимной патрон или патрон с зубчатым венцом.
 - ▶ При повреждении колпачка для защиты от пыли его необходимо немедленно заменить. Колпачок для защиты от пыли предотвращает проникновение образующейся при сверлении пыли в патрон. При установке рабочего инструмента следите за тем, чтобы не повредить колпачок для защиты от пыли.
 - ▶ Пыль таких материалов, как, например, свинцовосодержащие лакокрасочные покрытия, некоторые виды древесины, минералов и металла, может нанести вред Вашему здоровью и вызвать аллергические реакции, заболевания дыхательных путей и/или рак. Поручайте обработку содержащего асбест материала только специалистам.
 - По возможности используйте пригодный для материала пылеотсос.
 - Хорошо проветривайте рабочее место.
 - Рекомендуется пользоваться респираторной маской с фильтром класса P2. Соблюдайте действующие в Вашей стране предписания для обрабатываемых материалов.
 - ▶ Избегайте скопления пыли на рабочем месте. Пыль может легко воспламеняться.
 - ▶ В целях экономии электроэнергии включайте электроинструмент только тогда, когда Вы собираетесь работать с ним.

Описание продукта и услуг

Прочтите все указания и инструкции по технике безопасности.

Упущения в отношении указаний и инструк-

ций по технике безопасности могут стать причиной поражения электрическим током, пожара и тяжелых травм.

Пожалуйста, откройте раскладную страницу с иллюстрациями электроинструмента и оставляйте ее открытой, пока Вы изучаете руководство по эксплуатации.

Применение по назначению

Электроинструмент предназначен для ударного и безударного сверления отверстий в бетоне, кирпичах и природном камне, а также для долбежных работ.

Изображенные составные части

Нумерация представленных компонентов выполнена по изображению на странице с иллюстрациями.

1. Патрон SDS-plus
2. Оснастка
3. Колпачок для защиты от пыли
4. Фиксирующая гильза
5. Переключатель направления вращения
6. Кнопка фиксирования выключателя
7. Выключатель
8. Переключатель режимов
9. Фиксатор переключателя режимов
10. Фиксатор ограничителя глубины
11. Ограничитель глубины
12. Дополнительная рукоятка (с изолированной поверхностью)
13. Рукоятка (с изолированной поверхностью)

Технические данные

Модель	PВН24-C2
Номинальные напряжение/частота	220 В / 50 Гц
Номинальная мощность	800 Вт
Частота вращения	0-1520 об/мин
Частота удара	0-4760 уд/мин
Макс. диаметр бурения (бетон)	24 мм
Сила удара	1,7 дж
Вес	4 кг

Комплект поставки

Перфоратор	1 шт
Буры	4 шт
Дополнительная рукоятка	1 шт
Ограничитель глубины сверления	1 шт
Плоское долото	1 шт
Переходник на кулачковый патрон	1 шт
Инструкция пользователя	1 шт

Примечание

Так как изделие постоянно совершенствуется, P.I.T. оставляет за собой право на внесение изменений в указанные здесь

технические характеристики и комплектацию изделия без предварительного уведомления.

Сборка

► Перед любыми манипуляциями с электроинструментом вытаскивайте штепсель из розетки.

Дополнительная рукоятка

► Пользуйтесь электроинструментом только с дополнительной рукояткой.

Поворот дополнительной рукоятки (см. рис. А)

Дополнительную рукоятку можно повернуть в любое положение, чтобы обеспечить возможность безопасной и не утомляющей работы с инструментом.

- Поверните нижнюю часть ручки дополнительной рукоятки против часовой стрелки и поставьте дополнительное рукоятку в желаемое положение. После этого поверните нижнюю часть ручки дополнительной рукоятки в направлении по часовой стрелке. Следите за тем, чтобы стягивающая лента дополнительной рукоятки находилась в предусмотренном пазу корпуса.

Настройка глубины сверления (см. рис. В)

С помощью ограничителя глубины можно установить желаемую глубину сверления.

- Ослабьте фиксатор ограничителя глубины и вставьте ограничитель в дополнительную рукоятку. Рифление на ограничителе глубины должно быть обращено вверх.
- Вставьте рабочий инструмент SDS-plus до упора в патрон SDS-plus. Смещение инструмента SDS-plus может привести к неправильной установке глубины сверления.
- Вытяните ограничитель глубины так, чтобы расстояние от вершины сверла до конца ограничителя глубины соответствовало желаемой глубине сверления.

Установка рабочего инструмента SDS-plus (см. рис. С)

С помощью патрона SDS-plus Вы можете просто и удобно сменить рабочий инструмент без применения дополнительного инструмента.

- Очистите и слегка смажьте вставляемый конец рабочего инструмента.
- Поворачивая, вставьте рабочий инструмент в патрон до автоматического фиксирования.

- Проверьте фиксацию попыткой вытянуть рабочий инструмент.

Рабочий инструмент SDS-plus имеет свободу движения, которая обусловлена системой. В результате этого на холостом ходу возникает радиальное биение. Это не имеет влияния на точность сверления, так как сверло центрируется автоматически.

Снятие рабочего инструмента SDS-plus (см. рис. D)

- Сдвиньте фиксирующую гильзу назад и выньте рабочий инструмент из патрона.
- ▶ Пыль некоторых материалов, как напр., красок с содержанием свинца, некоторых сортов древесины, минералов и металлов, может быть вредной для здоровья. Прикосновение к пыли и попадание пыли в дыхательные пути может вызвать аллергические реакции и/или заболевания дыхательных путей оператора или находящегося вблизи персонала.

Определенные виды пыли, напр., дуба и бука, считаются канцерогенными, особенно совместно с присадками для обработки древесины (хромат, средство для защиты древесины). Материал с содержанием асбеста разрешается обрабатывать только специалистам.

- По возможности используйте пригодный для материала пылеотсос.
- Хорошо проветривайте рабочее место.
- Рекомендуется пользоваться респираторной маской с фильтром класса P2.

Соблюдайте действующие в Вашей стране предписания для обрабатываемых материалов.

Работа с инструментом

Включение электроинструмента

- ▶ **Учитывайте напряжение сети! Напряжение источника тока должно соответствовать данным на заводской табличке электроинструмента.**

Установка режима работы

С помощью переключателя «Сверление/Ударное сверление» выберите режим работы электроинструмента.

- ▶ Для смены режима работы нажмите кнопку фиксирования и поверните переключатель «Сверление/Ударное сверление» в желаемое положение, в котором он слышимо фиксируется.



Положение для ударного сверления в бетоне или природном

камне



Положение **Сверление без удара** в древесине, металле, керамике и синтетических материалах, и также для закручивания/выкручивания винтов



Положение **Vario-Lock** для изменения положения зубила В этом положении переключатель режимов не фиксируется.



Положения для **Долбления**

Установка направления вращения

Выключателем направления вращения можно изменять направление вращения патрона. При вжатом выключателе это, однако, невозможно.

Включение/выключение

- Для включения электроинструмента нажмите на выключатель.
- Для фиксирования выключателя придержите его нажатым и дополнительно нажмите кнопку фиксирования.
- Для выключения электроинструмента отпустите выключатель. При задействованном фиксаторе сначала нажмите на выключатель 9 и потом отпустите его.

В целях экономии электроэнергии включайте электроинструмент только тогда, когда Вы собираетесь работать с ним.

Установка числа оборотов и ударов

Вы можете плавно регулировать число оборотов и ударов включенного электроинструмента, сильнее или слабее нажимая на выключатель.

Легким нажатием на выключатель инструмент включается на низкое число оборотов и низкое число ударов. С увеличением силы нажатия число оборотов и ударов увеличивается.

Предохранительная муфта

- ▶ При заедании или заклинивании рабочего инструмента привод патрона отключается. В целях предосторожности всегда держите электроинструмент из-за возникающих при этом сил крепко и надежно обеими руками и займите устойчивое положение.

- ▶ При блокировке электроинструмента выключите его и выньте рабочий инструмент из обрабатываемого материала. При включении с заклинившим инструментом возникают высокие реактивные токи.

Указания по применению

- ▶ Перед любыми манипуляциями с электроинструментом вытаскивайте штепсель из розетки.

Изменение положения зубила (Vario-Lock)

Вы можете зафиксировать зубило в положениях. Благодаря этому Вы можете занять соответственно оптимальное положение.

- Вставьте зубило в патрон.
- Поверните переключатель режимов в положение «Vario-Lock».
- Поверните патрон в желаемое положение зубила.
- Поверните переключатель режимов в положение «Долбление». Этим фиксируется посадочное гнездо.
- Для долбления устанавливайте правое направление вращения.

Техобслуживание и сервис

Техобслуживание и очистка

- ▶ Перед любыми манипуляциями с электроинструментом вытаскивайте штепсель из розетки.

- ▶ Для обеспечения качественной и безопасной работы содержите электроинструмент и вентиляционные прорези в чистоте.

Если требуется поменять шнур во избежание опасности обращайтесь на фирму P.I.T или в авторизованную сервисную мастерскую для электроинструментов P.I.T.

Сервис

- ▶ Ремонт Вашего электроинструмента поручайте только квалифицированному персоналу и только с применением оригинальных запасных частей. Этим обеспечивается безопасность электроинструмента.

Список авторизованных сервисных центров можно посмотреть на официальном сайте P.I.T. по ссылке: <https://pittools.ru/servises/>

Хранение и транспортировка

Храните инструмент в закрытых помещениях с естественной вентиляцией в упаковке при температуре воздуха от 0°C до +50°C и влажности воздуха не более 80%.

Транспортировать продукцию можно любым видом закрытого транспорта в упаков-

ке производителя или без нее с сохранением изделия от механических повреждений и атмосферных осадков. Перед транспортировкой извлеките оснастку из инструмента.

Утилизация

Отслужившие свой срок электроинструменты, принадлежности и упаковку следует сдавать на экологически чистую переработку отходов.



Утилизируйте электроинструмент

отдельно от бытового мусора!

РАСШИФРОВКА ДАТЫ ИЗГОТОВЛЕНИЯ ИЗДЕЛИЯ

№.

1	7	0	7	3	0	0	3	9	5
---	---	---	---	---	---	---	---	---	---

год месяц день

Дата изготовления изделия зашифрована в серийном номере, напечатанном на корпусе инструмента. Первые 2 цифры обозначают год выпуска, следующие 2 цифры – месяц и следующие 2 цифры – день.

УСЛОВИЯ ГАРАНТИЙНОГО ОБСЛУЖИВАНИЯ

1. Настоящее гарантийное свидетельство является единственным документом, подтверждающим ваше право на бесплатное гарантийное обслуживание. Без предъявления данного свидетельства претензии не принимаются. В случае утери или порчи гарантийное свидетельство не восстанавливается.

2. Гарантийный срок на электроинструмент, а также зарядные устройства и аккумуляторные батареи серии OnePower составляет 12 месяцев со дня продажи, в течение гарантийного срока сервисная служба бесплатно устраняет производственные дефекты и производит замену деталей, вышедших из строя по вине изготовителя. На период гарантийного ремонта эквивалентный исправный инструмент не предоставляется. Заменяемые детали переходят в собственность служб сервиса.

Компания P.I.T. не несет ответственности за вред, который может быть причинен при работе с электроинструментом.

3. В гарантийный ремонт инструмент принимается в чистом виде, при обязательном наличии надлежащим образом оформлен-

ных документов: настоящего гарантийного свидетельства, гарантийного талона, с полностью заполненными полями, штампом торговой организации и подписью покупателя.

4. Гарантийный ремонт не производится в следующих случаях:

- при отсутствии гарантийного свидетельства и гарантийного талона или неправильном их оформлении;
- при совместном выходе из строя якоря и статора электродвигателя, при обугливание или оплавлении первичной обмотки трансформатора сварочного аппарата, зарядного или пуско-зарядного устройства, при оплавлении внутренних деталей, прожиге электронных плат;
- если гарантийное свидетельство или талон не принадлежат данному электроинструменту или не соответствует установленному поставщиком образцу;
- по истечении срока гарантии;
- при попытках самостоятельного вскрытия или ремонта электроинструмента вне гарантийной мастерской;
- внесения конструктивных изменений и смазки инструмента в гарантийный период, о чем свидетельствуют, например, заломы на шлицевых частях крепежа корпусных деталей.
- при использовании электроинструмента в производственных или иных целях, связанных с получением прибыли, а также при возникновении неисправностей связанных с нестабильностью параметров электросети, превышающих нормы, установленные ГОСТ;
- при неправильной эксплуатации (использование электроинструмента не по назначению, установки на электроинструмент не предназначенных заводом-изготовителем насадок, дополнительных приспособлений и т.п.;
- при механических повреждениях корпуса, сетевого шнура и при повреждениях, вызванных воздействиями агрессивных средств и высоких и низких температур, попадании инородных предметов в вентиляционные решетки электроинструмента, а также при повреждениях, наступивших в результате неправильного хранения (коррозия металлических частей);
- при естественном износе деталей электроинструмента, в результате длительной эксплуатации (определяется по признакам полной или частичной выработки ресурса,

сильного загрязнения, ржавчины снаружи и внутри электроинструмента, отработанной смазки в редукторе);

- использование инструмента не по назначению, указанному в инструкции по эксплуатации.
- при механических повреждениях инструмента;
- при возникновении повреждений в связи с несоблюдением предусмотренных инструкцией условий эксплуатации (см. главу «Указание по технике безопасности» в инструкции).
- повреждение изделия вследствие несоблюдения правил хранения и транспортировки.
- при сильном внутреннем загрязнении инструмента.

Профилактическое обслуживание электроинструмента (чистка, промывка, смазка, замена пыльников, поршневых и уплотнительных колец) в гарантийный период является платной услугой.

Срок службы изделия составляет 3 года. Срок хранения – 2 года. Не рекомендуется к эксплуатации по истечении 2 лет хранения с даты изготовления, которая указана в серийном номере на этикетке инструмента, без предварительной проверки (определение даты выпуска смотрите ранее в Руководстве пользователя).

О возможных нарушениях, изложенных выше условий гарантийного обслуживания, владельцу сообщается после проведения диагностики в сервисном центре.

Владелец инструмента доверяет проведение диагностики в сервисном центре в свое отсутствие.

Запрещается эксплуатация электроинструмента при проявлении признаков повышенного нагрева, искрения, а также шума в редукторной части. Для выяснения причин неисправности покупателю следует обратиться в гарантийную мастерскую.

Неисправности, вызванные несвоевременной заменой угольных щеток двигателя, устраняются за счет покупателя.

5. Гарантия не распространяется на:

- сменные принадлежности (аксессуары и оснастка), например: аккумуляторы, диски, ножи, сверла, буры, патроны, цепи, звездочки, канговые зажимы, шины, элементы натяжения и крепления, головки триммеров, подошвы шлифовальных и ленточных машин, фильтры, головки шестигранные сменные насадки и т.п.

- быстроизнашивающиеся детали, например: угольные щетки, приводные ремни, сальники, защитные кожухи, направляющие ролики, направляющие, резиновые уплотнения, подшипники, зубчатые ремни и колеса, стволы, ленты тормоза, храповики и тросы стартеров, поршневые кольца и т.п.

Замена их в течение гарантийного срока является платной услугой.

-шнуры питания, в случае повреждения изоляции, шнуры питания подлежат обязательной замене без согласия владельца (услуга платная), в т.ч. корпуса инструмента.

P.I.T. WARRANTY CERTIFICATE

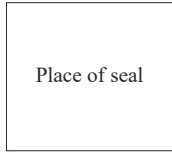
Product Name _____

Product Serial Number

Charger Serial Number

Sale Date _____

Trade Organization Name _____



Dear customer!

Thank you for purchasing the P.I.T tool, and we hope that you will be satisfied with your choice. In the process of manufacturing the P.I.T tools pass multilevel quality control, if nevertheless your product will need maintenance, please contact the authorized P.I.T service centers.

Attention!

When buying, ask a seller to check the completeness and operability of the tool, to fill out the Warranty Certificate, the Warranty Card (the boxes shall be filled out by a seller) and to affix the seal of the trade organization in the Guarantee Certificate and the Warranty Card.

Warranty

By this Warranty Certificate, P.I.T. company guarantees the absence of defects of the production nature.

In the event any of the above defects are detected during the warranty period, the specialized P.I.T. service centers shall repair the product and replace the defective spare parts free of charge.

The warranty period for P.I.T. electric machines is 12 months from the date of sale.

“The warranty maintenance terms acknowledged and accepted. The operability and completeness of the product are checked in my presence. No claims on quality and appearance.”

Buyer’s Signature _____ Surname (legibly) _____

Phone _____

ГАРАНТИЙНОЕ СВИДЕТЕЛЬСТВО НА ИНСТРУМЕНТ Р.І.Т.

Наименование изделия _____

Серийный номер изделия □□□□□□□□□□

Серийный номер зарядного устройства □□□□□□□□□□

Дата продажи « ____ » _____

Наименование торговой организации _____

Уважаемый покупатель!

М.П.

Благодарим Вас за покупку инструмента Р.І.Т. и надеемся, что Вы останетесь довольны своим выбором.

При необходимости обслуживания Вашего изделия обращайтесь в авторизованные сервисные центры Р.І.Т. Все сервисные центры представлены на сайте www.pittools.ru

Внимание!

При покупке требуйте у продавца проверки работоспособности инструмента и его комплектности, а также заполнения гарантийного свидетельства, гарантийного талона (графы «Заполняются продавцом») и простановки печати торговой организации в гарантийном свидетельстве и гарантийных талонах.

Гарантия

На основании данного гарантийного свидетельства компания Р.І.Т. гарантирует отсутствие дефектов производственного характера.

Если в течение гарантийного срока в Вашем изделии обнаружатся указанные дефекты, то специализированные сервисные центры Р.І.Т. бесплатно отремонтируют изделие и заменят дефектные запасные части.

Гарантийный срок на электроинструменты Р.І.Т. составляет 12 месяцев со дня продажи.

«С условиями гарантийного обслуживания ознакомлен(а). Работоспособность и комплектность изделия проверены в моем присутствии. Претензий к качеству и внешнему виду не имею».

Подпись покупателя _____ Фамилия (разборчиво)

Телефон _____

P.I.T. WARRANTY CARD

Name _____ Serial Number _____ Sale Date _____ 20__ Date of Receipt from Repair _____ 20__	P.I.T.		№ 1
	Name _____		Place of Seal
	Serial Number _____		
	Sale Date _____ 20__		
	(Filled out by a Seller)		
	WARRANTY REPAIR CARD		
	Date of Acceptance for Repair _____ 20__		
	Application for Repair _____		
	Customer _____		
	Phone (Address) _____		
Cause of Application _____			
Date of Receipt from Repair _____ 20__			
The Tool is checked in my presence _____			
(The Order shall be performed in a Service Center) (Signature)			

Name _____ Serial Number _____ Sale Date _____ 20__ Date of Receipt from Repair _____ 20__	P.I.T.		№ 2
	Name _____		Place of Seal
	Serial Number _____		
	Sale Date _____ 20__		
	(Filled out by a Seller)		
	WARRANTY REPAIR CARD		
	Date of Acceptance for Repair _____ 20__		
	Application for Repair _____		
	Customer _____		
	Phone (Address) _____		
Cause of Application _____			
Date of Receipt from Repair _____ 20__			
The Tool is checked in my presence _____			
(The Order shall be performed in a Service Center) (Signature)			

Name _____ Serial Number _____ Sale Date _____ 20__ Date of Receipt from Repair _____ 20__	P.I.T.		№ 3
	Name _____		Place of Seal
	Serial Number _____		
	Sale Date _____ 20__		
	(Filled out by a Seller)		
	WARRANTY REPAIR CARD		
	Date of Acceptance for Repair _____ 20__		
	Application for Repair _____		
	Customer _____		
	Phone (Address) _____		
Cause of Application _____			
Date of Receipt from Repair _____ 20__			
The Tool is checked in my presence _____			
(The Order shall be performed in a Service Center) (Signature)			

ГАРАНТИЙНЫЙ ТАЛОН P.I.T.

P.I.T.

Талон № 1

Наименование _____
 Серийный номер _____
 Дата продажи « ____ » _____ 20__ Place of Seal
 (Заполняется продавцом)
 КАРТА ГАРАНТИЙНОГО РЕМОНА
 Дата приема ремонт _____ 20__
 Заявка на ремонт _____
 Заказчик _____
 Телефон (адрес) _____
 Причина обращения _____
 Дата получения от ремонта _____ 20__
 Инструмент проверен в моем присутствии _____
 (Заказ заполняется в Сервисном Центре) (Подпись)

Наименование _____
 Серийный номер _____
 Дата продажи _____ 20__
 Дата получения от ремонта _____ 20__

P.I.T.

Талон № 2

Наименование _____
 Серийный номер _____
 Дата продажи « ____ » _____ 20__ Place of Seal
 (Заполняется продавцом)
 КАРТА ГАРАНТИЙНОГО РЕМОНА
 Дата приема ремонт _____ 20__
 Заявка на ремонт _____
 Заказчик _____
 Телефон (адрес) _____
 Причина обращения _____
 Дата получения от ремонта _____ 20__
 Инструмент проверен в моем присутствии _____
 (Заказ заполняется в Сервисном Центре) (Подпись)

Наименование _____
 Серийный номер _____
 Дата продажи _____ 20__
 Дата получения от ремонта _____ 20__

P.I.T.

Талон № 3

Наименование _____
 Серийный номер _____
 Дата продажи « ____ » _____ 20__ Place of Seal
 (Заполняется продавцом)
 КАРТА ГАРАНТИЙНОГО РЕМОНА
 Дата приема ремонт _____ 20__
 Заявка на ремонт _____
 Заказчик _____
 Телефон (адрес) _____
 Причина обращения _____
 Дата получения от ремонта _____ 20__
 Инструмент проверен в моем присутствии _____
 (Заказ заполняется в Сервисном Центре) (Подпись)

Наименование _____
 Серийный номер _____
 Дата продажи _____ 20__
 Дата получения от ремонта _____ 20__



www.pit-tools.com

P.I.T.

Поставщик / производитель: Xinjiang Longbo Industrial Co., Ltd./Синьцзян Лонгбо Индастриал Ко., Лтд.

Адрес производства: Rm. 602, 6th Floor, No. 531, Weixing Road, Economic And Technological Development Zone, Urumqi, Xinjiang, China / Оф.602, 6 этаж, №531, Вейшинг Родд, Экономик Энд Технолоджикал Девелопмент Зон, Урумчи, Синьцзян, Китай

Импортер/ организация, уполномоченная принимать претензии: ООО«Турбо-Тулс»

Юридический адрес: 117246, г. Москва, ул. Херсонская, 43 - 670

Вопросы и предложения направляйте по адресу: 614058, г. Пермь, ул. Фоминская, 36
info@pittools.ru

Сделано в КНР / Made in China

