



EN

TR

RU

UA

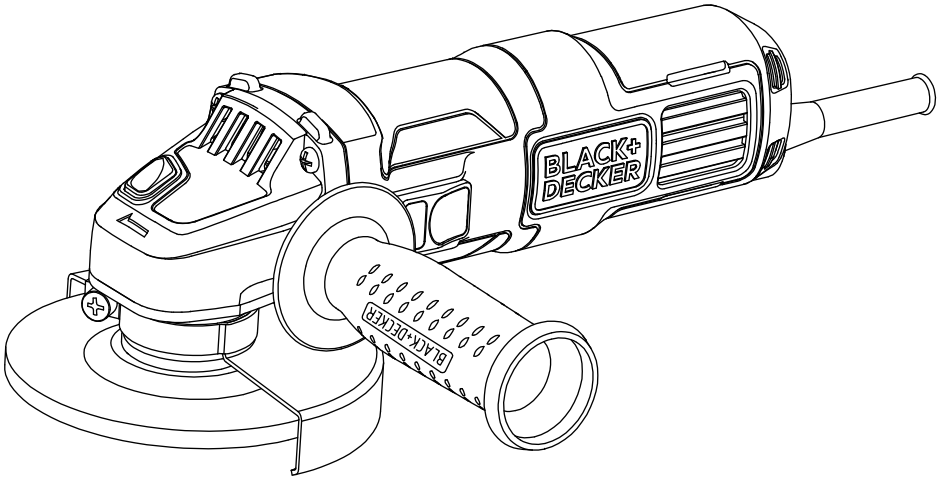


FIG. A

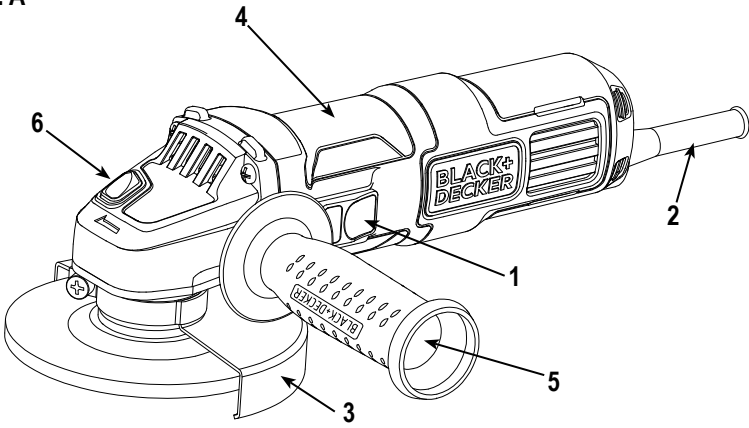


FIG. B

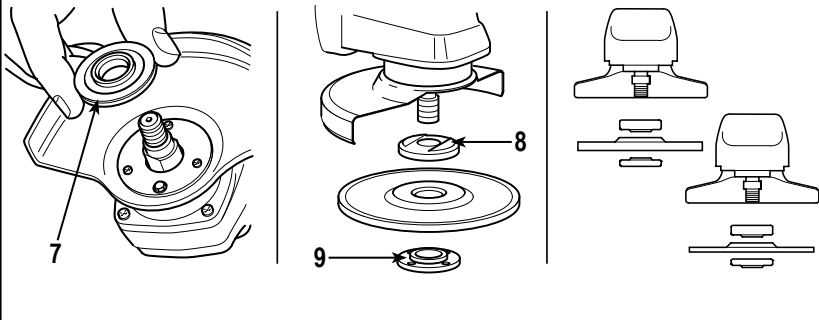


FIG. C

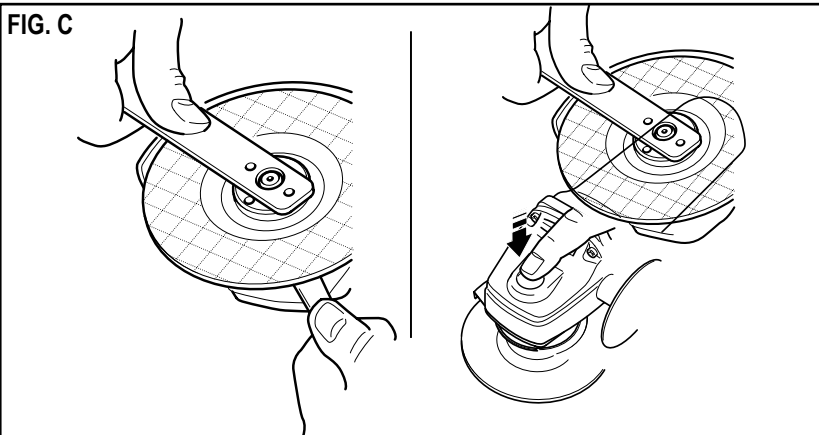


FIG. D

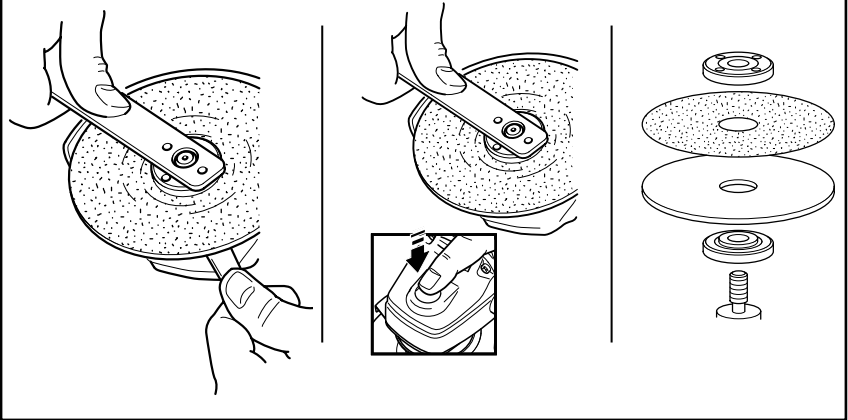
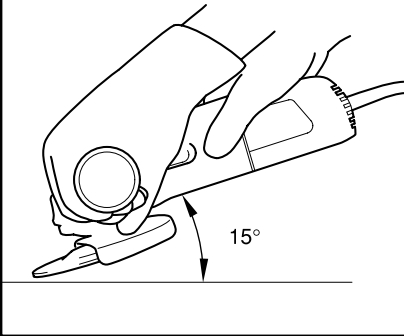


FIG. E



Intended use

Your BLACK+DECKER™ G650 angle grinder has been designed for grinding metal using the appropriate type of grinding disc. This tool is intended for consumer use only.

DO NOT RETURN THIS PRODUCT TO THE STORE, first contact your local BLACK+DECKER office or nearest authorized service center.

GENERAL SAFETY RULES



Warning! Read and understand all instructions. Failure to follow all instructions listed below, may result in electric shock, fire and/or serious personal injury.

SAVE THESE INSTRUCTIONS

SAFETY INSTRUCTIONS

General power tool safety warnings.

Warning! Read all safety warnings and all instructions. Failure to follow the warnings and instructions listed below may result in electric shock, fire and/or serious injury.

Save all warnings and instructions for future reference. The term “power tool” in all of the warnings listed below refers to your mains operated (corded) power tool or battery operated (cordless) power tool.

1. Work Area Safety

- a. **Keep work area clean and well lit.**
Cluttered and dark areas invite accidents.
- b. **Do not operate power tools in explosive atmospheres, such as in the presence of flammable liquids, gases or dust.** Power tools create sparks which may ignite the dust or fumes.
- c. **Keep children and bystanders away while operating a power tool.**
Distractions can cause you to lose control.

2. Electrical Safety

- a. **Power tool plugs must match the outlet. Never modify the plug in any way. Do not use any adapter plugs with earthed (grounded) power tools.** Unmodified plugs and matching outlets will reduce risk of electric shock.

- b. **Avoid body contact with earthed or grounded surfaces such as pipes, radiators, ranges and refrigerators.** There is an increased risk of electric shock if your body is earthed or grounded.
- c. **Do not expose power tools to rain or wet conditions.** Water entering a power tool will increase the risk of electric shock.
- d. **Do not abuse the cord. Never use the cord for carrying, pulling or unplugging the power tool. Keep cord away from heat, oil, sharp edges or moving parts.** Damaged or entangled cords increase the risk of electric shock.
- e. **When operating a power tool outdoors, use an extension cord suitable for outdoor use.** Use of a cord suitable for outdoor use reduces the risk of electric shock.
- f. **If operating a power tool in a damp location is unavoidable, use a residual current device (RCD) protected supply.** Use of an RCD reduces the risk of electric shock. **Note:** The term “Residual Current Device (RCD)” can be replaced by “Ground Fault Circuit Interrupter (GFCI)” or by “Earth Leakage Circuit Breaker (ELCB)”.

3. Personal Safety

- a. **Stay alert, watch what you are doing and use common sense when operating a power tool. Do not use a power tool while you are tired or under the influence of drugs, alcohol or medication.** A moment of inattention while operating power tools may result in serious personal injury.
- b. **Use personal protective equipment. Always wear eye protection.** Protective equipment such as dust mask, non-skid safety shoes, hard hat, or hearing protection used for appropriate conditions will reduce personal injuries.
- c. **Prevent unintentional starting. Ensure the switch is in the off-position before connecting to power source and/or battery pack, picking up or carrying the tool.** Carrying power tools with your finger on the switch or energising power tools that have the switch on invites accidents.

- d. **Remove any adjusting key or wrench before turning the power tool on.** A wrench or a key left attached to a rotating part of the power tool may result in personal injury.
- e. **Do not overreach. Keep proper footing and balance at all times.** This enables better control of the power tool in unexpected situations.
- f. **Dress properly. Do not wear loose clothing or jewellery. Keep your hair, clothing and gloves away from moving parts.** Loose clothes, jewellery or long hair can be caught in moving parts.
- g. **If devices are provided for the connection of dust extraction and collection facilities, ensure these are connected and properly used.** Use of these devices can reduce dust related hazards.

4. Power Tool Use and Care

- a. **Do not force the power tool. Use the correct power tool for your application.** The correct power tool will do the job better and safer at the rate for which it was designed.
- b. **Do not use the power tool if the switch does not turn it on and off.** Any power tool that cannot be controlled with the switch is dangerous and must be repaired.
- c. **Disconnect the plug from the power source and/or the battery pack from the power tool before making any adjustments, changing accessories, or storing power tools.** Such preventive safety measures reduce the risk of starting the power tool accidentally.
- d. **Store idle power tools out of the reach of children and do not allow persons unfamiliar with the power tool or these instructions to operate the power tool.** Power tools are dangerous in the hands of untrained users.
- e. **Maintain power tools. Check for misalignment or binding of moving parts, breakage of parts and any other condition that may affect the power tools operation. If damaged, have the power tool repaired before use.** Many accidents are caused by poorly maintained power tools.
- f. **Keep cutting tools sharp and clean.** Properly maintained cutting tools with sharp cutting edges are less likely to bind and are easier to control.
- g. **Use the power tool, accessories and tool bits etc., in accordance with these instructions, taking into account the working conditions and the work to be performed.** Use of the power tool for operations different from those intended could result in a hazardous situation.

5. Service

- a. **Have your power tool serviced by a qualified repair person using only identical replacement parts.** This will ensure that the safety of the power tool is maintained.

SAFETY INSTRUCTIONS FOR ALL OPERATIONS

- a. **This power tool is intended to function as a grinder. Read all safety warnings, instructions, illustrations and specifications provided with this power tool.** Failure to follow all instructions listed below may result in electric shock, fire and/or serious injury.
- b. **Operations such as cutting-off, sander, wire brush or polisher are not recommended to be performed with this power tool.** Operations for which the power tool was not designed may create a hazard and cause personal injury.
- c. **Do not use accessories which are not specifically designed and recommended by the tool manufacturer.** Just because the accessory can be attached to your power tool, it does not assure safe operation.
- d. **The rated speed of the accessory must be at least equal to the maximum speed marked on the power tool.** Accessories running faster than their rated speed can break and fly apart.

- e. The outside diameter and the thickness of your accessory must be within the capacity rating of your power tool.** Incorrectly sized accessories cannot be adequately guarded or controlled.
- f) Threaded mounting of accessories must match the grinder spindle thread. For accessories mounted by flanges, the arbour hole of the accessory must fit the locating diameter of the flange.** Accessories that do not match the mounting hardware of the power tool will run out of balance, vibrate excessively and may cause loss of control.
- g. Do not use a damaged accessory. Before each use inspect the accessory such as abrasive wheel for chips and cracks, backing pad for cracks, tear or excess wear, wire brush for loose or cracked wires. If power tool or accessory is dropped, inspect for damage or install an undamaged accessory. After inspecting and installing an accessory, position yourself and by standers away from the plane of the rotating accessory and run the power tool at maximum no-load speed for one minute.** Damaged accessories will normally break apart during this test time.
- h. Wear personal protective equipment. Depending on application, use face shield, safety goggles or safety glasses. As appropriate, wear dust mask, hearing protectors, gloves and workshop apron capable of stopping small abrasive or workpiece fragments.** The eye protection must be capable of stopping flying debris generated by various operations. The dust mask or respirator must be capable of filtrating particles generated by your operation. Prolonged exposure to high intensity noise may cause hearing loss.
- i. Keep bystanders a safe distance away from work area. Anyone entering the work area must wear personal protective equipment.** Fragments of workpiece or of a broken accessory may fly away and cause injury beyond immediate area of operation.
- j. Hold the power tool by insulated gripping surfaces only, when performing an operation where the cutting accessory may contact hidden wiring or its own cord.** Cutting accessory contacting a “live” wire may make exposed metal parts of the power tool “live” and could give the operator an electric shock.
- k. Position the cord clear of the spinning accessory.** If you lose control, the cord may be cut or snagged and your hand or arm may be pulled into the spinning accessory.
- l. Never lay the power tool down until the accessory has come to a complete stop.** The spinning accessory may grab the surface and pull the power tool out of your control.
- m. Do not run the power tool while carrying it at your side.** Accidental contact with the spinning accessory could snag your clothing, pulling the accessory into your body.
- n. Regularly clean the power tool’s air vents.** The motor’s fan will draw the dust inside the housing and excessive accumulation of powdered metal may cause electrical hazards.
- o. Do not operate the power tool near flammable materials.** Sparks could ignite these materials.
- p. Do not use accessories that require liquid coolants.** Using water or other liquid coolants may result in electrocution or shock.

FURTHER SAFETY INSTRUCTIONS FOR ALL OPERATIONS

KICKBACK AND RELATED WARNINGS

Kickback is a sudden reaction to a pinched or snagged rotating wheel, backing pad, brush or any other accessory. Pinching or snagging causes rapid stalling of the rotating accessory which in turn causes the uncontrolled power tool to be forced in the direction opposite of the accessory’s rotation at the point of the binding.

For example, if an abrasive wheel is snagged or pinched by the workpiece, the edge of the wheel that is entering into the pinch point can dig into the surface of the material causing the wheel to climb out or kick out. The wheel may either jump toward or away from the operator, depending on direction of the wheel's movement at the point of pinching. Abrasive wheels may also break under these conditions. Kickback is the result of tool misuse and/or incorrect operating procedures or conditions and can be avoided by taking proper precautions as given below:

- a. **Maintain a firm grip on the power tool and position your body and arm to allow you to resist kickback forces. Always use auxiliary handle, if provided, for maximum control over kickback or torque reaction during start up.** The operator can control torque reaction or kickback forces, if proper precautions are taken.
- b. **Never place your hand near the rotating accessory.** Accessory may kickback over your hand.
- c. **Do not position your body in the area where power tool will move if kickback occurs.** Kickback will propel the tool in direction opposite to the wheel's movement at the point of snagging.
- d. **Use special care when working corners, sharp edges etc. Avoid bouncing and snagging the accessory.** Corners, sharp edges or bouncing have a tendency to snag the rotating accessory and cause loss of control or kickback.
- e. **Do not attach a saw chain woodcarving blade or toothed saw blade.** Such blades create frequent kickback and loss of control.

SAFETY WARNINGS SPECIFIC FOR GRINDING OPERATIONS

- a. **Use only wheel types that are recommended for your power tool and the specific guard designed for the selected wheel.** Wheels for which the power tool was not designed cannot be adequately guarded and are unsafe.
- b. **The grinding surface of centre depressed wheels must be mounted below the plane of the guard lip.** An improperly mounted wheel that projects through the plane of the guard lip cannot be adequately protected.
- c. **The guard must be securely attached to the power tool and positioned for maximum safety, so the least amount of wheel is exposed towards the operator.** The guard helps to protect operator from broken wheel fragments and accidental contact with wheel and sparks that could ignite clothing.
- d. **Wheels must be used only for recommended applications. For example: do not grind with the side of cut-off wheel.** Abrasive cut-off wheels are intended for peripheral grinding, side forces applied to these wheels may cause them to shatter.
- e. **Always use undamaged wheel flanges that are of correct size and shape for your selected wheel.** Proper wheel flanges support the wheel thus reducing the possibility of wheel breakage. Flanges for cut-off wheels may be different from grinding wheel flanges.
- f. **Do not use worn down wheels from larger power tools.** Wheel intended for larger power tool is not suitable for the higher speed of a smaller tool and may burst.

ADDITIONAL SAFETY INSTRUCTIONS FOR SMALL ANGLE GRINDERS

- Use the guard and ensure it is fitted correctly.
- Check mounting flanges and the disc are correctly fitted and are undamaged.
- Ensure you are using the correct size and type of disc for the task.
- Ensure the disc, wire brush and sanding accessories are rated in excess of the spindle rpm of your angle grinder. Allow a newly assembled wheel to idle offload for 30 seconds before starting any operation.

Labels on tool

The label on your tool may include the following symbols:



Read Instructions Manual

Hz Hertz



Class II Construction



Use Eye Protection

W Watts



Earthing Terminal



Use Ear Protection

min minutes



Safety Alert Symbol

~ Alternating Current



Revolutions or Reciprocation per minute

----- Direct Current



V Volts

A Amperes

n Rated speed

List of Content

1 Angle Grinder

1 Side Handle

1 Wrench

Position of date barcode

The Date Code, which also includes the year of manufacture, is printed into the housing. Example:

2017 XX JN
Year of manufacturing

Electrical safety



Your tool is double insulated; therefore no earth wire is required. Always check that the main voltage corresponds to the voltage on the rating plate.



Warning! If the power cord is damaged, it must be replaced by the manufacturer, authorized BLACK+DECKER Service Center or an equally qualified person in order to avoid damage or injury. If the power cord is replaced by an equally qualified person, but not authorized by BLACK+DECKER, the warranty will not be valid.

FEATURES (Fig. A)

1. Slider switch
2. Cable
3. Guard
4. Body grip
5. Side handle (2 positions)

6. Spindle lock button

OPERATION

Operating your angle grinder (Fig. A)

To switch on, push the slider switch forward (1). To switch off, press the rear of the slider switch.

Fitting the discs (Fig. B and C)

Proceed as follows:

- Disconnect the plug from the electricity supply.
- Ensure the guard is fitted. Place the inner flange (7) on the spindle. Ensure it is located on the two flats.
- Place the abrasive disc on the spindle and inner flange (8). Ensure it is correctly located.
- Fit the threaded outer flange (9), making sure it is facing in the correct direction for the type of disc fitted. For grinding discs, the flange (9) is fitted with the raised portion facing towards the disc. For cutting discs, the flange (9) is fitted with the inner portion facing away from the disc.
- Hold the spanner on the flats of the spindle to prevent rotation of the disc and tighten the outer flange with the spanner provided.
- Press in the spindle lock button and rotate the spindle until it locks (Fig. C). Keeping the lock button pressed in, tighten the outer flange with the spanner provided.

Fitting sanding discs (Fig. D)

- Use a sanding disc with the backing pad for sanding with your angle grinder.
- Disconnect the plug from the electricity supply.
- Remove the guard.
- Place the flange on the spindle. Place the backing pad on the spindle and inner flange, ensuring it is correctly located.
- Mount the fibre backed abrasive disc on the backing pad.

- Fit the threaded outer flange and tighten as explained in 'Fitting the discs'.

Handy hints (Fig. E)

Hold your angle grinder firmly with one hand around the side handle and the other around the body of your angle grinder.

- Always position the guard so that as much of the exposed disc as possible is pointing away from you.
- Be prepared for a stream of sparks when the disc touches the metal.

When grinding, always maintain the correct angle between the disc and the work surface (15°)(Fig. D). This increases the removal capacity of the disc and avoids unnecessary overloading.

Overload

Overloading will cause damage to the motor of your angle grinder. This can happen if your angle grinder is subjected to heavy duty use for prolonged periods of use. Do not in any circumstances, attempt to exert too much pressure on your angle grinder to speed up your work. The abrasive discs operate more efficiently when a light pressure is exerted, thus avoiding a drop in the speed of your angle grinder.

MAINTENANCE

Keep guards, air vents and the motor housing as clear as possible of dust and dirt. Wipe with a clean cloth and blow through with a low-pressure air supply. Excessive build-up of metal dust can cause tracking of electrical current from the internal parts to exposed metal parts.

Do not overload your angle grinder. Overloading causes a reduction in speed and efficiency, causing your angle grinder to become too hot. If this happens, operate your angle grinder under no load for one or two minutes until it has cooled to normal operating temperature. Switching your angle grinder off under load will reduce the life of the switch.

Important! To assure product **SAFETY** and **RELIABILITY**, repairs, maintenance and adjustment (other than those listed in this manual) should be performed by authorized

service centers or other qualified service personnel, always using identical replacement parts.

Protecting the environment



Separate collection. This product must not be disposed of with normal household waste.

Should you find one day that your BLACK+DECKER product needs replacement, or if it is of no further use to you, do not dispose of it with household waste. Make this product available for separate collection.



Separate collection of used products and packaging allows materials to be recycled and used again. Reuse of recycled materials helps prevent environmental pollution and reduces the demand for raw materials.

Local regulations may provide for separate collection of electrical products from the household, at municipal waste sites or by the retailer when you purchase a new product.

BLACK+DECKER provides a facility for the collection and recycling of BLACK+DECKER products once they have reached the end of their working life. To take advantage of this service please return your product to any authorised repair agent who will collect them on our behalf.

You can check the location of your nearest authorised repair agent by contacting your local BLACK+DECKER office at the address indicated in this manual. Alternatively, a list of authorised BLACK+DECKER repair agents and full details of our after-sales service and contacts are available on the Internet at: www.2helpU.com.

SERVICE INFORMATION

BLACK+DECKER offers a full network of company-owned and authorized service locations. All BLACK+DECKER Service Centers are staffed with trained personnel to provide customers with efficient and reliable power tool service. For more information about our authorized service centers and if you need technical advice, repair, or genuine factory replacement parts, contact the BLACK+DECKER location nearest you, or visit us at www.blackanddecker.com

SPECIFICATIONS

G650	
Power	650W
Disc diameter	4-1/2"
Voltaje	220-240V- 50/60 Hz
No-load speed	12000/min (rpm)
Spindle size	5/8"-11 / M14
Cable length	2m

Level of sound pressure according to EN 60745:	
Sound pressure (L_{pA})	95,0 dB(A), uncertainty (K) 3 dB(A)
Sound power (L_{WA})	106,0 dB(A), uncertainty (K) 3 dB(A)

Vibration total values (triax vector sum) according to EN 60745:	
Surface grinding ($a_{h,SG}$)	5,6 m/s ² , uncertainty (K) 1.5 m/s ²

EC declaration of conformity
MACHINERY DIRECTIVE



G650 - Angle Grinder

BLACK+DECKER declares that these products described under "Technical data" are in compliance with: 2006/42/EC, EN 60745-1:2009+A11:2010, EN 60745-2-3:2011+A2:2013+A11:2014+A12:2014

These products also comply with Directive 2014/30/EU and 2011/65/EU.

For more information, please contact BLACK+DECKER at the following address or refer to the back of the manual.

The undersigned is responsible for compilation of the technical file and makes this declaration on behalf of BLACK+DECKER.

R. Laverick
Engineering Manager
BLACK+DECKER Europe, 210 Bath Road,
Slough,
Berkshire, SL1 3YD
United Kingdom
03.2017

Guarantee

BLACK+DECKER is confident of the quality of its products and offers an outstanding guarantee. This guarantee statement is in addition to and in no way prejudices your statutory rights.

If a BLACK+DECKER product becomes defective due to faulty materials, workmanship or lack of conformity, within 24 months from the date of purchase, BLACK+DECKER guarantees to replace defective parts, repair products subjected to fair wear and tear or replace such products to make sure of the minimum inconvenience to the customer unless:

- The product has been used for trade, professional or hire purposes.
- The product has been subjected to misuse or neglect.
- The product has sustained damage through foreign objects, substances or accidents.
- Repairs have been attempted by persons other than authorised repair agents or Black + Decker service staff.

To claim on the guarantee, you will need to submit proof of purchase to the seller or an authorised repair agent. You can check the location of your nearest authorised repair agent by contacting your local BLACK+DECKER office at the address indicated in this manual. Alternatively, a list of authorised BLACK+DECKER repair agents and full details of our aftersales service and contacts are available on the Internet at: www.2helpU.com

Kullanım amacı

BLACK+DECKER™ G650 avuç taşlama makineniz uygun tipte taşlama diskinin kullanılarak metal taşlanması için tasarlanmıştır. Bu alet sadece hafif hizmet ve hobi kullanımını içindir.

BU ÜRÜNÜ MAĞAZAYA İADE ETMEYİN; önce en yakın BLACK+DECKER ofise veya yetkili servis merkezine başvurun.

Genel güvenlik kuralları



Uyarı! Bütün güvenlik uyarılarını ve talimatlarını okuyun ve anlayın.

Aşağıda belirtilen tüm talimatların herhangi birisine uyulmaması elektrik çarpması, yangın ve/veya ciddi yaralanma riskine neden olabilir.

BU TALİMATLARI SAKLAYIN

GÜVENLİK TALİMATLARI

Genel elektrikli alet güvenlik uyarıları

Uyarı! Bütün güvenlik uyarılarını ve talimatlarını mutlaka okuyun. Aşağıda yer alan uyarılar ve talimatların herhangi birisine uyulmaması elektrik çarpması, yangın ve/veya ciddi yaralanma riskine neden olabilir.

Bütün uyarı ve güvenlik talimatlarını ileride bakmak üzere saklayın. Aşağıda yer alan uyarılardaki «elektrikli alet» terimi şebeke elektriğiyle (kablolu) veya akü/pille (şarjlı) çalışan elektrikli aletinizi ifade etmektedir.

1. Çalışma alanının güvenliği

a. Çalışma alanını temiz ve aydınlık tutun.

Karışık ve karanlık alanlar kazaya davetiye çıkarır.

b. Elektrikli aletleri, yanıcı sıvılar, gazlar ve tozların bulunduğu yerler gibi yanıcı ortamlarda çalıştırmayın.

Elektrikli aletler, toz veya dumanları ateşleyebilecek kıvılcımlar çıkarır.

c. Bir elektrikli aleti çalıştırırken çocuklardan ve etraftaki kişilerden uzak tutun.

Dikkatinizi dağıtıcı şeyler kontrolü kaybetmenize neden olabilir.

2. Elektrik güvenliği

a. Elektrikli aletlerin fişleri prizlere uygun

olmalıdır. Fiş üzerinde kesinlikle hiçbir değişiklik yapmayın. Topraklı elektrikli aletlerde hiçbir adaptör fişi kullanmayın. Değiştirilmemiş fişler ve uygun prizler elektrik çarpması riskini azaltacaktır.

- Borular, radyatörler, ocaklar ve buzdolapları gibi topraklanmamış yüzeylerle vücut temasından kaçının.** Vücudunuzun topraklanması halinde yüksek bir elektrik çarpması riski vardır.
- Elektrikli aletleri yağmura maruz bırakmayın veya ıslatmayın.** Elektrikli alete su girmesi elektrik çarpması riskini arttıracaktır.
- Elektrik kablolarını uygun olmayan amaçlarla kullanmayın. Elektrikli aleti kesinlikle kablosundan tutarak taşımayın, çekmeyin veya prizden çıkartmayın.** Kabloyu sıcağın, yağdan, keskin kenarlardan veya hareketli parçalardan uzak tutun. Hasarlı veya dolanmış kablolar elektrik çarpması riskini artırır.
- Elektrikli bir aleti açık havada çalıştırıyorsanız, açık havada kullanıma uygun bir uzatma kablosu kullanın.** Açık havada kullanıma uygun bir kablolu kullanılması elektrik çarpması riskini azaltır.
- Eğer bir elektrikli aletin nemli bir bölgede çalıştırılması zorunluysa, bir artık akım aygıtı (RCD) korumalı bir kaynak kullanın.** Bir RCD kullanılması elektrik şoku riskini azaltır. Not: «Artık Akım Aygıtı (RCD)» tanımı, «Kaçak Akım Koruma Cihazı (GFCI)» veya «Toprak Kaçağı Devre Kesici (ELCB)» tanımları ile değiştirilebilir.

3. Kişisel güvenlik

Elektrikli bir aleti kullanırken her zaman dikkatli olun, yaptığınız işe yoğunlaşın ve sağduyulu davranın. Elektrikli bir aleti yorgunken veya ilaç ya da alkolün etkisi altındayken kullanmayın. Elektrikli aletleri kullanırken bir anlık dikkatsizlik ciddi kişisel yaralanmayla sonuçlanabilir.

Kişisel koruyucu ekipmanları mutlaka kullanın. Daima koruyucu gözlük takın. Koşullara uygun toz maskesi, kaymayan güvenlik ayakkabıları, baret veya kulaklık gibi koruyucu donanımların kullanılması kişisel yaralanmaları azaltacaktır.

- c. İstem dışı çalıştırılmasını önleyin. Aleti güç kaynağına ve/veya aküye bağlamadan, yerden kaldırmadan veya taşımadan önce açma/kapama düğmesinin kapalı konumda olduğundan emin olun.** Aleti, parmağınız düğme üzerinde bulunacak şekilde taşımak veya açık konumdaki elektrikli aletleri elektrik şebekesine bağlamak kazaya davetiye çıkarır.
- d. Elektrikli aleti açmadan önce tüm ayarlama anahtarlarını çıkartın.** Elektrikli aletin hareketli bir parçasına takılı kalmış bir anahtar kişisel yaralanmaya neden olabilir.
- e. Ulaşmakta zorlandığınız yerlerde kullanmayın. Daima sağlam ve dengeli basın.** Bu, beklenmedik durumlarda elektrikli aletin daha iyi kontrol edilmesine olanak tanır.
- f. Uygun şekilde giyinin. Bol elbiseler giymeyin ve takı takmayın. Saçınızı, elbiselerinizi ve eldivenlerinizi hareketli parçalardan uzak tutun.** Bol elbiseler ve takılar veya uzun saç hareketli parçalara takılabilir.
- g. Eğer kullandığınız üründe toz emme ve toplama özellikleri olan ataşmanlar varsa bunların bağlı olduğundan ve doğru şekilde kullanıldığınından emin olun.** Bu ataşmanların kullanılması tozla ilgili tehlikeleri azaltabilir.
- 4. Elektrikli aletlerin kullanımı ve bakımı**
- a. Elektrikli aleti zorlamayın. Uygulamanız için doğru elektrikli aleti kullanın.** Doğru elektrikli alet, belirlendiği kapasite yanında kullanıldığında daha iyi ve güvenli çalışacaktır.
- b. Düğme açmıyor ve kapatmıyorsa elektrikli aleti kullanmayın.** Düğmeyle kontrol edilemeyen tüm elektrikli aletler tehlikelidir ve tamir edilmesi gerekmektedir.
- c. Herhangi bir ayarlama, aksesuar değişimi veya elektrikli aletlerin saklanması öncesinde fişi güç kaynağından çekin ve/veya aküyü elektrikli aletten ayırın.** Bu tür önleyici güvenlik tedbirleri aletin istem dışı olarak çalıştırılması riskini azaltacaktır.
- d. Elektrikli aleti, çocukların ulaşamayacağı yerlerde saklayın ve elektrikli aleti tanımayan veya bu talimatları bilmeyen kişilerin elektrikli aleti kullanmasına izin vermeyin.** Elektrikli aletler, eğitimsiz kullanıcıların elinde tehlikelidir.
- e. Elektrikli aletleri iyi durumda muhafaza edin. Hareketli parçalardaki hizalama hatalarını ve tutuklukları, parçalardaki kırılmalar ve elektrikli aletin çalışmasını etkileyebilecek tüm diğer koşulları kontrol edin.** Hasarlı ise, elektrikli aleti kullanmadan önce tamir ettirin. Kazaların çoğu, elektrikli aletlerin bakımının yeterli şekilde yapılmamasından kaynaklanır.
- f. Kesim aletlerini keskin ve temiz tutun.** Bakımı uygun şekilde yapılmış keskin kesim uçlu kesim aletlerinin sıkışma ihtimali daha düşüktür ve kontrol edilmesi daha kolaydır.
- g. Elektrikli aleti, aksesuarlarını ve aletin diğer parçalarını kullanırken bu talimatlara mutlaka uyun ve çalışma ortamının koşullarını ve yapılacak işin ne olduğunu göz önünde bulundurun.** Elektrikli aletin öngörülen işlemler dışındaki işlemler için kullanılması tehlikeli durumlara neden olabilir.
- 5. Servis**
- a. Elektrikli aletinizi, sadece orijinal yedek parçalarını kullandığı yetkili servise tamir ettirin.** Bu, elektrikli aletin güvenliğinin muhafaza edilmesini sağlayacaktır.
- BÜTÜN UYGULAMALAR İÇİN GÜVENLİK TALİMATLARI**
- a) Bu elektrikli alet bir taşlama makinesi olarak kullanılmak üzere tasarlanmıştır. Bu elektrikli alet ile verilen tüm güvenlik uyarıları, talimatlar, resimli açıklamalar ve teknik özellikleri okuyun.** Aşağıda belirtilen tüm talimatların herhangi birisine uyulmaması elektrik çarpması, yangın ve/veya ciddi yaralanma riskine neden olabilir.
- b) Zımparalama, fırçalama, polisaj veya kesme işleri bu elektrikli alet ile yapılması tavsiye edilmez.** Elektrikli aletin tasarlanma amacı dışındaki işlemler tehlike ve kişisel yaralanmalara neden olabilir.

- c) Üretici firma tarafından özel olarak tasarlanmamış ve tavsiye edilmemiş aksesuarları kullanmayın. Aksesuarın elektrikli aletinize takılabilir olması güvenli bir çalışma temin edeceği anlamına gelmemektedir.
- d) Aksesuarın nominal hızı en az elektrikli alet üzerinde yazan maksimum hıza eşit olmalıdır. Nominal hızından daha hızlı çalışan aksesuarlar kırılabilir ve etrafa saçılabilir.
- e) Aksesuarınızın dış çapı ve kalınlığı elektrikli aletinizin kapasite oranı içinde olmalıdır. Yanlış ebatlı aksesuarlar yeteri kadar korunamaz ve kontrol edilemez.
- f) Disk, flanş, taban ya da diğer aksesuarların mil çapı elektrikli aletin miline tam olarak uymalıdır. Elektrikli aletin montaj donanımına uymayan mil çapına sahip aksesuarlar dengesiz çalışır, aşırı titreşim yapar ve kontrolü kaybetmeye neden olabilir.
- g) Hasar görmüş olan bir aksesuarı kullanmayın. Her kullanımdan önce aksesuarları inceleyin, örneğin diski talaş ve çatlaklara karşı, tabanı çatlak, kopma ya da aşırı kullanıma karşı, tel fırçayı gevşek ya da kırık tellere karşı kontrol edin. Elektrikli alet ya da aksesuar düşürülürse, hasar olup olmadığını kontrol edin ya da sağlam aksesuar takın. Aksesuarın incelenmesi ve monte edilmesinden sonra kendinizi ve etraftaki kişileri dönen aksesuarın düzleminden uzakta yerleştirin ve bir dakika boyunca elektrikli aleti boşa ve maksimum hızda çalıştırın. Bu test süresince hasarlı aksesuarlar normal olarak kırılarak dağılacaktır.
- h) Kişisel koruyucu ekipmanları mutlaka kullanın. Uygulamaya bağlı olarak yüz kalkanı, koruyucu gözlük ya da güvenlik gözlükleri kullanın. Yeri geldiğinde küçük aşındırıcı maddeleri ya da işleme tabi tutulan parçaları durdurabilen toz maskesi, kulaklık, eldiven ve iş önlüğü giyin. Göz koruması, çeşitli işlemler sonucu açığa çıkan uçan parçacıkları durdurabilmelidir. Toz maskesi ya da gaz maskesi yaptığınız işlem sonucu açığa çıkan parçacıkları filtreleyebilmelidir. Uzun süreli yüksek şiddetli gürültüye maruz kalınması işitme kaybına neden olabilir.
- i) Çevrede bulunan şahısları çalışma alanından uzakta güvenli bir mesafede tutun. Çalışma alanına giren şahıslar kişisel koruyucu ekipman giymelidir. İşleme tabi tutulan parçanın ya da kırık bir aksesuarın parçacıkları fırlayabilir ve çalışma alanının yakın çevresinde yaralanmalara neden olabilir.
- j) Kesme aksesuarının gizli kablolarına veya kendi kablosuna temas edebileceği yerlerde çalışma yaparken elektrikli aleti yalıtımlı kavrama yüzeylerinden tutun. Kesme aksesuarının «akım taşıyan» bir kabloya temas etmesi durumunda elektrikli aletin metal kısımları da «akım taşıyıcı» hale gelecek ve kullanıcının elektrik çarpmasına neden olabilir.
- k) Kabloyu dönen aksesuardan uzak tutun. Kontrolü kaybederseniz kablo kesilebilir ya da kopabilir ve eliniz ya da kolunuz dönen aksesuar içine çekilebilir.
- l) Aksesuar tamamen durmadıkça elektrikli aleti asla yere koymayın. Dönen aksesuar yüzeyi yakalayabilir ve elektrikli aleti kontrolünüzden çıkarabilir.
- m) Elektrikli aleti yanınızda taşırken çalıştırmayın. Kaza ile temas halinde, dönen aksesuar giysinize takılabilir, aksesuarı vücudunuza doğru çekebilir.
- n) Elektrikli aletin hava çıkışlarını düzenli olarak temizleyin. Motor fanı, tozu muhafaza içine çeker ve aşırı metal toplanması elektriksiz tehlike yaratabilir.
- o) Elektrikli aleti yanıcı malzemelerin yakınında çalıştırmayın. Kıvılcım bu malzemeleri tutuşturabilir.
- p) Sıvı soğutucu gerektiren aksesuarlar kullanmayın. Su ya da diğer sıvı soğutucuların kullanılması elektrik çarpması ya da şok ile sonuçlanabilir.

BÜTÜN UYGULAMALAR İÇİN EK GÜVENLİK TALİMATLARI

GERİ TEPME VE İLGİLİ UYARILAR

Geri tepme, sıkışmış veya takılmış bir disk, taban, fırça veya diğer aksesuarlara verilen ani tepkidir. Sıkışma veya takılma dönen aksesuarın aniden durmasına neden olur, bu daha sonra temas noktasında elektrikli aletin kontrolsüzce, aksesuarın dönme yönünün tersine doğru zorlanmasına yol açar.

Örneğin, bir aşındırıcı disk, işleme tabi tutulan parçaya takılır ya da sıkışır; sıkışma noktasına giren disk kenarı malzemenin yüzeyine saplanarak, diskin geri tepmesine ya da fırlamasına neden olabilir. Disk, sıkışma noktasındaki hareket yönüne bağlı olarak ya kullanıcıya doğru ya da kullanıcıdan uzağa fırlayabilir. Aşındırıcı diskler bu koşullar altında kırılabilir. Geri tepme, aletin yanlış kullanılmasından ve/veya yanlış çalıştırma işlemleri veya koşullarından kaynaklanır ve aşağıda belirtilen uygun tedbirler alınarak önlenabilir:

- a) **Elektrikli aleti sıkıca tutun, vücudunuzu ve kolunuzu geri tepme gücüne karşı koyacak şekilde konumlandırın. Geri tepmeye ya da çalıştırma sırasındaki döndürme momenti tepkisine karşı maksimum kontrol sağlamak için eğer varsa yan tutma kolunu kullanın.** Doğru önlemler alınırsa döndürme momenti tepkileri ya da geri tepmeler kullanıcı tarafından kontrol edilebilir.
- b) **Döner aksesuar civarına asla elinizi sokmayın.** Aksesuar elinizde geri tepme etkisi yapabilir.
- c) **Geri tepmenin meydana gelmesi durumunda vücudunuzu elektrikli aletin hareket edeceği alanda bulundurmayın.** Geri tepme hareketi aleti takılma noktasında disk hareketine ters yönde itecektir.
- d) **Köşe, keskin kenarlar vb. yerlerle çalışırken özellikle dikkatli olun. Aksesuarın sekmesinden ve takılmasından kaçının.** Köşeler, keskin kenarlar ya da sektirme hareketi döner aksesuarı engelleme eğilimindedir ve kontrolün kaybedilmesine ya da geri tepmeye neden olabilir
- e) **Zincirli testere zinciri, ahşap oyma bıçağı ya da dişli daire/gönye testere bıçağı takmayın.** Bu tür bıçaklar sık sık geri tepme ve kontrol kaybı oluşturur.

TAŞLAMA UYGULAMALARINA ÖZEL İLAVE GÜVENLİK UYARILARI

- a) **Sadece elektrikli aletiniz için tavsiye edilen disk türlerini ve seçilen disk için tasarlanmış özel muhafazayı kullanın.** Elektrikli aletin birlikte kullanılmak için

tasarlanmadığı diskler yeteri kadar korunamazlar ve güvenli değildir.







- b) **Basık merkezli disklerin taşlama yüzeyi muhafaza çıkıntısı düzeyinden aşağıda monte edilmelidir.** Muhafaza çıkıntısı düzeyinden dışarı doğru çıkan yanlış monte edilmiş diskler gerektiği gibi korunamazlar.
- c) **Muhafazanın elektrikli alete güvenli bir şekilde bağlanması ve maksimum güvenlik için konumlandırılması gerekir, böylece diskin çok az bir kısmı kullanıcıya açık olacaktır.** Muhafaza, kullanıcının kırılan disk parçacıklarından ve disk ile istenmeyen temaslardan ve gıysileri yakabilecek kıvılcımlardan korunmasına yardımcı olur.
- d) **Diskler sadece önerilen uygulamalar için kullanılmalıdır. Örneğin: kesme diskinin kenarı ile taşlama yapmayın.** Aşındırıcı kesici diskler çevresel aşındırma için tasarlanmıştır, bu disklere uygulanan yan kuvvetler diskleri parçalayabilir.
- e) **Her zaman seçilen disk için doğru ebat ve şekilde, hasarsız flanşları kullanın.** Uygun flanşlar, diski destekler ve disk kırılması olasılığını azaltır. Kesme diski flanşları taşlama diski flanşlarından farklı olabilir.
- f) **Daha büyük çaplı taşlamaların yıpranmış disklerini kullanmayın.** Daha büyük elektrikli aletler için tasarlanmış disk daha küçük bir aletin yüksek hızları için uygun değildir ve parçalanabilir.

AVUÇ TAŞLAMA MAKİNELERİ İÇİN EK GÜVENLİK TALİMATLARI

- Muhafazayı kullanın. Muhafazanın doğru takıldığından emin olun.
- Montaj flanşların ve diskin hasarlı olmadığını ve doğru bir şekilde takıldığını kontrol edin.
- Uygulamaya göre doğru boyutta ve tipte diski kullandığınızdan emin olun.
- Disk, tel fırça ve taşlama aksesuarlarının devir hızının taşlama mili dev/dak hızından fazla olduğundan emin olun. Herhangi bir işe başlamadan önce yeni takılmış bir diski 30 saniye boyunca boşta çalıştırın.

Alet üzerindeki etiketler

Aletin etiketinde aşağıdaki semboller tarih kodu ile birlikte bulunabilir:

	Tüm talimatları okuyun.	Hz Hertz	 Sınıf Yapısı
	Koruyucu gözlük takın.	W Watt	 Topraklı terminal
	Kulaklık takın.	min dakikalar	 Güvenlik uyarı sembolü
V Volt	~ Dalgali akım Doğru akım	./min..	Dakikada devir veya darbe sayısı
A Amper	n ₀ Yüksüz hızı			

İçerik listesi

- 1 Avuç taşlama makinesi
- 1 Yan kol
- 1 Anahtar

Tarih kodu konumu

İmalat yılını da içeren Tarih Kodu gövdeye basılıdır.
Örnek:

2017 XX JN
İmalat Yılı

Elektrik güvenliği



Bu alet çift yalıtımlıdır. Bu yüzden hiçbir topraklama kablosuna gerek yoktur. Her zaman şebeke geriliminin aletin üretim etiketinde belirlenmiş değerlere uyup uymadığını kontrol edin.



Uyarı! Elektrik kablosu hasarlı ise, bir tehlike oluşmasını önlemek için üretici ya da yetkili BLACK+DECKER Servis Merkezi tarafından değiştirilmelidir. Elektrik kablosu BLACK+DECKER yetkili servisi haricinde değiştirilirse, garanti geçerli olmayacaktır.

ÖZELLİKLER (ŞEKİL A)

1. Açma/kapama düğmesi
2. Kablo

3. Muhafaza
4. Gövde tutma alanı
5. Yan kol (2 pozisyonlu)
6. Mil kilidi düğmesi

KULLANIM

Taşlama makinesinin kullanımı (Şekil A)

Aleti çalıştırmak için, açma/kapama düğmesini (1) ileriye kaydırın. Aleti kapatmak için açma/kapama düğmesinin arka tarafına basın.

Disklerin takılması (Şekil B ve C)

Aşağıdaki talimatlara göre hareket edin:

- Aletin fişini şebekeden çıkarın.
- Muhafazanın takılmış olduğundan emin olun. İç flanşı (7) milin üzerine yerleştirin. İki düz tarafın üzerine yerleştirildiğinden emin olun.
- Aşındırıcı diski milin ve iç flanşın (8) üzerine yerleştirin. Diskin doğru yerleştirildiğinden emin olun.
- Dış flanşı (9) takılan diskin doğru yüzüne bakacak şekilde taktığınızda emin olun. Taşlama diskini takarken dış flanştaki (9) yüksek merkez diske bakmalıdır. Kesme diskini takarken dış flanştaki (9) yüksek merkez diskin aksi yöne bakmalıdır.
- Verilen anahtarı kullanarak dış flanşı, anahtarı milin üzerindeki düz yüzeyde tutup diskin dönmesini önleyerek sıkın.
- Mil kilidi düğmesini basılı tutun ve mil kilitlene kadar döndürün (Şekil C). Mil kilidi düğmesini basılı tutarak dış flanşı verilen anahtarı kullanarak sıkıştırın.

Zımparalama disklerinin takılması (Şekil D)

- Zımparalama uygulamaları için zımparalama disklerini ve zımparalama tabanını kullanın.
- Aletin fişini şebekeden çıkarın.
- Muhafazayı çıkartın.
- Flanşı milin üzerine yerleştirin. Tabanı mil ve iç flanşın üzerine takın. Tabanın yerine doğru yerleştiğinden emin olun.

- Taban üzerine fiber dayalı aşındırıcı disk yerleştirin.
- Dişli dış flanşı yerleştirin ve «Disklerin Takılması» bölümünde açıklanmış gibi sıkın.

Yararlı tavsiyeler (Şekil E)

Taşlama makinenizi tek elinizle yan kolun etrafından diğer elinizle ise gövde tutma alanından sıkı bir şekilde tutun.

- Muhafazayı her zaman diskin açık kalan tarafı sizden uzağa bakacak şekilde konumlandırın.
- Disk metale temas ettiğinde bir kıvılcım akımına hazırlıklı olun.

Taşlama yaparken, daima disk ile üzerinde çalıştığınız parçanın yüzeyi arasında yaklaşık 15°'lik bir açı bırakın (Şekil D). Bu, diskin kazıma kapasitesini arttırarak gereksiz yüklenmeyi önler.

Aşırı yüklenme

Aşırı yüklenme taşlama makinenizin motoruna zarar verebilir. Bu durum, taşlama makineniz uzun süre ağır hizmet tipi kullanıma maruz kalırsa meydana gelebilir. Hiç bir durumda işinizi hızlandırmak için taşlama makineniz üzerine aşırı şekilde basılamayın. Aşındırıcı diskler hafif şekilde bastırma ile daha verimli çalışırlar, böylece taşlama makinenizin hızında azalmanın önüne geçilir.

BAKIM

Muhafaza, havalandırma delikleri ve motor muhafazasını olabildiğince toz ve kirden temizleyin. Temiz bir bezle silin ve düşük basınçlı hava üfleyin. Metal tozunun aşırı şekilde birikmesi buna maruz kalan iç aksamda elektrik akımının iz yapmasına neden olabilir.

Taşlama makinenize aşırı yüklenmeyin. Aşırı yüklenme hızda ve verimlilikte azalmaya yol açarak taşlama makinenizin aşırı ısınmasına neden olabilir. Bu meydana gelirse taşlama makinenizi normal çalışma derecesine gelene kadar boşa 1-2 dakika çalıştırın. Taşlama makinenizi yük altında iken kapatmanız açma/kapama düğmesinin ömrünü azaltacaktır.

Önemli! Alet **EMNİYET GÜVENLİĞİ** ve **GÜVENİLİRLİK** için bu kılavuzda belirtilenler dışında tamir, bakım ve ayarlamaların her

zaman orijinal yedek parça kullanılarak, yetkili servisler tarafından yapılması gerekmektedir.

Çevrenin korunması



Ayrı olarak atın. Bu ürün, normal evsel atıklarla birlikte atılmamalıdır.

BLACK+DECKER ürününüzün değiştirilmesi gerektiğini düşünmeniz veya artık kullanılamaz durumda olması halinde onu, evsel atıklarla birlikte atmayın. Bu ürünü, ayrı olarak toplanacak şekilde atın.



Kullanılmış ürünlerin ve ambalajların ayrı olarak toplanması bu maddelerin geri dönüşüme sokularak yeniden kullanılmasına olanak tanır. Geri dönüşümlü maddelerin tekrar kullanılması çevre kirliliğinin önlenmesine yardımcı olur ve ham madde ihtiyacını azaltır.

Yerel yönetmelikler, elektrikli ürünlerin evlerden toplanıp belediye atık tesislerine aktarılması veya yeni bir ürün satın alırken perakende satıcı tarafından toplanması yönünde hükümler içerebilir.

BLACK+DECKER, hizmet ömrünün sonuna ulaşan BLACK+DECKER ürünlerinin toplanması ve geri dönüşme sokulması için bir imkan sunmaktadır. Bu hizmetin avantajlarından faydalanmak için, lütfen, ürününüzü bizim adımıza teslim alacak herhangi bir yetkili servise iade edin.

Bu kılavuzda belirtilen listeden size en yakın BLACK+DECKER yetkili tamir servisinin yerini öğrenebilirsiniz. Ya da, alternatif olarak internet'ten BLACK+DECKER yetkili tamir servislerinin listesini ve satış sonrası hizmetlerimizle ilgili tüm bilgiler için eğitimli personel ile donatılmıştır. Yetkili servis merkezlerimiz hakkında daha fazla bilgi almak istiyorsanız veya teknik danışmanlık, onarım ya da orijinal fabrika yedek parçası ihtiyacınız varsa, size en yakın BLACK+DECKER satış noktasına başvurun veya www.blackanddecker.com.tr adresini ziyaret edin.

SERVİS BİLGİLERİ

BLACK+DECKER, yaygın bir yetkili servis ağı sunmaktadır. Tüm BLACK+DECKER Servis Merkezleri müşterilere etkili ve güvenilir elektrikli el aleti hizmeti sunmak için eğitimli personel ile donatılmıştır. Yetkili servis merkezlerimiz hakkında daha fazla bilgi almak istiyorsanız veya teknik danışmanlık, onarım ya da orijinal fabrika yedek parçası ihtiyacınız varsa, size en yakın BLACK+DECKER satış noktasına başvurun veya www.blackanddecker.com.tr adresini ziyaret edin.

TEKNİK ÖZELLİKLERİ

G650	
Güç	650W
Disk çapı	4-1/2"
Voltaj	220-240V~ 50/60 Hz
Yüksüz hızı	12000 dev/dak
Mil boyutu	5/8"-11 / M14
Kablo uzunluğu	2 m

EN 60745'e göre ses basıncı düzeyi:

Ses basıncı (L_{pA}) 95,0 dB(A), belirsizlik (K) 3 dB(A)
Akustik güç (L_{WA}) 106,0 dB(A), belirsizlik (K) 3 dB(A)

EN 60745'e göre tespit edilen toplam titreşim değerleri (üç yönün vektör toplamı):

Yüzey taşlama ($a_{h,SG}$) 5,6 m/s², belirsizlik (K) 1,5 m/s²

AT Uygunluk Beyanatı

MAKİNE DİREKTİFİ



G650 - Avuç Taşlama Makinesi

BLACK+DECKER, "Teknik veriler" altında tanımlanan bu ürünlerin aşağıdakilere uygun olduğunu beyan eder: 2006/42/EC, EN 60745-1:2009 + A11:2010, EN 60745-2-3:2011+A2:2013+A11:2014+A12:2014

Bu ürünler ayrıca 2004/108/EC (19/04/2016 tarihine kadar), 2014/30/EU (20/04/2016 tarihinden itibaren) ve 2011/65/EU Direktifi ile uyumludur.

Daha fazla bilgi için, lütfen aşağıdaki adresten BLACK+DECKER ile iletişime geçin veya kılavuzun arkasına bakın.

Aşağıda imzası bulunan şahıs, teknik dosyanın derlenmesinden sorumludur ve BLACK+DECKER adına bu beyanatı vermektedir.

R.Laverick

Mühendislik Müdürü
BLACK+DECKER Europe, 210 Bath Road,
Slough,
Berkshire, SL1 3YD
Birleşik Krallık
03,2017

Garanti

BLACK+DECKER, ürünün kalitesinden emindir ve bu yüzden kanunlarda belirtilen taleplerin üstünde bir garanti verir. Ayrıca bu garanti hiçbir şekilde garanti ile ilgili kanuni haklarınızı ihlal etmez ve haklarınızı hiç bir şekilde kısıtlamaz.

Eğer bir BLACK+DECKER ürünü, satın alma tarihinden itibaren 24 ay içinde hatalı malzeme, işçilik ya da uygunsuzluk nedeniyle bozulursa, müşteriye mümkün olabilecek en az sorunu yaşatarak BLACK+DECKER hatalı kısımları değiştirmeyi, adil bir şekilde aşınmış ve yıpranmış ürünleri tamir etmeyi veya değiştirmeyi garanti eder. Ancak bu belirtilenler şu durumlar dışında geçerlidir:

- Ürün ticari veya profesyonel amaçlarla kullanılmışsa veya kiraya verilmişse;
- Ürün yanlış veya amaç dışı kullanılmışsa;
- Ürün yabancı nesnelere, maddelere veya kaza sırasında zarar görmüşse;
- Yetkili tamir servisleri veya BLACK+DECKER servis ekibinden başkası tarafından tamir edilmeye çalışılmışsa.

Garanti talebinde bulunmak için, satıcıya veya yetkili tamir servisine satın aldığınıza dair ispat sunmalısınız. Fatura ve garanti kartı gerekmektedir. Bu kılavuzda belirtilen listeden size en yakın BLACK+DECKER yetkili tamir servisinin yerini öğrenebilirsiniz. Ya da, alternatif olarak internet'ten BLACK+DECKER yetkili tamir servislerinin listesini ve satış sonrası hizmetlerimizle ilgili tüm bilgiler ve temas bilgilerine aşağıdaki siteden ulaşabilirsiniz. www.2helpU.com

Sanayi ve Ticaret Bakanlığı tebliğince kullanım ömrü 7 yıldır.

STANLEY BLACK&DECKER TURKEY
ALET ÜRETİM SAN. TİC. LTD.ŞTİ.
Kozyatağı Mh Değirmen Sk.
Nida Kule No:18 Kat:6
34742 Kadıköy
İstanbul, TÜRKİYE
Tel: +90 216 665 2900
Fax: +90 216 665 2901

Назначение

Ваша угловая шлифмашина BLACK+DECKER™ G650 предназначена для шлифования металла с использованием шлифовальных дисков соответствующего типа. Данный инструмент предназначен только для использования непрофессиональными пользователями.

НЕ ВОЗВРАЩАЙТЕ ДАННЫЙ ПРОДУКТ В МАГАЗИН.

Сначала обратитесь в ближайший авторизованный сервисный центр BLACK+DECKER.

ОБЩИЕ ПРАВИЛА БЕЗОПАСНОСТИ



Внимание! Внимательно прочтите все инструкции. Несоблюдение всех перечисленных ниже инструкций может привести к поражению электрическим током, возникновению пожара и/или получению тяжёлой травмы.

СОХРАНИТЕ ДАННЫЕ ИНСТРУКЦИИ

ИНСТРУКЦИИ ПО ТЕХНИКЕ БЕЗОПАСНОСТИ

Общие правила безопасности при работе с электроинструментами.

Внимание! ВВнимательно прочтите все инструкции по безопасности и руководство по эксплуатации.

Несоблюдение всех перечисленных ниже правил безопасности и инструкций может привести к поражению электрическим током, возникновению пожара и/или получению тяжёлой травмы.

Сохраните все инструкции по безопасности и руководство по эксплуатации для их дальнейшего использования. Термин «Электроинструмент» во всех приведённых ниже указаниях относится к вашему сетевому (с кабелем) электроинструменту или аккумуляторному (беспроводному) электроинструменту.

1. Указания по безопасности на рабочем месте

- a. Рабочее место должно содержаться в чистоте и должно быть оборудовано надлежащим освещением. Беспорядок или плохое освещение на рабочем месте может привести к несчастному случаю.
- b. Запрещается использование электрического инструмента во взрывоопасной среде, например, в условиях наличия легковоспламеняющихся жидкостей, газов или пыли. Искры, возникающие при работе электрического инструмента, могут воспламенить пыль, пары и газы.
- c. Запрещается нахождение детей и посторонних лиц вблизи работающего электрического инструмента. Отвлекающие факторы могут привести к потере контроля за работой инструмента.
2. Электрическая безопасность
 - a. Вилка шнура электрического инструмента должна соответствовать сетевой розетке. Запрещается вносить какие-либо изменения в вилку электрического шнура. Запрещается использование каких-либо штепсельных переходников при работе заземленного электрического инструмента. Отсутствие изменений в вилках электрических шнуров и соответствие электрических вилок и розеток снижает риск поражения электрическим током.
 - b. Не допускайте контакта тела с заземленными поверхностями таких объектов, как трубы, радиаторы, электроплиты и холодильники. Если ваше тело заземлено, риск его поражения электрическим током повышается.
 - c. Электрические инструменты не должны подвергаться воздействию дождя и находится в условиях повышенной влажности. При попадании влаги внутрь электрического инструмента повышается риск поражения электрическим током.
 - d. Запрещается использовать электрический шнур не по назначению. Никогда не берите, не тяните и не вынимайте электрический инструмент за шнур. Электрический шнур не должен находиться вблизи источников тепла, масла, острых краев и движущихся деталей. Поврежденные и закрученные электрические шнуры повышают риск поражения электрическим током.
 - e. При работе электрического инструмента на открытом воздухе используйте соответствующий удлиннитель. Использование удлинителя, предназначенного для работы на открытом воздухе, снижает риск поражения электрическим током.
 - f. Если работы с помощью электрического инструмента внутри влажного помещения должны быть выполнены обязательно, в таком случае необходимо использовать устройство защитного отключения (УЗО) электрической сети. Использование УЗО снижает риск поражения электрическим током. **Примечание:** Термин «устройство защитного отключения (УЗО)» может быть заменен термином «выключатель короткого замыкания на землю (ВКЗЗ)» или термином «автоматический выключатель утечки на землю (АВУЗ)».

- 3. Безопасность персонала**
- a. При работе с электрическим инструментом необходимо быть осмотрительным, видеть выполняемую работу и руководствоваться здравым смыслом. Запрещается работать с электрическим инструментом в состоянии усталости и под воздействием наркотиков, алкоголя и лекарственных препаратов.** Ослабление внимания даже на мгновение может привести к серьезной травме.
- b. Используйте средства индивидуальной защиты. Всегда надевайте средства защиты глаз.** Используемые в соответствующих условиях средства индивидуальной защиты, такие как пылезащитная маска, несколько защитная обувь, защитная каска или средства защиты органов слуха, всегда снижают риск травмирования.
- c. Не допускайте непреднамеренного включения инструмента. Перед тем, так подключить источник питания или аккумулятор, поднимая или неся инструмент, проверьте, чтобы его выключатель находился в выключенном положении.** Переноска инструмента пальцем, расположенном на его выключателе, или включенного инструмента повышает риск несчастного случая.
- d. Перед включением инструмента всегда снимайте с него регулировочный и гаечный ключ.** Оставленный на вращающейся детали инструмента ключ может привести к травмированию.
- e. Не прикладывайте к инструменту чрезмерное усилие во время работы. Всегда прочно держитесь на ногах и сохраняйте равновесие во время работы.** Это позволяет лучше контролировать электрический инструмент в непредвиденных ситуациях.
- f. Надевайте соответствующую одежду. Запрещается надевать свободную одежду и украшения. Волосы, одежда и перчатки должны находиться на расстоянии от движущихся деталей инструмента.** Свободная одежда, украшения или длинные волосы могут быть захвачены движущимися деталями.
- g. Если установлены устройства подключения средств пылеулавливания и пылесборников, необходимо проверить, чтобы они были подключены и использовались надлежащим образом.** Использование средств пылеулавливания снижает уровень риска, связанного с наличием пыли в воздухе.
- 4. Использование и уход за электрическим инструментом**
- a. Не прикладывайте чрезмерное усилие к электрическому инструменту. Используйте электрический инструмент, соответствующий выполняемой задаче.** При использовании надлежащего инструмента вы выполните работу лучше, с меньшим риском и со скоростью, на которую рассчитан ваш инструмент.
- b. Запрещается использовать инструмент, если его выключатель не включается и не выключается.** Любой электрический инструмент, работой которого нельзя управлять с помощью его выключателя, представляет собой опасность и подлежит обязательному ремонту.
- c. Перед выполнением регулировки электрического инструмента, заменой его принадлежностей и постановкой на хранение необходимо вынуть вилку его электрического шнура из розетки и/или достать из него аккумулятор.** Такая превентивная мера безопасности снижает риск случайного включения инструмента.
- d. Храните электрический инструмент, который в данный момент не используется, в недоступном для детей месте и разрешайте работать с инструментом лицам, которые не знакомы с ним или с этими указаниями.** Электрический инструмент является опасным в руках необученного человека.
- e. Поддерживайте инструмент в рабочем состоянии. Проверяйте центровку и соединение движущихся деталей, наличие поврежденных деталей и любые факторы, которые могут отрицательно сказаться на работе электрического инструмента. В случае обнаружения повреждения электрический инструмент необходимо отремонтировать.** Много несчастных случаев происходит вследствие того, что инструмент находится в ненадлежащем состоянии.
- f. Режущие инструменты должны быть остро заточенными и чистыми.** Поддерживаемый в надлежащем рабочем состоянии режущий инструмент с острыми режущими кромками меньше застревает и легче управляется.
- g. Используйте электрический инструмент, принадлежности, вставные резцы и т.д. в соответствии с данными указаниями, учитывая условия эксплуатации и работу, которая должна быть выполнена.** Использование электрического инструмента с целью, отличной от предусмотренного назначения, может привести к опасной ситуации.

5. Обслуживание

- a. **Обслуживать электрический инструмент должен только квалифицированный ремонтный персонал, при этом должны использоваться только оригинальные запасные детали.** Благодаря этому будет поддерживаться безопасное рабочее состояние электрического инструмента.

МЕРЫ БЕЗОПАСНОСТИ ПРИ ВЫПОЛНЕНИИ ВСЕХ ОПЕРАЦИЙ

- a. **Данный электроинструмент предназначен для шлифования. Внимательно прочтите все инструкции по использованию, правила безопасности, спецификации, а также рассмотрите все иллюстрации, входящие в руководство по эксплуатации данного электроинструмента.** Несоблюдение всех перечисленных ниже инструкций может привести к поражению электрическим током, возникновению пожара и/или получению серьезной травмы.
- b. **Не рекомендуется выполнение данным инструментом работ по резке, зачистке, очистке металлической щёткой или полировке.** Использование инструмента не по назначению может привести к повреждению инструмента и получению телесной травмы.
- c. **Не используйте дополнительные принадлежности и насадки, специально не разработанные и не рекомендованные производителем инструмента.** Возможность установки принадлежности и насадок на электроинструмент не обеспечивает безопасности при его использовании.
- d. **Номинальная скорость вращения насадок должна соответствовать скорости, указанной на электроинструменте.** Круги и прочие насадки при вращении на скорости, превышающей их номинальную скорость, могут разрушиться и сорваться с крепления.
- e. **Внешний диаметр и толщина насадки должны соответствовать диапазону мощности Вашего электроинструмента.** Насадка неправильного размера не закрывается надлежащим образом защитным кожухом и не обеспечивает контроля при управлении инструментом.
- f. **Монтажная резьба насадок должна соответствовать резьбе шпинделя шлифмашины. Для насадок, устанавливаемых на фланцы: посадочное отверстие насадки должно соответствовать установочному диаметру фланца.** Насадки, не соответствующие

крепёжным деталям электроинструмента, могут стать причиной разбалансированности, повышенной вибрации и потери контроля над электроинструментом.

- g. **Не используйте повреждённые насадки. Перед каждым использованием проверяйте абразивные диски на наличие сколов и трещин, диски-подшвы - на наличие надрывов и трещин, проволочные щётки - на наличие ослабленной или сломанной проволоки. В случае падения электроинструмента или насадки проверьте их на наличие повреждений или установите неповреждённую насадку. После проверки и установки насадки отведите электроинструмент от себя и посторонних лиц в сторону и запустите его на максимальной скорости без нагрузки в течение одной минуты.** Повреждённые насадки отлетят в сторону в течение данного тестового периода.
- h. **Используйте средства индивидуальной защиты. В зависимости от типа выполняемых работ надевайте щиток для защиты лица, защитную маску или защитные очки. В соответствии с необходимостью надевайте респиратор, защитные наушники, перчатки и рабочий фартук, способный защитить от отлетающих мелких абразивных частиц и фрагментов обрабатываемой детали.** Средства защиты для глаз должны останавливать частицы, вылетающие при выполнении различных видов работ. Противопылевая маска или респиратор должны обеспечивать фильтрацию твёрдых частиц, образующихся в ходе работ. Длительное воздействие шума высокой интенсивности может привести к нарушениям слуха.
- i. **Не подпускайте посторонних лиц близко к рабочей зоне. Любое лицо, входящее в рабочую зону, должно использовать средства индивидуальной защиты.** Отлетающие фрагменты обрабатываемой детали или разрушенной насадки могут стать причиной получения травмы даже за пределами рабочей зоны.
- j. **Держите электроинструмент только за изолированные поверхности при выполнении работ, во время которых режущая принадлежность может задеть скрытую проводку или кабель подключения к электросети.** Контакт насадки с находящимся под напряжением проводом делает не покрытые изоляцией металлические части электроинструмента также «живыми», что создаёт опасность поражения оператора электрическим током.

- к. Располагайте кабель подключения к электросети на удалении от вращающейся насадки.** В случае потери контроля кабель может быть разрезан или защемлён, а Ваша рука может быть затянута вращающейся насадкой.
- l. Никогда не кладите электроинструмент, пока насадка полностью не остановится.** Вращающаяся насадка может задеть за поверхность, и электроинструмент вырвется из Ваших рук.
- m. Не включайте электроинструмент, если насадка направлена на Вас.** Случайный контакт с вращающейся насадкой может привести к захвату насадкой Вашей одежды и получению телесной травмы.
- n. Регулярно очищайте вентиляционные отверстия электроинструмента.** Вентилятор электродвигателя затягивает пыль внутрь корпуса, а скопление большого количества пыли на металле электродвигателя повышает риск поражения электротоком.
- o. Не используйте электроинструмент вблизи с пожароопасными материалами.** Искровые разряды могут привести к их воспламенению.
- p. Не используйте насадки, требующие жидкостного охлаждения.** Использование воды или других жидких охлаждающих средств может привести к поражению электрическим током вплоть до смертельного исхода.

ДОПОЛНИТЕЛЬНЫЕ МЕРЫ БЕЗОПАСНОСТИ ПРИ ВЫПОЛНЕНИИ ВСЕХ ОПЕРАЦИЙ

ПРИЧИНЫ ОБРАТНОГО УДАРА И МЕРЫ ПО ЕГО ПРЕДОТВРАЩЕНИЮ

Обратный удар является внезапной реакцией на защемление или застревание вращающегося диска, диска-подшвы, щётки или какой-либо другой насадки. Защемление или застревание могут стать причиной мгновенной остановки вращающейся насадки, что в свою очередь приводит к потере контроля над электроинструментом и его внезапному отбрасыванию назад в направлении, противоположном вращению насадки.

Например, если абразивный круг был защемлён или застрял в заготовке, край круга в момент защемления может врезаться в поверхность заготовки, в результате чего круг поднимается или отскакивает назад. В зависимости от направления движения круга в момент защемления, круг может резко подняться в сторону или от оператора. В этот момент абразивные круги могут также сломаться. Обратный удар является результатом

использования инструмента не по назначению и/или неправильных действий оператора и условий работы, и его можно избежать, соблюдая следующие меры безопасности:

- a. Крепко удерживайте электроинструмент и следите за положением тела и рук, чтобы эффективно противостоять воздействию обратного удара. Для максимального контроля силы обратного удара или реакции от крутящего момента всегда используйте вспомогательную рукоятку, если она предусмотрена.** При соблюдении соответствующих мер предосторожности оператор может контролировать силу обратного удара и реакцию от крутящего момента.
- b. Никогда не держите руки вблизи от вращающейся насадки.** При обратном ударе насадка может поранить Ваши руки.
- c. Не стойте в зоне действия обратного удара электроинструмента.** В момент заклинивания сила обратного удара отбросит инструмент в направлении, обратном движению диска.
- d. Будьте особенно осторожны при обработке углов, острых кромок и пр. Избегайте отскакивания и заклинивания насадки.** Именно при обработке углов, острых кромок или при отскакивании высока вероятность заклинивания вращающейся насадки, что может послужить причиной потери контроля над инструментом или образования обратного удара.
- e. Не устанавливайте на инструмент диск для резьбы по дереву или зубчатый пильный диск.** Данные диски увеличивают вероятность возникновения обратного удара и потери контроля над инструментом.

СПЕЦИАЛЬНЫЕ МЕРЫ БЕЗОПАСНОСТИ ПРИ ШЛИФОВАНИИ

- a. Используйте только круги, рекомендованные для использования с Вашим электроинструментом, а также защитные кожухи, специально разработанные для выбранного типа кругов.** Круги, не предназначенные для использования с данным электроинструментом, не будут надёжно защищены кожухом и представляют опасность.
- b. Шлифовальная поверхность кругов с утолщённым центром должна быть установлена ниже плоскости кромки защитного кожуха.** Неправильно установленный круг, выступающий за плоскость кромки защитного кожуха, не будет защищён должным образом.

с. Защитный кожух должен быть надёжно закреплён на электроинструменте. Для достижения максимальной безопасности кожух должен быть установлен таким образом, чтобы со стороны оператора была открыта самая незначительная часть круга. Защитный кожух поможет защитить оператора от фрагментов разрушенного круга и случайного контакта с кругом, а также от искр, способных воспламенить одежду оператора.

д. Круги должны использоваться только строго в соответствии с их назначением. Например, не выполняйте шлифование боковой стороной отрезного диска. Абразивные отрезные диски предназначены для шлифования периферией круга, поэтому боковая сила, применимая к данному типу дисков, может стать причиной их разрушения.

е. Всегда используйте неповреждённые дисковые фланцы, размер и форма которых полностью соответствуют выбранному Вами типу кругов. Правильно подобранные дисковые фланцы поддерживают круг, снижая вероятность его разрушения. Фланцы для отрезных дисков могут отличаться от фланцев для шлифовальных кругов.


ф. Никогда не используйте изношенные круги с электроинструментов большей мощности. Круги, предназначенные для использования с электроинструментами большей мощности, не подходят для высоких скоростей инструментов меньшей мощности, и могут разрушиться.

ДОПОЛНИТЕЛЬНЫЕ ПРАВИЛА БЕЗОПАСНОСТИ ПРИ РАБОТЕ МАЛЫМИ УГЛОВЫМИ ШЛИФМАШИНАМИ

- Используйте защитный кожух и каждый раз проверяйте, что он правильно установлен.
- Убедитесь, что монтажные фланцы и диск не имеют повреждений и установлены правильно.
- Используйте диски правильного типа и размера в соответствии с выполняемой операцией.
- Убедитесь, что диск, проволочная щётка и шлифовальные принадлежности имеют номинальную скорость, превышающую скорость вращения шпинделя Вашей шлифмашины. Перед началом работы дайте машине с только что установленным диском поработать без нагрузки в течение 30 секунд.

Маркировка инструмента

Наклейка на вашем инструменте вместе с кодом даты может содержать следующие символы:

	Прочитайте инструкцию по эксплуатации	Гц Герцы		Конструкция Класс II
	Используйте средства защиты глаз	Вт Ватты		Клемма заземления
	Используйте средства защиты органов слуха	мин минуты		Предупреждающий
			Переменный ток	
			Постоянный ток	
V Вольты			.../мин.	Количество оборотов или возвратных поступательных движений в минуту
A Амперы	n_0 Скорость холостого хода			

Комплект поставки

- 1 Угловая шлифмашина
- 1 Боковая рукоятка
- 1 Спецключ

Местоположение кода даты

Код даты, который также включает в себя год изготовления, отштампован на поверхности корпуса инструмента.

Пример:

2017 XX JN
Год изготовления

Электробезопасность



Данный инструмент защищён двойной изоляцией, что исключает потребность в заземляющем проводе. Всегда проверяйте, соответствует ли напряжение, указанное на табличке с техническими параметрами, напряжению электросети.



Внимание! Во избежание повреждений или получения травмы, замена повреждённого кабеля питания должна производиться только на заводе-изготовителе, в авторизованном сервисном центре BLACK+DECKER или квалифицированным персоналом. При замене кабеля питания квалифицированным лицом, но не имеющим авторизацию BLACK+DECKER, гарантия на продукт будет недействительной.

ОПИСАНИЕ (Рис. А)

1. Передвижной пусковой выключатель
2. Кабель
3. Защитный кожух
4. Корпусный захват

5. Боковая рукоятка (двухпозиционная)
6. Кнопка блокировки шпинделя

ЭКСПЛУАТАЦИЯ

Включение и выключение угловой шлифмашины (Рис. А)

Чтобы включить инструмент, переведите пусковой выключатель (1) вперёд. Чтобы включить инструмент, нажмите на заднюю часть клавиши пускового выключателя (1).

Установка дисков (Рис. В и С)

Выполните следующие действия:

- Отсоедините инструмент от источника питания.
- Убедитесь, что установлен защитный кожух. Установите на шпиндель внутренний фланец (7). Убедитесь, что он установлен на двух плоских гранях.
- Установите на шпиндель и внутренний фланец (8) абразивный диск. Убедитесь, что он правильно установлен.
- Установите резьбовой внешний фланец (9), убедившись, что он повернут правильной стороной, в соответствии с типом установленного диска. При установке на шлифовальный диск фланец (9) должен устанавливаться выпуклым центром в сторону диска. При установке на отрезной диск фланец (9) должен устанавливаться внутренней стороной в сторону от диска.
- Гаечным ключом удерживайте шпиндель за плоские грани, чтобы предотвратить вращение диска, одновременно затягивая внешний фланец ключом, входящим в комплект поставки инструмента.
- Нажмите на кнопку блокировки шпинделя и поворачивайте шпиндель до его полной фиксации на месте (Рис. С). Удерживая нажатой кнопку блокировки шпинделя, затяните наружный фланец входящим в комплект поставки ключом.

Установка шлифовальных кругов (Рис. D)

- Используйте шлифовальные круги только с установленным шлифовальным диском-подошвой.
- Отсоедините инструмент от источника питания.
- Снимите защитный кожух.
- Установите на шпиндель фланец. Установите на шпиндель и внутренний фланец диск-подошву,

убедившись, что он правильно расположен.

- Установите на диск-подошву абразивный шлифовальный круг с подложкой из фибры.
- Установите резьбовой внешний фланец и затяните его, как было описано в разделе «Установка дисков».

Полезные советы (Рис. E)

Крепко держите инструмент одной рукой за боковую рукоятку, другой рукой за корпус.

- Всегда располагайте защитный кожух таким образом, чтобы наиболее выступающая часть диска не была направлена на Вас.
- Будьте готовы к сильному выбросу искр при соприкосновении диска с металлом.

При шлифовании, старайтесь обеспечивать между шлифовальным диском и поверхностью обрабатываемой заготовки угол приблизительно 15° (Рис. D). Это увеличит шлифовальную способность диска и поможет избежать перегрузки инструмента.

Защита от перегрузок

Перегрузка может стать причиной повреждения двигателя Вашей угловой шлифмашины. Это может произойти в случае продолжительного использования Вашей угловой шлифмашины в тяжёлом режиме. Ни при каких обстоятельствах не пытайтесь оказывать слишком большое давление на угловую шлифмашину в целях ускорения рабочего процесса. Абразивные диски работают более эффективно при оказании небольшого давления, что позволяет избежать снижения скорости Вашей угловой шлифмашины.

ТЕХНИЧЕСКОЕ ОБСЛУЖИВАНИЕ

Следите, чтобы на защитных устройствах, вентиляционных прорезях и корпусе двигателя не скапливалась пыль и грязь. Протирайте влажной чистой тканью и используйте для сдува сжатый воздух. Чрезмерное скопление металлической пыли может стать проводником электрического тока от внутренних частей инструмента на внешние металлические части.

Избегайте перегрузки Вашей угловой шлифмашины. Перегрузка приведёт к снижению скорости и производительности, а также перегреву угловой шлифмашины. Если это произошло, дайте поработать шлифмашине без нагрузки в течение одной-двух минут – это позволить ей остыть до нормальной рабочей температуры. Включение и выключение угловой шлифмашины, находящейся под нагрузкой, значительно снизит срок службы выключателя.

Важно! В целях обеспечения **БЕЗОПАСНОСТИ** и **ДОЛГОВЕЧНОСТИ** в использовании продукта ремонт, техническое обслуживание и регулировка (кроме перечисленных в данном руководстве по эксплуатации) должны производиться только в авторизованных сервисных центрах или других квалифицированных мастерских и только с использованием идентичных запасных частей.

Защита окружающей среды



Раздельный сбор отходов. Запрещается утилизировать этот продукт вместе с обычными бытовыми отходами.

Если вы решите, что ваше изделие BLACK+DECKER необходимо заменить, или если вы не будете его больше использовать, не утилизируйте его вместе с бытовыми отходами. Этот продукт подлежит раздельному сбору отходов.



Раздельный сбор использованных продуктов и упаковочных материалов позволяет производить их вторичную переработку с дальнейшим повторным использованием. Повторное использование материалов, прошедших вторичную переработку, снижает загрязнение окружающей среды и уменьшает потребность в сырьевых материалах.

Нормативные акты местных органов власти могут предусматривать сбор использованных электрических изделий отдельно от бытовых отходов, в муниципальных пунктах сбора отходов или в магазине при покупке нового изделия.

BLACK+DECKER предоставляет возможность для сбора и повторной переработки продуктов BLACK+DECKER после окончания срока их службы. Чтобы воспользоваться преимуществом этого сервиса, пожалуйста, отправьте ваш продукт любому уполномоченному представителю по ремонту, который собирает такие изделия от нашего имени.

ИНФОРМАЦИЯ ПО ТЕХНИЧЕСКОМУ ОБСЛУЖИВАНИЮ

BLACK+DECKER имеет обширную сеть принадлежащих компании и авторизованных сервисных центров. В целях предоставления клиентам эффективного и надёжного технического обслуживания электроинструментов во всех сервисных центрах BLACK+DECKER работает обученный персонал. За дополнительной информацией о наших авторизованных сервисных центрах, а также, если Вы нуждаетесь в технической консультации, ремонте или покупке оригинальных запасных частей, обратитесь в

ближайший к Вам сервисный центр BLACK+DECKER или посетите наш сайт www.blackanddecker.com

ТЕХНИЧЕСКИЕ ХАРАКТЕРИСТИКИ

G650	
Мощность	650 Вт
Диаметр диска	115 мм
Напряжение	220-240 В~ 50/60 Гц
Число оборотов без нагрузки	12000 об/мин
Размер шпинделя	5/8"-11 / M14
Длина кабеля	2 м



Гарантийные условия

Уважаемый покупатель!

1. Поздравляем Вас с покупкой высококачественного изделия Black+Decker и выражаем признательность за Ваш выбор.
2. При покупке изделия требуйте проверки его комплектности и исправности в Вашем присутствии, инструкцию по эксплуатации и заполненный гарантийный талон на русском языке.

В гарантийном талоне должны быть внесены: модель, дата продажи, серийный номер, дата производства инструмента; название, печать и подпись торговой организации. При отсутствии у Вас правильно заполненного гарантийного талона мы будем вынуждены отклонить Ваши претензии по качеству данного изделия.

3. Во избежание недоразумений убедительно просим Вас перед началом работы с изделием внимательно ознакомиться с инструкцией по его эксплуатации.

Правовой основой настоящих гарантийных условий является действующее Законодательство.

Гарантийный срок на данное изделие составляет 24 месяца и исчисляется со дня продажи. В случае устранения недостатков изделия, гарантийный срок продлевается на период его нахождения в ремонте. Срок службы изделия - 5 лет со дня продажи.

4. В случае возникновения каких-либо проблем в процессе эксплуатации изделия рекомендуем Вам обращаться только в уполномоченные сервисные центры BLACK+DECKER, адреса и телефоны которых Вы сможете найти в гарантийном талоне, на сайте www.2helpU.com или узнать в магазине. Наши сервисные станции - это не только квалифицированный ремонт, но и широкий ассортимент запчастей и принадлежностей.
5. Производитель рекомендует проводить периодическую проверку и техническое обслуживание изделия в уполномоченных сервисных центрах.



Изготовитель

Блэк энд Деккер Холдингс ГмбХ
Германия, 65510, Идштайн,
ул. Блэк энд Деккер, 40

6. Наши гарантийные обязательства распространяются только на неисправности, выявленные в течение гарантийного срока и вызванные дефектами производства и \ или материалов.
7. Гарантийные обязательства не распространяются на неисправности изделия, возникшие в результате:
 - 7.1. Несоблюдения пользователем предписаний инструкции по эксплуатации изделия, применения изделия не по назначению, неправильному хранении, использования принадлежностей, расходных материалов и запчастей, не предусмотренных производителем.
 - 7.2. Механического повреждения (сколы, трещины и разрушения) внутренних и внешних деталей изделия, основных и вспомогательных рукояток, сетевого электрического кабеля, вызванного внешним ударным или любым иным воздействием.
 - 7.3. Попадания в вентиляционные отверстия и проникновение внутрь изделия посторонних предметов, материалов или веществ, не являющихся отходами, сопровождающими применение изделия по назначению, такими как: стружка, опилки, песок, и пр.
 - 7.4. Воздействие на изделие неблагоприятных атмосферных и иных внешних факторов, таких как дождь, снег, повышенная влажность, нагрев, агрессивные среды, несоответствие параметров питающей электросети, указанным на инструменте.
 - 7.5. Стихийного бедствия. Повреждение или утрата изделия, связанное с непредвиденными бедствиями, стихийными явлениями, в том числе вследствие действия непреодолимой силы (пожар, молния, потоп и другие природные явления), а так же вследствие перепадов напряжения в электросети и другими причинами, которые находятся вне контроля производителя.
8. Гарантийные условия не распространяются:
 - 8.1. На инструменты, подвергавшиеся вскрытию, ремонту или модификации вне уполномоченной сервисного центра.
 - 8.2. На детали и узлы, имеющие следы естественного износа, такие как: приводные ремни и колеса, угольные щетки, смазка, подшипники, зубчатое зацепление редукторов, резиновые уплотнения, сальники, направляющие ролики, муфты, выключатели, бойки, толкатели, стволы и т.п.
 - 8.3. на сменные части: патроны, цанги, зажимные гайки и фланцы, фильтры, аккумуляторные батареи, ножи, шлифовальные подошвы, цепи, звездочки, пыльные шины, защитные кожухи, пилки, абразивы, пыльные и абразивные диски, фрезы, сверла, буры и т.п.
 - 8.4. На неисправности, возникшие в результате перегрузки инструмента (как механической, так и электрической), повлекшей выход из строя одновременно двух и более деталей и узлов, таких как: ротора и статора, обеих обмоток статора, ведомой и ведущей шестерни редуктора и других узлов и деталей. К безусловным признакам перегрузки изделия относятся, помимо прочего: появление цветов побежалости, деформация или оплавление деталей и узлов изделия, потемнение или обугливание изоляции проводов электродвигателя под воздействием высокой температуры.



Приложение к руководству по эксплуатации электроинструмента
Пилы дисковые

Модели: SGM146*, SGV115*, KS8215*, G650*, FME821*, FME822*, G850*, KG751*, SGV1* - Сделано в Китае.

Где символ "*" - различные варианты исполнения изделия.

Сертификат №: RU C-DE.АЯ46.В.78174

Действителен до: 12 января 2019 г.

Выдан: Орган по сертификации "РОСТЕСТ- Москва", Адрес: 119049, г. Москва, улица Житная, д. 14, стр. 1; 117418, Москва, Нахимовский просп., 31 (фактический), Телефон: (499) 1292311, (495) 6682893, Факс: (495) 6682893, E-mail: office@rostest.ru

Изготовитель: Блэк энд Деккер Холдингс ГмБХ

Германия, 65510, Идштайн,

ул. Блэк энд Деккер, 40

Хранение.

Необходимо хранить в сухом месте, вдали от источников повышенных температур и воздействия солнечных лучей. При хранении необходимо избегать резкого перепада температур. Хранение без упаковки не допускается

Срок службы.

Срок службы изделия составляет 5 лет. Не рекомендуется к эксплуатации по истечении 5 лет хранения с даты изготовления без предварительной проверки. Дата изготовления (код даты) указана на корпусе инструмента. Код даты, который также включает год изготовления, отштампован на поверхности корпуса изделия.

Пример:

2014 46 XX, где 2014 –год изготовления, 46-неделя изготовления.

Определить месяц изготовления по указанной неделе изготовления можно согласно приведенной ниже таблице.

Уполномоченное изготовителем юр.лицо:

ООО "Стэнли Блэк энд Деккер", 117485, город Москва, улица Обручева, дом 30/1, строение 2

Телефон: + 7 (495) 258-3981, факс: + 7 (495) 258-3984, E-mail: inbox@dewalt.com

Сведения о импортере указаны в сопроводительной документации и/или на упаковке

Транспортировка.

Категорически не допускается падение и любые механические воздействия на упаковку при транспортировке.

При разгрузке/погрузке не допускается использование любого вида техники, работающей по принципу зажима упаковки.

Перечень критических отказов, возможные ошибочные действия персонала.

Не допускается эксплуатация изделия:

- При появлении дыма из корпуса изделия
- При поврежденном и/или оголенном сетевом кабеле
- при повреждении корпуса изделия, защитного кожуха, рукоятки
- при попадании жидкости в корпус
- при возникновении сильной вибрации
- при возникновении сильного искрения внутри корпуса

Критерии предельных состояний

- При поврежденном и/или оголенном сетевом кабеле
- при повреждении корпуса изделия

Месяц	Январь	Февраль	Март	Апрель	Май	Июнь	Июль	Август	Сентябрь	Октябрь	Ноябрь	Декабрь	Год производства
Неделя	01	05	09	14	18	22	27	31	36	40	44	49	2014
	02	06	10	15	19	23	28	32	37	41	45	50	
	03	07	11	16	20	24	29	33	38	42	46	51	
	04	08	12	17	21	25	30	34	39	43	47	52	
	05	09	13	18	22	26	31	35	40	44	48		
Неделя			14			27							2015
	01	05	09	14	18	23	27	31	36	40	44	49	
	02	06	10	15	19	24	28	32	37	41	45	50	
	03	07	11	16	20	25	29	33	38	42	46	51	
	04	08	12	17	21	26	30	34	39	43	47	52	
Неделя			13	18	22	27	31	35	40	44	48	53	2016
			14					36			49		
	01	05	09	13	17	22	26	31	35	39	44	48	
	02	06	10	14	18	23	27	32	36	40	45	49	
	03	07	11	15	19	24	28	33	37	41	46	50	
Неделя	04	08	12	16	20	25	29	34	38	42	47	51	2017
			13	17	21	26	30	35	39	43	48	52	
					22				44				
	01	05	09	13	18	22	26	31	35	39	44	48	
	02	06	10	14	19	23	27	32	36	40	45	49	
03	07	11	15	20	24	28	33	37	41	46	50	2017	
04	08	12	16	21	25	29	34	38	42	47	51		
05	09	13	17	22	26	30	35	39	43	48	52		
					31				44				

Призначення

Кутова шліфувальна машина BLACK+DECKER™ G650 була розроблена для шліфування металу за допомогою шліфувального кола відповідного типу. Цей інструмент призначений виключно для побутового використання.

ПЕРШ НІЖ ПОВЕРНУТИ ПРОДУКТ В МАГАЗИН, зверніться спочатку до вашого регіонального представництва BLACK + DECKER або до найближчого авторизованого сервісного центру.

ЗАГАЛЬНІ ПРАВИЛА ТЕХНІКИ БЕЗПЕКИ



Увага! Уважно вивчіть всі вказівки з техніки безпеки. Недотримання вказівок щодо безпечної роботи може призвести до ураження електричним струмом, пожежі та/або серйозних травм персоналу.

ЗБЕРЕЖІТЬ ЦІ ІНСТРУКЦІЇ

ВКАЗІВКИ З ТЕХНІКИ БЕЗПЕКИ

Загальні вказівки щодо безпечної роботи з електричним інструментом.

Увага! Уважно прочитайте всі попереджувальні написи та вказівки з техніки безпеки. Порушення наведених нижче попереджувальних написів і вказівок може призвести до ураження електричним струмом, пожежі та/або серйозних травм.

Збережіть усі застереження та вказівки з техніки безпеки для подальшого використання. Термін «електричний інструмент», що використовується у всіх застережливих написах та вказівках щодо техніки безпеки, представлених нижче, відноситься до електричного інструменту, що працює від мережі (зі шнуром електроживлення) або від акумуляторної батареї (без шнура живлення).

1. Вказівки з техніки безпеки на робочому місці

- a. **Утримуйте робоче місце в чистоті і добре освітленим.** Безлад або погане освітлення на робочому місці можуть призвести до нещасного випадку.
- b. **Не працюйте з електроінструментом в місці зберігання вибухонебезпечних матеріалів, наприклад, у присутності легкозаймистих рідин, газів або пилу.** Електричні інструменти створюють іскри, що можуть запалити пил або пари.
- c. **Забороняється перебування дітей та сторонніх осіб поблизу працюючого електричного інструменту.** Відволікання може призвести до втрати контролю за роботою інструмента.

2. Електрична безпека

- a. **Вилка шнура живлення інструмента повинна відповідати мережевій розетці. Забороняється вносити будь-які зміни у вилку шнура живлення. Не використовуйте жодних вилок-перехідників із заземленими (зануленими) електроінструментами.** Відсутність змін у вилках шнурів живлення та відповідність електричних вилок і розеток знижує ризик ураження електричним струмом.
 - b. **Не торкайтеся поверхонь заземлених чи занулених предметів, наприклад труб, радіаторів, електроплит або холодильників.** Заземлення чи занулення тіла підвищує ризик ураження електричним струмом.
 - c. **Забороняється піддавати електричні інструменти впливу дощу чи підвищеної вологості.** При попаданні вологи всередину електричного інструмента підвищується ризик ураження електричним струмом.
 - d. **Обережно поведіться зі шнуром живлення. У жодному разі не використовуйте шнур живлення для перенесення чи зміни положення інструмента; не тягніть за шнур, виймаючи вилку з розетки. Не прокладайте шнур живлення поруч із гарячими предметами, мастилом, гострими кроями і рухомими деталями.** Пошкодження й заплутування шнурів живлення підвищує ризик ураження електричним струмом.
 - e. **Під час роботи з електричним інструментом за межами приміщень використовуйте відповідний подовжувач.** Використання подовжувача, призначеного для роботи поза приміщеннями, знижує ризик ураження електричним струмом.
 - f. **Якщо електричним інструментом необхідно користуватись у вологому місці, слід використовувати пристрій захисного відключення (ПЗВ) електричної мережі.** Використання ПЗВ знижує ризик ураження електричним струмом. **Примітка.** Термін «пристрій захисного відключення» (ПЗВ) може бути замінений терміном «вимикач короткого замикання на землю» (ВКЗЗ) або терміном «автоматичний вимикач витoku на землю» (АВВЗ).
- #### 3. Безпека персоналу
- a. **Під час роботи з електричним інструментом необхідно бути обачним, слідкувати за виконуваною роботою та керуватися здоровим глуздом. Забороняється працювати з електричним інструментом у стані втоми чи під впливом наркотиків, алкоголю й лікарських препаратів.** Ослаблення уваги навіть на мить може призвести до серйозної травми.

- b. Використовуйте засоби індивідуального захисту. Завжди користуйтеся засобами захисту очей.** Використання у відповідних умовах засобів індивідуального захисту, наприклад пилозахисної маски, протиковзного захисного взуття, захисної каски або засобів захисту органів слуху, завжди знижує ризик отримання травми.
- c. Не допускайте ненавмисного вмикання інструмента. Перш ніж підключити джерело живлення та/або акумулятор, піднімаючи або несучи інструмент, перевірте, щоб його вимикач знаходився у вимкненому положенні.** Якщо тримати палець на вимикачі під час перенесення інструмента чи підключення увімкненого інструмента до мережі, це підвищує ризик нещасного випадку.
- d. Перш ніж увімкнути електричний інструмент, обов'язково вийміть із нього регулювальний чи гайковий ключ.** Ключ, залишений ключ на обертовій деталі інструмента, може призвести до травмування.
- e. Не намагайтеся дотягнутися до важкодоступних місць. Завжди міцно тримайтеся на ногах і зберігайте рівновагу під час роботи.** Це дозволяє краще контролювати електричний інструмент у непередбачуваних ситуаціях.
- f. Одягайте відповідний одяг. Забороняється одягати вільний одяг або прикраси. Волосся, одяг та рукавиці повинні знаходитися на максимальній відстані від рухомих деталей інструмента.** Вільний одяг, прикраси або довге волосся можуть бути захоплені рухомими деталями.
- g. Якщо встановлені пристрої підключення засобів пиловловлювання та пилозбірників, необхідно перевіряти, щоб вони були підключені та використовувалися належним чином.** Використання цих пристроїв знижує рівень ризику, пов'язаного з пилом.
- 4. Використання та догляд за електричним інструментом**
- a. Не застосовуйте надмірне зусилля до електричного інструмента. Використовуйте електричний інструмент тільки за призначенням.** Правильно підібраний електроінструмент дозволить виконати роботу краще і безпечніше при швидкості, на яку він розрахований.
- b. Забороняється використовувати цей електричний інструмент, якщо не вдається ввімкнути чи вимкнути його вимикачем.** Будь-який електричний інструмент, роботою якого неможливо керувати за допомогою вимикача, є небезпечним, і його обов'язково потрібно відремонтувати.
- c. Перш ніж регулювати електричний інструмент, замінювати на ньому приладдя чи класти на зберігання, необхідно витягти вилку живлення з розетки та/або зняти з нього акумулятор.** Такий превентивний захід безпеки знижує ризик випадкового увімкнення інструмента.
- d. Зберігайте електричний інструмент, який в даний момент не використовується, в недоступному для дітей місці та не дозволяйте працювати з інструментом особам, які не знайомі з ним або з цими вказівками.** Електричний інструмент є небезпечним в руках ненавченої людини.
- e. Підтримуйте інструмент в робочому стані. Перевіряйте центрування та з'єднання рухомих деталей, наявність пошкоджених деталей та будь-які фактори, які можуть негативно позначитися на роботі електричного інструмента.** У разі виявлення пошкодження електричний інструмент необхідно відремонтувати перед використанням. Багато нещасних випадків трапляється через неналежне технічне обслуговування електричних інструментів.
- f. Ріжучі інструменти мають бути загостреними й чистими.** Підтримуваний у належному робочому стані ріжучий інструмент з гострими лезами менше застряє, ним легше керувати.
- g. Використовуйте електричний інструмент, приладдя, вставні різці тощо відповідно до даних вказівок, враховуючи умови експлуатації та роботу, яка повинна бути виконана.** Використання електричного інструмента всупереч призначенню може призвести до виникнення небезпечної ситуації.
- 5. Обслуговування**
- a. Обслуговувати електричний інструмент повинен тільки кваліфікований ремонтний персонал, і при цьому повинні використовуватися тільки оригінальні запасні деталі.** Це забезпечить утримання електричного інструмента у безпечному стані.

ВКАЗІВКИ ЩОДО БЕЗПЕЧНОГО ВИКОНАННЯ ВСІХ ОПЕРАЦІЙ

- a. Цей електричний інструмент призначений для використання в якості шліфувальної машини. Уважно вивчіть всі попереджувальні знаки, вказівки щодо безпечної роботи, графічні матеріали та технічні описи, що додаються до даного електричного інструменту.** Недотримання вказівок щодо безпечної роботи може призвести до ураження електричним АШИНОЮ

- b. Цим електричним інструментом не рекомендується виконувати такі операції як різання, піскоструминне оброблення, оброблення дротяною щіткою та полірування.** Операції, на які не розрахована конструкція цього електричного інструменту, можуть призвести до виникнення аварійної ситуації та травм персоналу.
- c. Не використовуйте приладдя, що не були розроблені та не рекомендовані виробником інструменту.** Якщо приладдя можна встановити на ваш інструмент, це ще не є гарантією безпечної роботи.
- d. Номінальна швидкість приладдя повинна щонайменше дорівнювати максимальній швидкості, зазначеній на електричному інструменті.** Приладдя, що працює зі швидкістю, яка перевищує свою номінальну швидкість, може зруйнуватися та розлетітися в сторони.
- e. Зовнішній діаметр та товщина приладдя повинні лежати в межах характеристик вашого електричного інструменту.** Приладдя неправильного розміру не можуть бути належним чином захищені запобіжним щитком, і їх роботу неможливо нормально контролювати.
- f. Різьбове кріплення приладдя має збігатися з різьбою шпинделя шліфувальної машини. Для приладдя, що кріпиться за допомогою фланців, центровий отвір повинен відповідати кріпильному діаметру фланця.** Приладдя, що не збігається з елементами кріплення електричного інструменту, буде розбалансованим, буде відчувати надмірні вібрації та може стати причиною втрати контролю за інструментом.
- g. Забороняється використовувати пошкоджене приладдя. Перед початком роботи завжди перевіряйте приладдя, таке як шліфувальні кола, на наявність сколів та тріщин, підйому на наявність тріщин, дір та надмірного зносу, і дротяну щітку на наявність обламаної дроту. У випадку падіння електричного інструменту та приладдя перевірте їх на наявність пошкоджень або замініть пошкоджене приладдя. Після перевірки та установки приладдя весь персонал повинен відійти у бік від площини обертання приладдя, після чого необхідно ввімкнути електричний інструмент на максимальну швидкість холостого ходу без навантаження. Пошкоджене приладдя за цей час зазвичай розлітається.**
- h. Використовуйте засоби індивідуального захисту. Залежно від способу використання, використовуйте лицьовий щиток, відкриті або закриті захисні окуляри. У разі необхідності надягайте пилозахисну маску, засоби захисту органів слуху, захисні рукавички та робочий фартух, що здатні зупинити дрібні абразивні частки або осколки робочої деталі. Засіб захисту очей повинен зупиняти частинки, що розлітаються, які з'являються під час роботи. Пилозахисна маска або респіратор мають відфільтровувати частинки, які утворюються під час роботи. Тривалий вплив сильного шуму може призвести до погіршення слуху.**
- i. Інші особи повинні перебувати на безпечній відстані від робочої зони. Будь-які особи, які входять до робочої зони, повинні використовувати засоби індивідуального захисту.** Осколки робочої деталі або зруйнованого приладдя можуть розлітатися і стати причиною травмування персоналу за межами безпосередньої зони роботи.
- j. Під час виконання робіт, коли ріжуча деталь електричного інструменту може стикатися з прохованою електропроводкою або зі своїм шнуром, інструмент необхідно тримати тільки за діелектричну поверхню.** При контакті ріжучої деталі з проводом, що під напругою, під напругу можуть потрапити металеві деталі електричного інструменту, внаслідок чого виникає небезпека ураження оператора електричним струмом.
- k. Шнур електроживлення повинен знаходитися на максимальному віддаленні від робочого приладдя.** У разі втрати контролю шнур може бути обрізаний, або з нього може бути обідрана ізоляція, та ваша рука або долонь може бути втягнута у обертове приладдя.
- l. Ніколи не кладіть електроінструмент до повної зупинки рухомих деталей.** Рухомі деталі можуть захопити частину поверхні, в результаті чого інструмент виїде з-під контролю.
- m. При роботі з інструментом не тримайте його збоку.** При випадковому контакті обертового приладдя може порватися ваш одяг, і приладдя може бути втягнуте в тіло.
- n. Виконуйте регулярне очищення вентиляційних отворів електричного інструменту.** Вентилятор двигуна може втягувати пил всередину його корпусу, і через надмірне скупчення металевого пилу може виникнути небезпека ураження електричним струмом.

- o. **Не використовуйте електроінструмент поблизу легкозаймистих матеріалів.** Такі матеріали можуть займатися від іскор.
- p. **Не використовуйте приладдя, що потребує рідких охолоджувачів.** Використання води та інших рідких охолоджувачів може призвести до ураження електричним струмом або навіть смерті.
- d. **Будьте особливо уважними при роботі з кутами, гострими краями і т. п. Не допускайте стрибків та стопоріння приладдя.** Кути, гострі краї та підстрибування призводять до стопоріння обертового приладдя і втрати контролю або віддачі.
- e. **Забороняється прикріплювати до інструменту ніж ланцюгової пили для дерева або зубчастий пильний диск.** Такі полотна швидко часто створюють віддачу та призводять до втрати контролю над інструментом.

ДОДАТКОВІ ВКАЗІВКИ ЩОДО БЕЗПЕЧНОГО ВИКОНАННЯ ВСІХ ОПЕРАЦІЙ

Віддача та пов'язані з нею вказівки щодо безпечної роботи

Віддача — це миттєва реакція на затиснуте або застопорене обертове коло, підшову, щітку та інше приладдя. Затискання або стопоріння призводить до швидкої зупинки обертового приладдя, що, у свою чергу, призводить до того, що некерований електричний інструмент починає обертатися в напрямку, протилежному напрямку обертання приладдя, в точці зчеплення.

Наприклад, якщо шліфувальне коло застопорилося або було затиснуте робочою деталлю, край кола, який заходить в місце стопоріння, може поглибитися в поверхню матеріалу, що призведе до виштовхування або віддачі кола. Залежно від напрямку обертання кола в точці стопоріння, коло може стрибнути в напрямку оператора або від нього. У таких умовах шліфувальні кола можуть також руйнуватися. Віддача є результатом неправильного використання інструменту та/або неправильної послідовності виконання дій та неправильних умов роботи, і може бути усунена при дотриманні заходів безпеки, зазначених нижче:

- a. **Не послабляйте захоплення інструменту та встановіть такі положення корпусу вашого тіла, щоб він чинив опір силам віддачі.** Завжди використовуйте додаткову рукоятку, якщо вона входить в комплект, щоб у максимальному ступені контролювати віддачу або реакцію від крутного моменту під час пуску. Оператор може контролювати реакцію від крутного моменту або віддачу, якщо були зроблені належні запобіжні заходи.
- b. **Ваші руки в жодному разі не мають знаходитися поблизу обертового приладдя.** Приладдя може відскочити назад на вашу руку.
- c. **Не ставайте в зоні, куди ваш інструмент може піти при віддачі.** Віддача буде штовхати інструмент в напрямку, протилежному напрямку руху кола у місці стопоріння.

Спеціальні вказівки з безпечного виконання шліфування і абразивного різання

- a. **Використовуйте тільки ті типи кіл, які рекомендовані для вашого електричного інструменту, і конкретні запобіжні щитки, розроблені для даного кола.** Для кіл, які не відповідають конструкції вашого інструмента, не може бути встановлений належний запобіжний щиток, і тому використання таких кіл є небезпечним.
- b. **Шліфувальна поверхня кіл з втопленням центром повинна встановлюватися нижче площини запобіжного виступу.** Неправильно встановлене коло, що виступає за площину запобіжного виступу, не може бути належним чином обгороджене.
- c. **Запобіжний щиток має бути надійно прикріплений до електричного інструменту та встановлений в положення максимального забезпечення безпеки, при якому до оператора буде звернена найменша відкрита частина кола.** Запобіжний щиток допомагає захищати оператора від частинок кола, від випадкового контакту з колом та від іскор, від яких може загорітися одяг.
- d. **Кола повинні використовуватися тільки в тих випадках, коли вони рекомендовані до застосування.** Наприклад: не можна виконувати шліфування стороною відрізного кола. Абразивні відрізнні кола призначені для шліфування периферією кола, і поперечні сили, прикладені до такого кола, можуть призвести до його руйнування.
- e. **Завжди використовуйте тільки справні фланці для кіл, розмір та форма яких відповідають обраному колу.** Правильно вибраний фланець є опорою для кола, завдяки чому зменшується ймовірність руйнування кола. Фланці для відрізнних кіл можуть відрізнятись від фланців для шліфувальних кіл.

2017 XX JN
Рік виготовлення

f. Забороняється використовувати зношені кола від електричних інструментів більшого розміру.

Коло, призначене для інструменту більшого розміру, не підходить для більшої швидкості інструменту меншого розміру та може зруйнуватися.

ДОДАТКОВІ ВКАЗІВКИ ЩОДО БЕЗПЕЧНОЇ РОБОТИ З МАЛОЮ КУТОВОЮ ШЛІФУВАЛЬНОЮ МАШИНОЮ

- Використовуйте запобіжний щиток і стежте за тим, щоб він був належним чином прикріплений .
- Переконайтесь, що кріпильні фланці і коло правильно прикріплені і не пошкоджені.
- Перед роботою переконайтесь, що обрано коло належного розміру і типу .
- Переконайтесь, що коло, дротяна щітка та приладдя для шліфування розраховані на кількість обертів, що перевищує номінальну кількість обертів шпинделя кутової шліфувальної машини . Знову встановлене коло машини має відпрацювати 30 секунд на холостому ходу перед початком виконання роботи.

Наклейки на інструменті

Наклейка на вашому інструменті разом з кодом дати може містити наступні символи:

	Прочитайте інструкцію з експлуатації.	Hz Hertz	 Конструкція класу II
	Використовуйте засоби захисту очей	W Watts	 Клема заземлення
	Використовуйте засоби захисту органів слуху	dak хвилин	 Попереджувальний знак
	Захист	 Змінне Струм		
V Вольти		 Постійний струм		
A Ампери	/min..		Обероти або цикли зворотно поступального руху за
		п0 Швидкість холостого ходу		

Склад

- 1 кутова шліфувальна машина
- 1 бічна рукоятка
- 1 гайковий ключ

Положення штрих-коду з датою

Штрих-код з датою, який також включає рік виготовлення, надрукований на корпусі.
Приклад:

Електрична безпека



Цей інструмент має подвійну ізоляцію, тому дріт заземлення для нього не потрібен. Завжди перевіряйте, чи мережева напруга відповідає значенню, вказаному в таблиці з паспортними даними.



Увага! У разі пошкодження кабелю живлення, щоб уникнути нещасних випадків з персоналом та пошкодження обладнання, його заміну повинен виконати виробник, авторизований сервісний центр BLACK+DECKER або інша особа, яка володіє належною кваліфікацією. Якщо заміну шнура живлення виконала кваліфікована особа, яка не є уповноваженою особою BLACK+DECKER, гарантійні зобов'язання будуть анульовані.

Функції (Рис. А)

1. Рухомий перемикач
2. Шнур живлення
3. Запобіжний щиток
4. Захват корпусу
5. Бокова рукоятка (2 положення)
6. Кнопка фіксації шпинделя

Робота

Робота з вашою кутовою шліфувальною машиною (Рис. А)

Щоб увімкнути машину, посуньте рухливий перемикач вперед (1). Щоб вимкнути машину, натисніть на задню частину рухомого перемикача.

Установка кіл (Рис. В і С)

У такому випадку виконайте такі дії:

- Від'єднайте штепсельну вилку від джерела електричного живлення.
- Переконайтесь, що захисний щиток встановлений. Встановіть внутрішній фланець (7) на шпиндель. Перевірте, щоб він був розташований на двох гранях.
- Встановіть абразивне коло на шпиндель і внутрішній фланець (8). Переконайтесь що воно встановлене правильн.

- Встановіть зовнішній фланець з різьбленням (9), звертаючи увагу на те, щоб його орієнтація відповідала типу встановленого кола. Для шліфувальних кіл фланець (9) повинен бути встановлений виступом до кола. Для відрізнних кіл фланець (9) повинен бути встановлений внутрішньою частиною від кола.
- Зафіксуйте гайковим ключем грані шпинделя для запобігання обертання кола і затягніть зовнішній фланець ключем, що входить в комплект машини.
- Натисніть кнопку фіксації шпинделя і повертайте шпиндель, поки він не зафіксується за місцем (Рис. С). Утримуючи кнопку фіксації натиснутою, затягніть зовнішній фланець ключем, що входить в комплект машини.

Установка наждакових кіл (Рис. D)

- Для роботи з вашою кутовою шліфувальною машиною використовуйте наждакові кола з підшовою для шліфування.
- Від'єднайте штепсельну вилку від джерела електричного живлення.
- Зніміть захисний щиток.
- Встановіть фланець на шпиндель. Встановіть підшову на шпиндель і внутрішній фланець, переконавшись, що все точно стало на місце.
- Встановіть шліфувальне коло з волокном на підкладку.
- Закрутіть зовнішній фланець з різьбленням і потягніть його до упору, як зазначено в п. «Установка кіл».

Поради для зручного поводження (Рис. E)

Тримайте міцно шліфувальну машину однією рукою за бокову рукоятку і другою рукою за корпус.

- Завжди встановлюйте запобіжний щиток таким чином, щоб відкрита частина кола була спрямована максимально від вас.
- Будьте готові до зливи іскор, коли коло буде торкатися металу.

При шліфуванні завжди витримуйте належний кут між колом і робочою поверхнею (15°)(Рис. D). Завдяки цьому збільшується шліфувальна здатність кола і запобігається необов'язкове перевантаження.

Перевантаження

Перевантаження призводить до пошкодження двигуна

вашої кутової шліфувальної машини. Це може відбутися в тому випадку, якщо ваша кутова шліфувальна машина працювала у важкому режимі навантаження протягом тривалого періоду часу. Ні за яких обставин не намагайтеся прикладати занадто велике зусилля до кутової шліфувальної для збільшення швидкості її роботи. Абразивні диски працюють більш ефективно, коли прикладається невелике зусилля, завдяки чому усувається падіння оборотів вашої кутової шліфувальної машини.

ТЕХНІЧНЕ ОБСЛУГОВУВАННЯ

Запобіжні щитки, вентиляційні отвори і корпус двигуна повинні бути вільними від пилу і бруду. Витирайте пил і бруд чистою тканиною та видувайте пил струменем повітря під низьким тиском. Надмірне накопичення металевго пилу може призвести до появи струмопровідних шляхів між внутрішніми деталями інструменту і зовнішніми металевими деталями.

Не перевантажуйте вашу кутову шліфувальну машину. Перевантаження призводить до зниження швидкості та ефективності роботи машини, внаслідок чого вона почне сильно нагріватися. У такому випадку машина повинна декілька хвилин працювати без навантаження, поки її температура не опуститься до нормального робочого значення. Вимкнення кутової шліфувальної машини в режимі роботи під навантаженням призведе до скорочення терміну служби перемикача.

Важливо! Щоб гарантувати БЕЗПЕКУ та НАДІЙНІСТЬ інструменту, ремонт, обслуговування та налаштування (окрім описаних в цій інструкції) повинні проводитись в авторизованих сервісних центрах або кваліфікованими працівниками, завжди з використанням ідентичних запчастин.

Захист навколишнього середовища



Роздільний збір відходів. Забороняється утилізувати цей продукт разом зі звичайними побутовими відходами.

Якщо ви вирішите, що ваш виріб BLACK+DECKER необхідно замінити, або якщо ви не будете його більше використовувати, не утилізуйте його разом із побутовими відходами. Цей продукт підлягає роздільному збору відходів.



Роздільний збір використаних продуктів та пакувальних матеріалів дозволяє здійснювати їх вторинну переробку з подальшим повторним використанням. Використання матеріалів, що пройшли вторинну переробку, знижує забруднення навколишнього середовища та зменшує потребу в сировинних матеріалах.

Нормативні акти місцевих органів влади можуть передбачати збір використаних електричних виробів окремо від побутових відходів, в муніципальних пунктах збору відходів або в магазині при покупці нового обладнання.

Компанія BLACK+DECKER надає можливість для збору та повторної переробки продуктів BLACK+DECKER після закінчення терміну їх служби. Щоб скористатися перевагою цього сервісу, будь ласка, надішліть ваш продукт будь-якому уповноваженому представнику з ремонту, який збирає такі вироби від нашого імені.

Ви можете дізнатися адресу нашого найближчого уповноваженого представника з ремонту, зателефонувавши в регіональне представництво BLACK+DECKER, вказане в цій інструкції. Крім того, список уповноважених представників з ремонту BLACK+DECKER, детальну інформацію про обслуговування після продажу та контактні дані можна знайти на сайті: www.2helpU.com.

ІНФОРМАЦІЯ З ОБСЛУГОВУВАННЯ

BLACK+DECKER пропонує широку мережу авторизованих сервісних центрів, якими володіє компанія. Всі сервісні центри BLACK+DECKER укомплектовані навченим персоналом, який виконує ефективно і надійне сервісне обслуговування власників електричних інструментів. Для отримання більш докладної інформації про авторизовані сервісні центри, щоб отримати технічну пораду та з'ясувати питання ремонту й оригінальних запасних частин, зверніться до найближчого представництва BLACK+DECKER на електронну адресу www.blackanddecker.com

ТЕХНІЧНІ ДАНІ

	G650
Потужність	650 Вт
Діаметр диска	4-1/2"
Напруга	220–240 В~
50/60 Гц	
Швидкість холостого ходу	12000 об./хв.
Розмір шпінделя	5/8"-11 / M14
Довжина кабелю	2 м



Гарантійні умови

Шановний покупець!

1. Вітаємо Вас з покупкою високоякісного виробу BLACK + DECKER і висловлюємо вдячність за Ваш вибір.
2. При покупці виробу вимагайте перевірки його комплектності і справності у Вашій присутності, інструкцію за експлуатації та заповнений гарантійний талон українською мовою

В гарантійному талоні повинні бути внесені: модель, дата продажу, серійний номер, дата виробництва інструменту; назва, печатка і підпис торгової організації. За відсутності у Вас правильно заповненого гарантійного талону, а також при невідповідності зазначених у ньому даних ми будемо змушені відхилити Ваші претензії щодо якості даного виробу.

3. Щоб уникнути непорозумінь, переконливо просимо Вас перед початком роботи з виробом уважно ознайомитися з інструкцією з його експлуатації. Правовою основою справжніх гарантійних умов є чинне Законодавство. Гарантійний термін на даний виріб складає 24 місяці і обчислюється з дня продажу. У разі усунення недоліків виробу, гарантійний строк продовжується на період його перебування в ремонті. Термін служби виробу становить 5 років з дня продажу.
4. У разі виникнення будь-яких проблем у процесі експлуатації виробу рекомендуємо Вам звертатися тільки в уповноважені сервісні центри BLACK + DECKER, адреси та телефони яких Ви зможете знайти в гарантійному талоні, на сайті www.2helpU.com або дізнатися в магазині. Наші сервісні станції - це не тільки кваліфікований ремонт, але і широкий асортимент запчастин і аксесуарів.
5. Виробник рекомендує проводити періодичну перевірку і технічне обслуговування виробу в уповноважених сервісних центрах.
6. Наші гарантійні зобов'язання поширюються тільки на несправності, виявлені протягом гарантійного терміну і викликані дефектами виробництва та \ або матеріалів.
7. Гарантійні умови не поширюються на несправності виробу, що виникли в результаті:
- 7.1 Недотримання користувачем приписів інструкції з експлуатації виробу, застосування виробу не за призначенням, неправильного зберігання, використання приладдя, витратних матеріалів і запчастин, що не передбачені виробником.

- 7.2 Механічного пошкодження (відколи, тріщини і руйнування) внутрішніх і зовнішніх деталей виробу, основних і допоміжних рукояток, мережевого кабелю, що викликані зовнішнім ударним або будь-яким іншим впливом
- 7.3 Потрапляння у вентиляційні отвори та проникнення всередину виробу сторонніх предметів, матеріалів або речовин, що не є відходами, які супроводжують застосування виробу за призначенням, такими як: стружка, тирса, пісок, та ін.
- 7.4 Впливу на виріб несприятливих атмосферних і інших зовнішніх факторів, таких як дощ, сніг, підвищена вологість, нагрівання, агресивні середовища, невідповідність параметрів електромережі, що зазначені на інструменті.
- 7.5 Стихійного лиха. Пошкодження або втрати виробу, що пов'язані з непередбаченими лихами, стихійними явищами, у тому числі внаслідок дії непереборної сили (пожежа, блискавка, потоп і інші природні явища), а також внаслідок переладів напруги в електромережі та іншими причинами, які знаходяться поза контролем виробника.
8. Гарантійні умови не поширюються:
- 8.1. На інструменти, що піддавалися розкриттю, ремонту або модифікації поза уповноваженим сервісним центром.
- 8.2. На деталі, вузли та матеріали, що мають сліди природного зносу, такі як: приводні ремені і колеса, вугільні щітки, мастило, підшипники, зубчасті зчеплення редукторів, гумові ущільнення, сальники, направляючі ролики, муфти, вимикачі, бойки, штовхачі, стволи тощо.
- 8.3. На змінні частини: патрони, цанги, затискні гайки і фланці, фільтри, акумуляторні батареї, ножі, шліфувальні підшови, ланцюги, зірочки, пильні шини, захисні кожухи, пилки, абразиви, пильні і абразивні диски, фрези, свердла, бури тощо
- 8.4. На несправності, що виникли в результаті переважання інструменту (як механічного, так і електричного), що спричинили вихід з ладу одночасно двох і більше деталей і вузлів, таких як: ротора і статора, обох обмоток статора, веденої і ведучої шестерень редуктора або інших вузлів і деталей. До безумовних ознак переважання виробу відносяться, крім інших: поява кольорів мінливості, деформація або оплавлення деталей і вузлів виробу, потемніння або обвуглювання ізоляції проводів електродвигуна під впливом високої температури.



060

Виробник:
"Stanley BLACK+DECKER Deutschland GmbH" Black-&-Decker Str.40, D-65510 Idstein, Німеччина